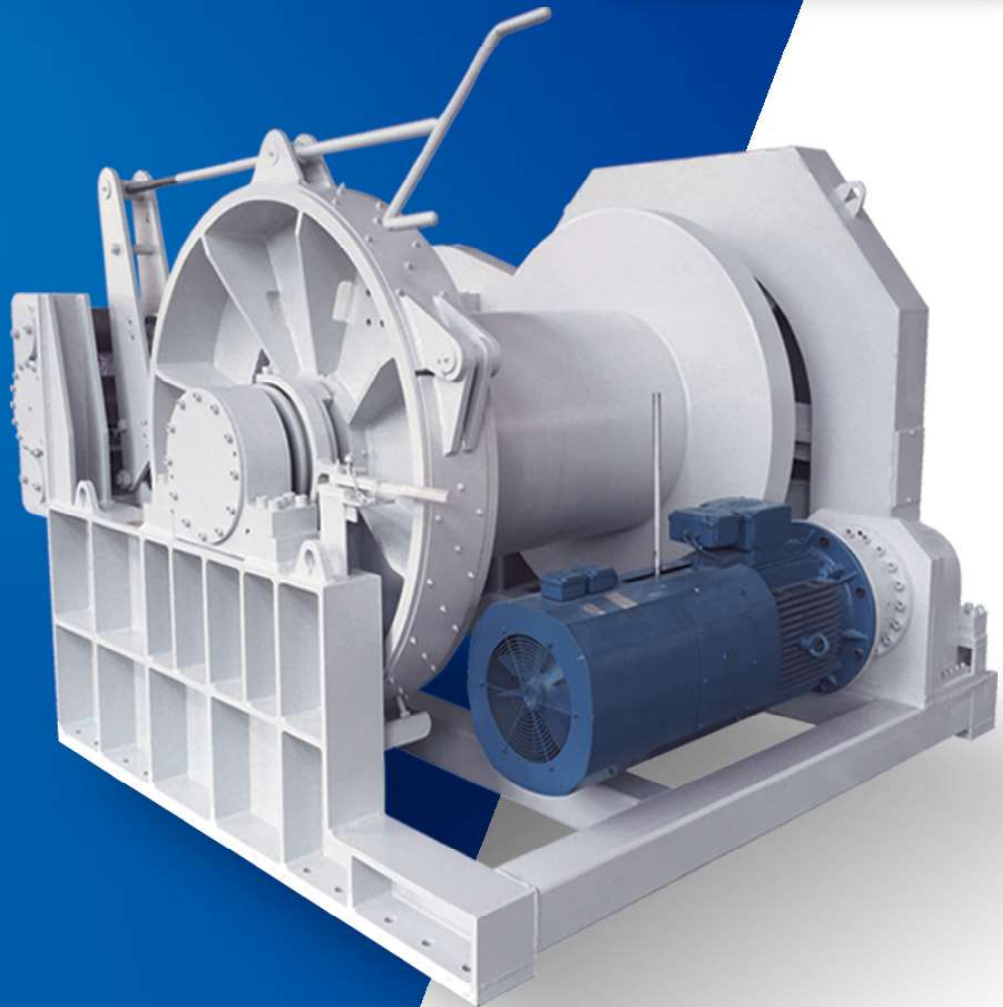


高品质 可靠 紧凑
High quality, Reliable ,Compact

液压绞车
Hydraulic Winch

电动绞车
Electric Winch

Winch
绞车





意宁液压股份有限公司，成立于1996年10月，注册资本10000万元人民币，总部位于宁波北仑，占地面积共约200余亩，厂房建筑面积共100000平方，现有员工400余人。

公司专业生产液压马达、液压泵、行星减速机、绞车、回转驱动装置及成套液压系统等系列产品，广泛应用于工程机械、海事、石油、煤矿、农林、渔业、冶金、园林、地质勘探、轻工、环保、军工等行业，并大量出口到东南亚、中东、美国、英国、意大利、奥地利、荷兰、澳大利亚、印度、巴西、俄罗斯等地区和国家。

公司拥有省级静液压驱动工程技术中心和数字化车间，拥有先进的生产加工设备和检测设备，并具有完善的管理体系。公司已通过ISO9001和CCSR9001、ISO14001环境体系、ISO45001职业健康安全体系认证、清洁生产认证、CCS船级社型式认证、CE认证和欧盟船用设备指令EC型式认证。

公司以“诚信、创新、品质、卓越、感恩、共赢”为核心价值观，致力于提供“高精度、高可靠性、高功率密度、低能耗”的高品质液压件。

- ◎ 国家专精特新“小巨人”企业
- ◎ 国家高新技术企业
- ◎ 两次承担国家火炬计划项目
- ◎ 承担国家重大科技成果产业化项目
- ◎ 浙江制造“品”字标认证企业
- ◎ 浙江省著名商标
- ◎ 2017年世界品牌峰会行业领军品牌
- ◎ 宁波市百家工业企业行业龙头骨干企业
- ◎ 获人民政府质量奖



The head office of INI HYDRAULIC CO.,LTD. is located in BEILUN district, Ningbo city. The company founded in October 1996, covers a total area of 133,333 sqm, with building area of 100,000 sqm. The register capital is USD 15,000,000. The company has 400 employees now.

INI specialize in manufacturing hydraulic pumps, hydraulic motors, winches, planetary reducers, slewing drives and whole set of hydraulic systems. These patented products are widely used in construction machinery, petroleum, coal mining, geological prospecting, marine, metallurgical, light industry, agriculture, and environmental protection. Our products are exported to Southeast Asia, Middle East, USA, UK, Italy, the Netherlands, Australia, Brazil, India, Russia, Austria and so on.

The company has provincial hydrostatic drive engineering technology center and digital workshop, with advanced production and processing equipment and testing equipment, has a perfect management system. The company has passed ISO9001 and CCSR9001, ISO14001 environmental system, ISO45001 Occupational Health and safety system certification, cleaner production certification, CCS Classification Society type certification, CE certification and European Union Marine Equipment Directive EC type certification.

With the core values of "integrity, innovation, quality, excellence, gratitude and win-win", the company is committed to provide high-quality hydraulic parts with "high precision, high reliability, low energy consumption and lightweight".

- ◎ National specialized and special "little giant" enterprises
- ◎ National high-tech enterprise
- ◎ Undertook the National Torch project twice
- ◎ Undertook the National major scientific and technological achievements industrialization project
- ◎ Zhejiang Manufacturing "Top quality" logo certification enterprise
- ◎ Famous trademark of Zhejiang Province
- ◎ Leading brand of 2017 World Brand Summit Industry
- ◎ Leading backbone enterprise of hundreds of industrial enterprises of Ningbo city
- ◎ Won the People's Government Quality Award



立足科技创新 Based on scientific and technological innovation

科技创新是公司的立厂之本，建厂 26 年来，公司始终坚持走自主创新之路。公司成立了省级静液压驱动工程技术中心，由创始人、董事长胡世璇（享受国务院特殊津贴的液压专家）带领，由博士、硕士、高工、工程师、助工等各层次、老中青相结合的研发团队，有强劲的研发实力。

现有 35 项发明专利，15 项实用新型专利，是浙江省专利示范企业、宁波市专利大户，宁波市技术创新示范企业。主持编制和参与编制了液压马达、行星减速机等 8 项行业标准和国家标准，两次承担国家火炬计划项目，研发项目曾先后获评省内、国内首台套，曾获中国专利优秀奖。

Scientific and technological innovation is the foundation of the company. The company has always adhered to the road of independent innovation since its establishment 26 years ago. The company has set up a provincial hydrostatic drive engineering technology center, led by the founder and chairman of the company, Hu Shixuan (a hydraulic expert enjoying the special allowance of The State Council). The R & D team is composed of doctors, masters, engineers, assistants and other levels, old, middle-aged and young people, which has a strong R & D strength.

Currently, it has 35 invention patents and 15 utility model patents. It is a patent demonstration enterprise of Zhejiang Province, a large patent holder and a technology innovation demonstration enterprise of Ningbo city. Presided over and participated in the compilation of 8 industrial standards and national standards such as hydraulic motor and planetary reducer, and undertook the national Torch Plan project twice. The research and development project has been awarded as the first set in the province and in China, and won the Excellence Award of China Patent.



因为专业 所以卓越



ini

精良装备 精湛工艺 精密检测 严格控制

Excellent equipment, exquisite technology, precise detection, strict control

质量是企业的生命，先进的加工和检测装备确保意宁产品的卓越品质。公司建立了数字化车间，引入马扎克、德马吉等先进数控装备及工业机器人，实现全自动化、无人化以及柔性制造。ERP集成MES、PLM等系统进行生产管理。

Quality is the life of enterprises, advanced processing and testing equipment to ensure the excellent quality of INI products. The company has established a digital workshops, the introduction of Mazak, DMG and other advanced CNC equipment and industrial robots, to achieve full automation, unmanned and flexible manufacturing. ERP integrates MES, PLM and other systems for production management.





产品 & 应用

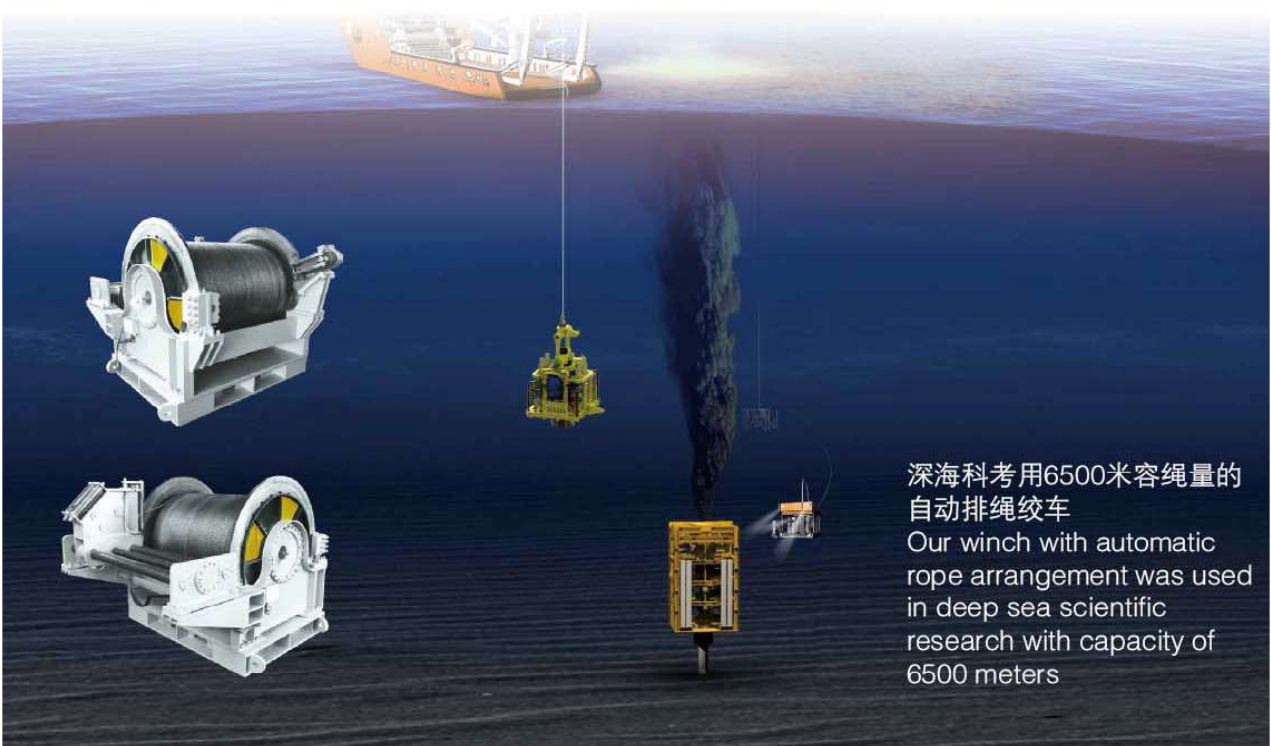
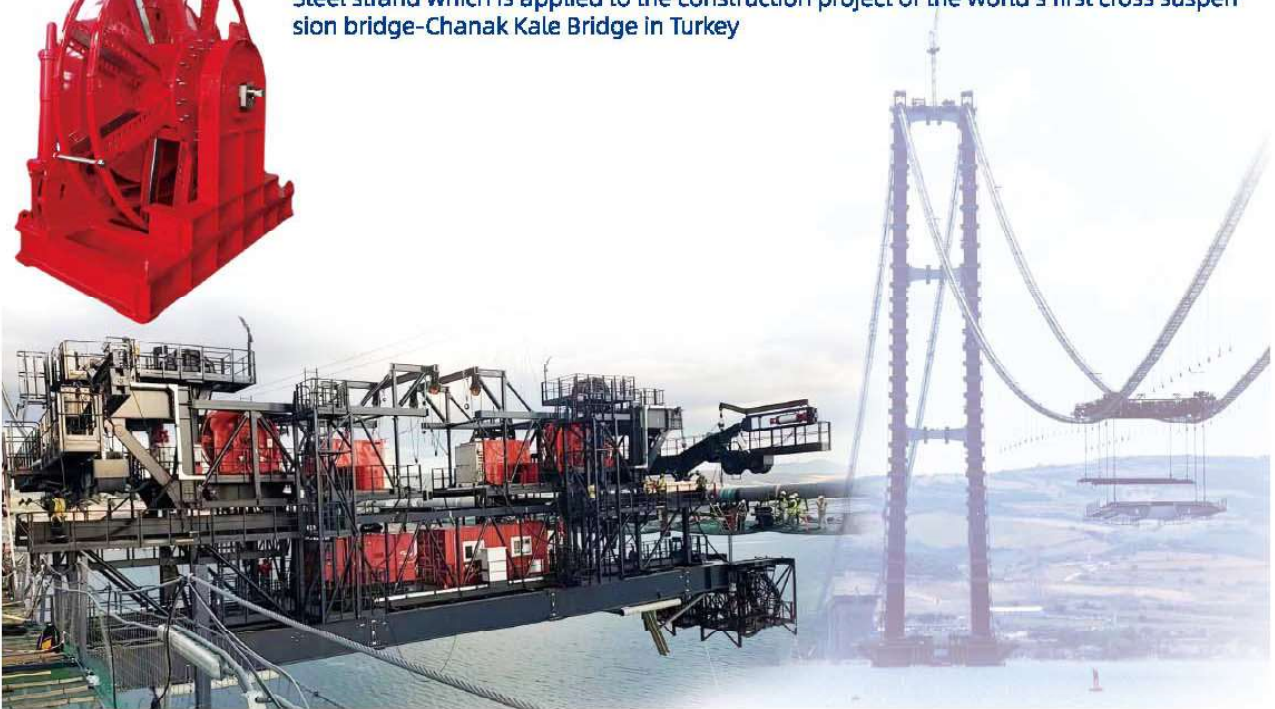
Product & Applications

ini[®]
意宁液压股份有限公司
INI HYDRAULIC CO.,LTD





钢绞线绞车配套于世界第一跨悬索桥--土耳其恰纳卡莱大桥建设项目
Steel strand which is applied to the construction project of the world's first cross suspension bridge-Chanak Kale Bridge in Turkey



深海科考用6500米容绳量的自动排绳绞车
Our winch with automatic rope arrangement was used in deep sea scientific research with capacity of 6500 meters

为全球首台“多吊机回转平台”提供传动装置、液压泵站及电器控制
Provide transmission drivers hydraulic power packs and electrical control facilities for the first “multi-crane slewing platform” in the world



为消防云梯车提供载人绞车
为“和平方舟”号等医疗船提供波浪补偿载人绞车
Provide a manned winch for the fire ladder truck
Provide wave compensation manned winches for medical vessels such as the "Peace Ark"



目录 CONTENTS

产品部分 / Product Part

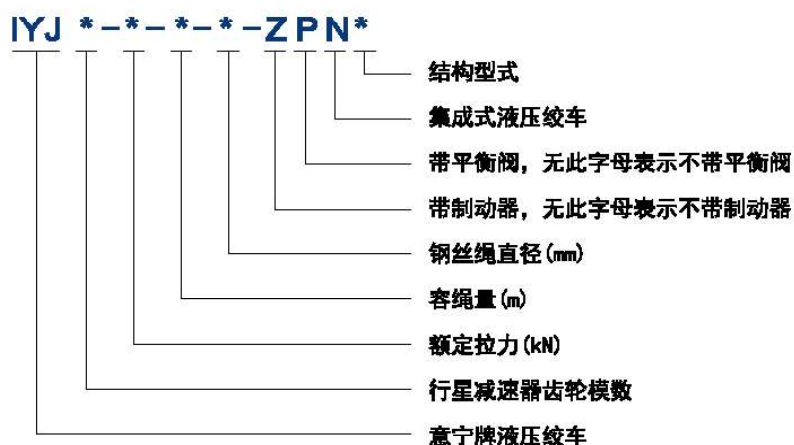
■ YJ-N系列集成式液压绞车 YJ-N Series Integrated Hydraulic Winch	01-04
■ YJ-L系列带自由落钩液压绞车 YJ-L Series Hydraulic Winch with Free Fall Function	05-13
■ YJ-ZZ系列双制动载人液压绞车 YJ-ZZ Series Manned Hydraulic Winch with Dual Brakes	14-22
■ IDJ系列电动绞车 IDJ Series Electric Winch	23-31
■ HW系列车用绞盘 HW Series Winch for Vehicle	32-35
■ I*J-C系列系泊绞车 I*J-C Series Mooring Winch	36-59
■ I*JP系列船用绞盘 I*JP Series Winch for Marine	60-70
■ YM系列液压起锚绞车 YM Series Hydraulic Anchor Winch	71-77
■ 其它各类船用绞车 Other Ship Application Winch Series	78-82

● IYJ-N 系列集成式液压绞车

1. 概述

IYJ-N系列集成式液压绞车是由本公司自主研发，已申请多项发明和实用新型专利，并获得“浙江制造”品牌认证。绞车主要由轴向柱塞马达、Z型液压常闭多片式制动器、KC型行星减速器、机架、卷筒、支承轴等组成。并可根据各种工况要求带不同的配流器，配流器中集成了相应的液压阀，如平衡阀、过载阀、高压检阀等。该系列绞车具有结构紧凑、体积小、重量轻、外形美观等特点，在性能方上则具有安全性好、低速稳定性好、噪音小，操作可靠等特点，该产品主要用在随车起重机、汽车起重机、高空作业车等设备中，产品不但畅销三一重工等国内企业，并已出口到美国、奥地利、俄罗斯、澳大利亚、荷兰、印尼、韩国等国家。

2. 型号说明



3. 型号举例

IYJ22-20-55-10-ZPND表示行星减速器一级、二级齿轮模数分别为2、2，绞车额定拉力为20kN，容绳量为55m，钢丝绳直径为10mm，带多片盘式制动器和平衡阀的单速集成式液压绞车。

4. 参数说明

- a. 总排量是指卷筒每转所需供给的理论供油流量(ml/r)。
- b. 供油流量是指泵的理论供油流量，即在考虑系统容积效率在0.85 ~ 0.94情况下的计算值(L/min)。
- c. 容绳量为绞车的理论容绳量，实际允许的有效容绳量应考虑卷筒最少保留3圈钢丝绳，以防绳头脱出。
- d. 此绞车不允许载人提升或下放。

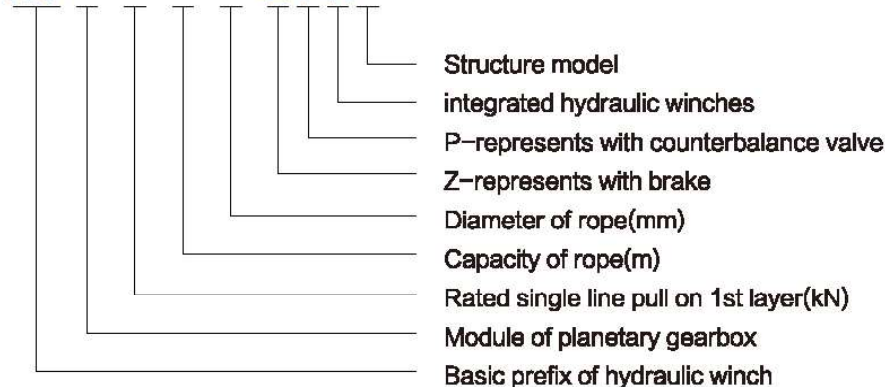
● IYJ-N Series Integrated Hydraulic Winches

1. Brief Introduction

IYJ-N series integrated hydraulic winches is independently developed by our company, has applied for a number of inventions and utility model patents, and obtained the "Made in Zhejiang" brand certification. And they are mainly consist of axial piston hydraulic motor, Z type hydraulic multi-disc brake and C type or KC type planetary gearbox, clutch, drum, support shaft, frame. hydraulic motor can choose different distributor according to the working conditions, such as counterbalance valve, overload valve, shuttle valve, speed control directional valve and other functions' valve. This series winches featured compact and elegant figure, small size and lightweight, and a high efficiency and power, low noise and good operating performance. Therefore, the series hydraulic winches have been widely used in mobile crane, vehicle crane, aerial platform, tracked vehicle and so on. IYJ series integrated hydraulic winches have been well sold in China company such as SANY, and also have been exported to the USA, Japan, Australia, Russia, Austria, Netherlands, Indonesia, Korea and other areas in the world.

2. Model Options

IYJ*-*-*-*ZPN*



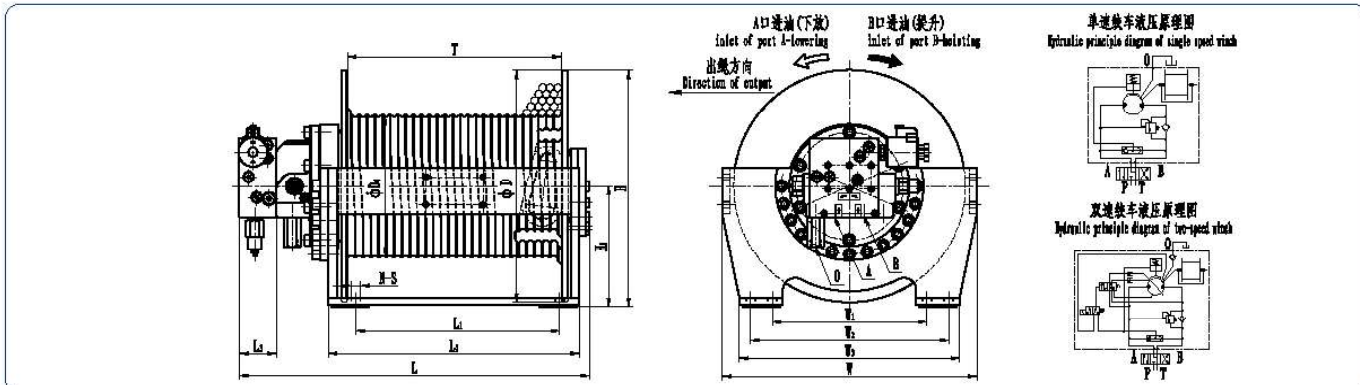
3. Options Example

IYJ22-20-55-10-ZPND represents that the hydraulic winch adopts two levels planetary gearbox, and the modules of the gearbox are 2 and 2 respectively, the rated single pull on 1st layer is 20KN, drum capacity is 55m, rope diameter is 10mm, Single speed integrated hydraulic winch with brake and balance valve.

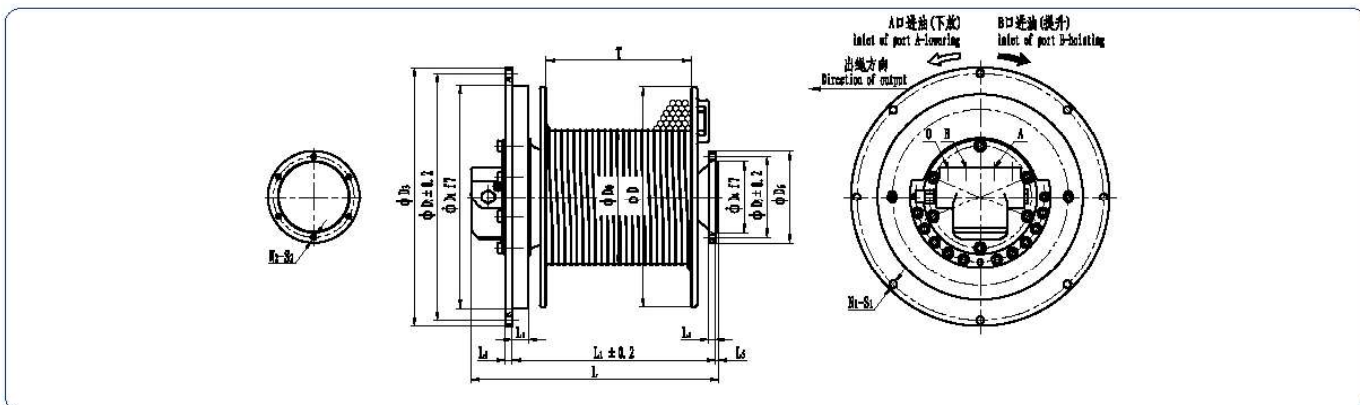
4. Parameter Description

- Total displacement represents the capacity of oil supply per revolution.
- Flow of oil supply indicates theoretical flow of pump when the volumetric efficiency is considered as 85%–94%.
- Drum capacity is theoretical drum capacity. The practical available capacity of rope should subtract the retained 3m wire in case of rope head is out of hand.
- This winch can't be used to carry people.

● IYJ-N

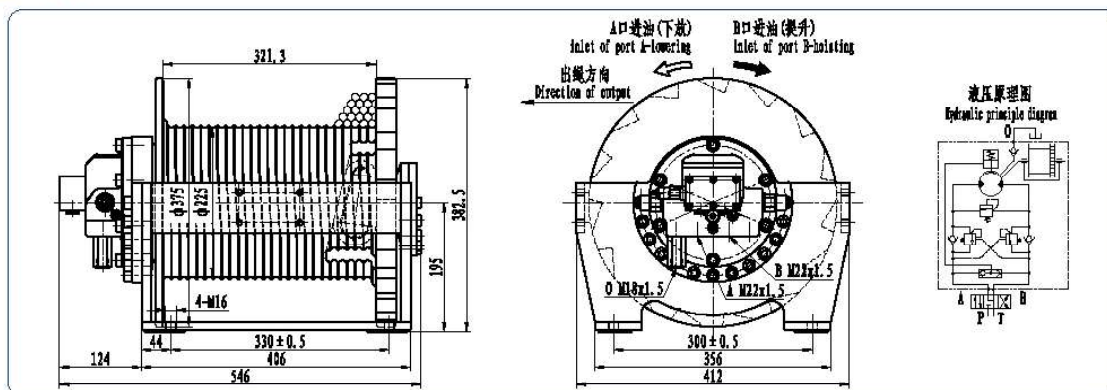


系列代号 Serial code	第一层拉力 The 1st Layer Pull		第一层绳速 The 1st Layer Rope Speed		总排量 Displacement		工作压力 Working pressure (MPa)	供油流量 Supply oil flow (L/min)	钢丝绳 直径 Diameter of rope (mm)	层数 Layer	容绳量 Capacity of rope (m)	减速器 传动比 Gearbox ratio	外形尺寸及油口规格 Overall dimensions and oil ports specifications																
	重载 Heavy load (kN)	轻载 Slight load (kN)	重载 Heavy load (m/min)	轻载 Slight load (m/min)	重载 Heavy load (ml/r)	轻载 Slight load (ml/r)							D ₀	D	T	L ₁	L ₂	L ₃	L	W ₁	W ₂	W ₃	W	H ₁	H	N	S	A, B	O
IYJ11-ND	3~12	-	10~50	-	337~515	-	10~30	10~42	5~10	4	55	19.81	165	230	144	160	212	0	301	-	192	230	250	120	235	4	Φ11	M22x1.5	M18x1.5
IYJ22-NA	10~20	-	10~40	-	810	-	10~25	6~30	10	5	75	45	185	305	218	200	289	0	337	-	260	300	315	160	313	4	M16	G3/4"	G1/2"
IYJ22-NB	10~20	3~8	8~25	20~60	810	405	10~25	6~30	8~11	3	28	45	184	279	168	160	245	138	383	-	230	270	295	150	289	4	M16	G1/2"	G3/8"
IYJ22-ND	10~25	-	10~40	-	480~763	-	16~25	9~57	8~12	5	55	21.86	172	279	173	178	261	0	357	-	200	249	310	146	286	4	Φ14	M22x1.5	M18x1.5
IYJ2.52.5-NA	25~40	-	8~36	-	900~1429	-	16~26	25~60	12~13	4	72	40.93	210	340	295	260	380	0	476	-	260	320	376	180	350	4	Φ17	M22x1.5	M18x1.5
IYJ2.52.5-NB	25~40	5~15	8~36	20~60	900~1429	450~929	16~26	25~60	12	5	122	40.93	225	375	347	330	406	60	566	-	300	356	412	195	383	4	M16	M22x1.5	M18x1.5
IYJ2.52.5-NC	15~30	-	10~45	-	844~1133	-	15~25	25~60	12	5	122	32.45	225	375	284	230	342	0	442	-	300	356	412	195	383	4	M16	M22x1.5	M18x1.5
IYJ2.52.5-ND	15~30	-	10~45	-	844~1133	-	15~25	25~60	12	5	122	32.45	225	375	347	330	406	0	506	-	300	356	412	195	383	4	M16	M22x1.5	M18x1.5
IYJ2.52.5-NE	15~25	-	10~45	-	844~1133	-	15~25	25~60	10	4	65	32.45	225	350	246	200	300	0	404	-	260	320	350	183	358	4	M16	M22x1.5	M18x1.5
IYJ2.52.5-NG	30~45	10~20	11~43	20~76	1817~2124	1089~1162	18~25	30~90	12	4	122	40.93	225	375	347	330	406	178	603	-	300	356	412	195	383	4	M16	M22x1.5	M18x1.5
IYJ33-NB	40~60	10~20	15~45	30~90	2177~2438	1064~1550	20~26	45~124	14	5	124	27.93	256	438	382	375	485	0	633	-	350	420	476	230	449	4	M24	G3/4"	G1/2"
IYJ33-ND	40~60	-	12~46	-	2618~2933	-	18~26	45~124	16	4	120	33.6	320	510	418	360	519	0	678	250	410	458	558	267	522	8	Φ26	G3/4"	G1/2"

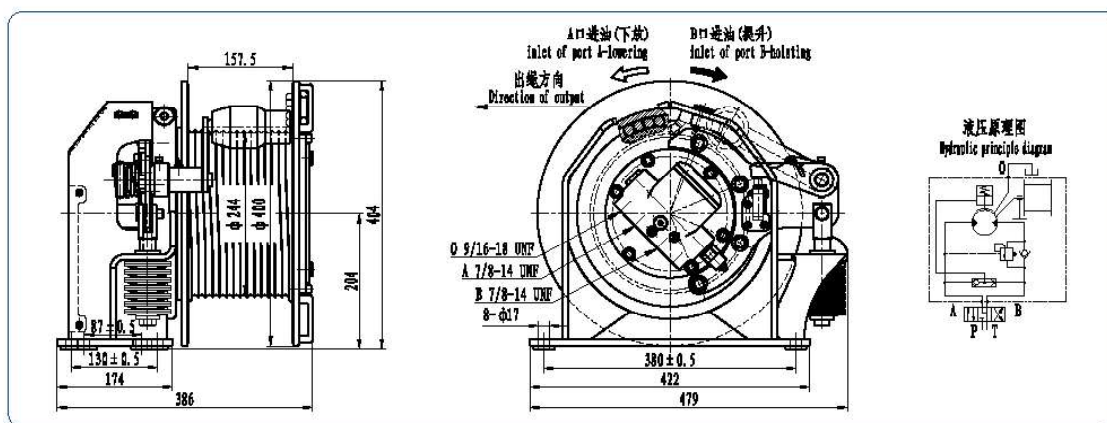


系列代号 Serial code	第一层 拉力 Pull		总排量 Total displacement (ml/r)	工作压力 Working pressure (MPa)	供油流量 Supply oil flow (L/min)	钢丝绳 直径 Diameter of rope (mm)	层数 Layer	容绳量 Capacity of rope (m)	减速器 传动比 Gearbox ratio	外形尺寸及油口规格 Overall dimensions and oil ports specifications																				
	绳速 Rope speed (m/min)	轻载 Slight load (kN)								D ₀	D	T	L ₁	L ₂	L ₃	L ₄	L ₅	L	D ₁	D ₂	D ₃	D ₄	D ₅	D ₆	N ₁	S ₁	N ₂	S ₂	A, B	O
IYJ11-NP	5~12	3~12	435~602	8~24	10~42	8	4	43	19.81	165	246	152	216	10	20	9	7	313	196	210	224	80	96	110	9	M8	9	M8	M22x1.5	M18x1.5
IYJ22-NP	10~25	10~40	480~763	15~25	9~57	10	6	83	21.86	172	325	196	273	10	30	15	10	374	330	355	375	77	95	110	12	Φ11	12	M8	M22x1.5	M18x1.5
IYJ2.52.5-NP	15~25	12~45	844~1133	15~25	20~60	10	6	126	32.45	225	375	247	346	12	28	12	5	421	380	420	440	122	138	156	8	Φ13	6	M10	M22x1.5	M18x1.5
IYJ33-NP	40~60	12~46	2618~2933	18~26	18~26	14	5	124	33.6	320	500	330	431	20	18	18	18	580	270	300	325	182	206	233	12	Φ17	11	Φ15	G3/4"	G1/2"

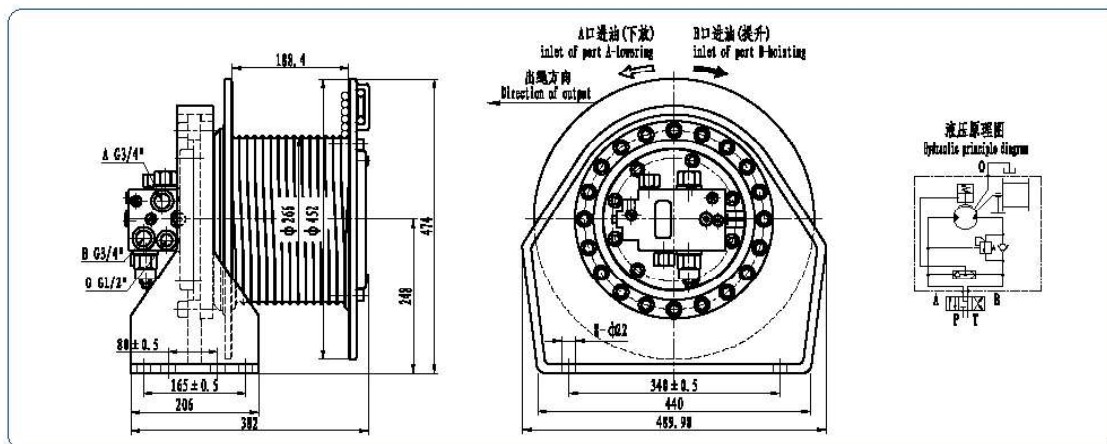
● IYJ-N



系列代号 Serial code	第一层拉力 The 1st Layer Pull (kN)	第一层绳速 The 1st Layer speed (m/min)	总排量 Total displacement (ml/r)	工作压力 Working pressure (MPa)	供油流量 Supply oil flow (L/min)	钢丝绳直径 Diameter of rope (mm)	层数 Layer	容绳量 Capacity of rope (m)	减速器传动比 Gearbox ratio
IYJ22.52-5-ND	25~40	8~36	900~1429	16~26	25~60	12	5	115	40.93



系列代号 Serial code	第一层拉力 The 1st Layer Pull (kN)	第一层绳速 The 1st Layer speed (m/min)	总排量 Total displacement (ml/r)	工作压力 Working pressure (MPa)	供油流量 Supply oil flow (L/min)	钢丝绳直径 Diameter of rope (mm)	层数 Layer	容绳量 Capacity of rope (m)	减速器传动比 Gearbox ratio
IYJ22.75-ND	15~25	20~52	962.5	16~26	27~70	10	6	80	32.63



系列代号 Serial code	第一层拉力 The 1st Layer Pull (kN)	第一层绳速 The 1st Layer speed (m/min)	总排量 Total displacement (ml/r)	工作压力 Working pressure (MPa)	供油流量 Supply oil flow (L/min)	钢丝绳直径 Diameter of rope (mm)	层数 Layer	容绳量 Capacity of rope (m)	减速器传动比 Gearbox ratio
IYJ23-ND	25~50	20~50	1435~1810	20~30	36~90	14	6	80	20.8

● IYJ-L系列带自由落钩液压绞车

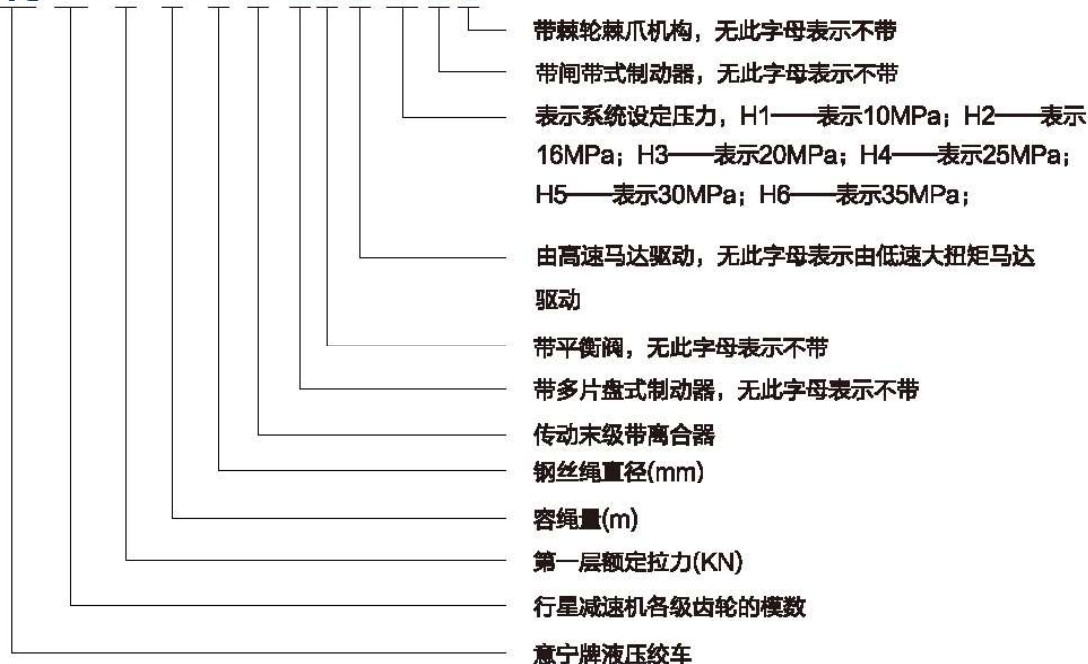
1. 概述

IYJ-L系列液压绞车由带单向平衡阀及控制制动器的高压梭阀组成的各种集成阀块、液压马达、Z型制动器、行星减速器、卷筒、机架以及离合器等部件组成，用户只需配备泵站和换向阀即可。由于绞车自带阀组，它不但简化了液压系统而且提高了传动装置的工作可靠性。当配双速马达时，绞车具有可调的两档速度。当采用轴向柱塞马达时，可使绞车的工作压力提高，从而可以提高驱动功率，可适用于大功率绞车。

IYJ-L型液压绞车在提升和下放工作中运转平稳，绞车末级带离合器（本公司发明专利），因而具有自由下放功能。绞车外形美观、尺寸紧凑、经济性好，可广泛用于吊管机、履带吊、汽车起重机、抓斗卷扬机、重力破碎机等起重设备中，该产品现已批量生产，不但在国内广泛应用，并出口到中东、印度、非洲、俄罗斯、荷兰等国家和地区。

2. 型号说明

IYJ ** - * - * - * - L - Z P G H * D S



3. 型号举例

IYJ34-75-88-22-L-ZPGH4表示行星减速器一级齿轮模数为3，二级齿轮模数依次为4，绞车第一层额定拉力为75KN，容绳量为88m，钢丝绳直径为22mm，末级传动带离合器、带多片盘式制动器及单向平衡阀，用高速马达驱动系统设定压力为25MPa的意宁牌液压绞车。

● IYJ-L Series Hydraulic Winch with Free Fall Function

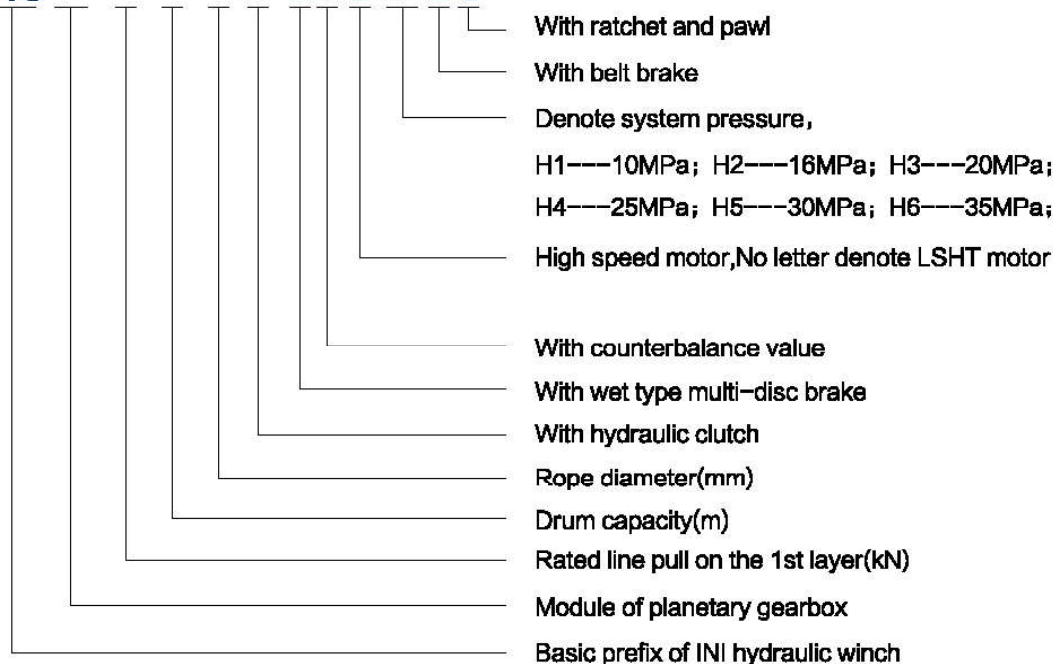
1. Brief Introduction

The IYJ-L series hydraulic winch consist of planetary gearbox,hydraulic motor,wet type brake,various valve blocks of single counterbalance vavle and shuttle valve,drum,frame and hydraulic control clutch.So the series not only simplified hyaulic system design,but also improved reliability and durability . The series could get two speed control if fitted with variable displacement two speed hydraulic motor.When fitted with hydraulic axial piston motor, the working pressure and drive power of the series could be greatly improved.

The IYJ-L series hydraulic winch feature smooth performance in hoisting and lowering.The final stage of the series is fitted with hydraulic clutch (invention patent of our company) to get free fall function . The winch series have long life , compact design and good economy . Therefore the series have been widely applied in pipe laying machine , crawler cranes, vehicle cranes,grab bucket cranes,crushers.The series not only widely have been used in domestic market,but also have been exported to Middle East,India,Africa,Russia and Netherlands and so on.

2. Model Options

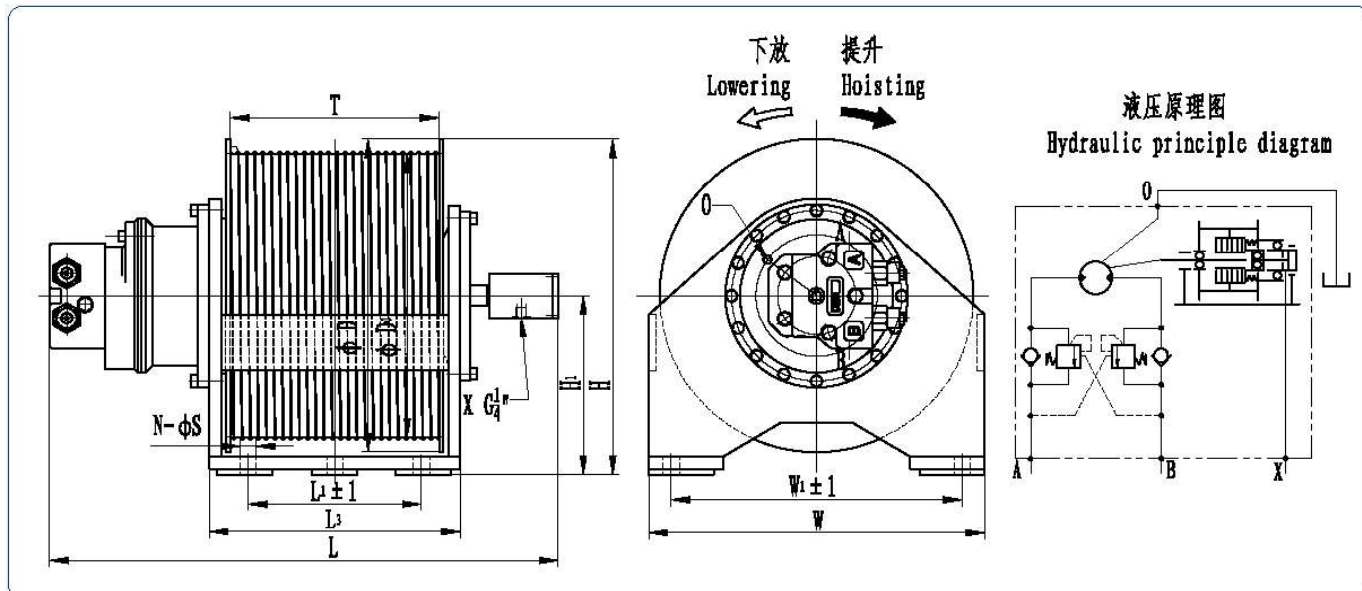
IYJ ** - * - * - * - L - Z P G H * D S



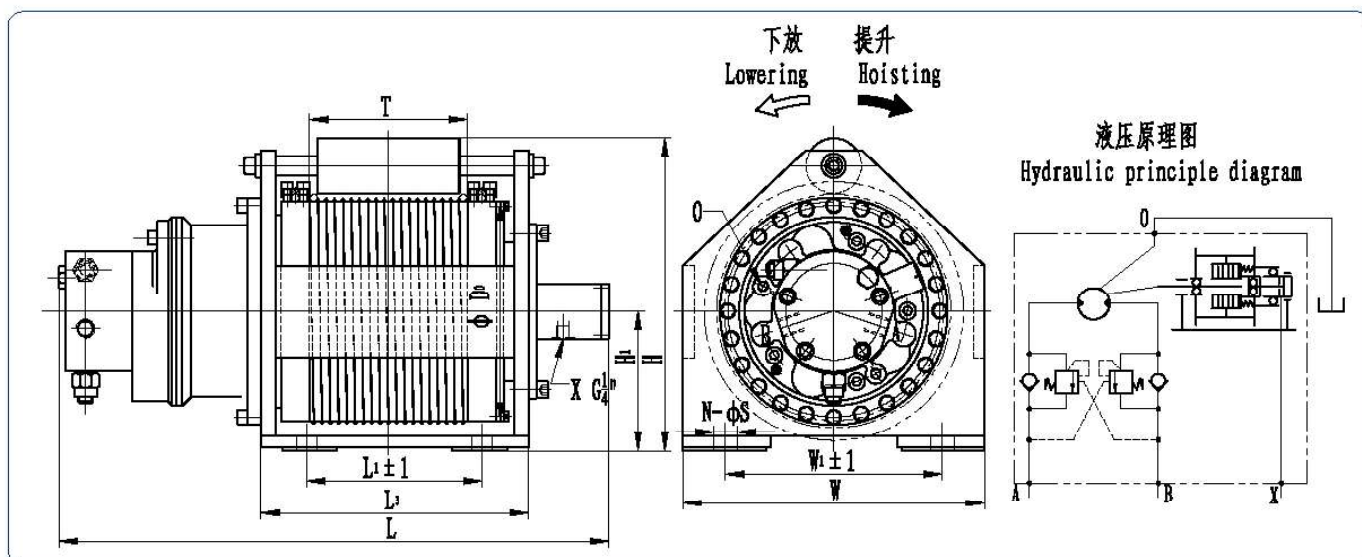
3. Options Example

IYJ34-75-88-22-L-ZPGH4 type represents that the planetary gearbox has 2 stages with module 3 and 4 respectively. The line pull on the 1st layer is 75kN with drum capacity of 88m and a rope diameter of 22mm. The winch is fitted with a piston motor, parking brake, single counterbalance valve, and hydraulic clutch. The winch system pressure is 25MPa.

● IYJ-L

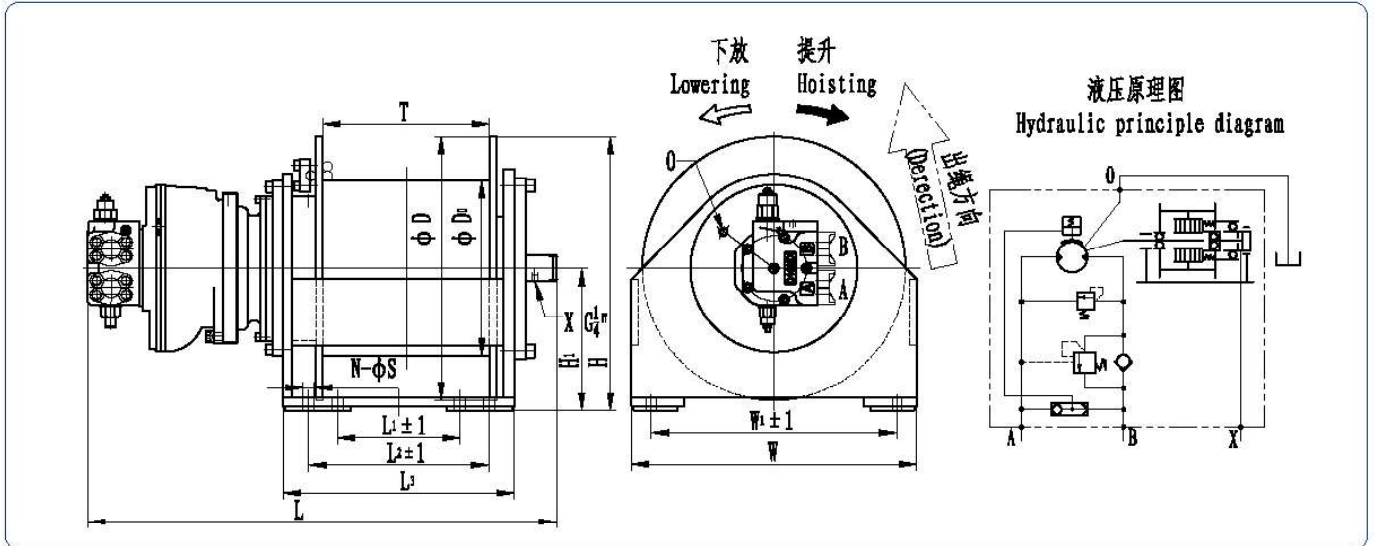


系列代号 Serial code	第一层拉力 The 1st Layer Pull (kN)	第一层绳速 The 1st Layer Rope Speed (m/min)	总排量 (ml/r) Displacement	系统压力 System pressure (MPa)	供油流量 Supply oil flow (L/min)	钢丝绳直径 Diameter of rope (mm)	层数 Layer	容绳量 Capacity of rope (m)	减速器传动比 Gearbox ratio	离合器完全开启压力 Clutch opening pressure (MPa)	外形尺寸及油口规格 Overall dimensions and oil ports specifications																
											D ₀	D	T	L ₁	L ₂	L ₃	L	W ₁	W ₂	W ₃	W	H ₁	H	N	S	A, B	O
IYJ2.5-L	6	90	1337	10	100	10	1	30	7	8.5	380	420	280	232	-	336	682	390	-	-	450	240	450	6	φ22	M33x2	G1/4"
	10	45	1337	13	100	10	1	30	7	8.5	380	420	280	232	-	336	682	390	-	-	450	240	450	6	φ22	M33x2	G1/4"
	15	30	1337	18	100	10	1	30	7	8.5	380	420	280	232	-	336	682	390	-	-	450	240	450	6	φ22	M33x2	G1/4"

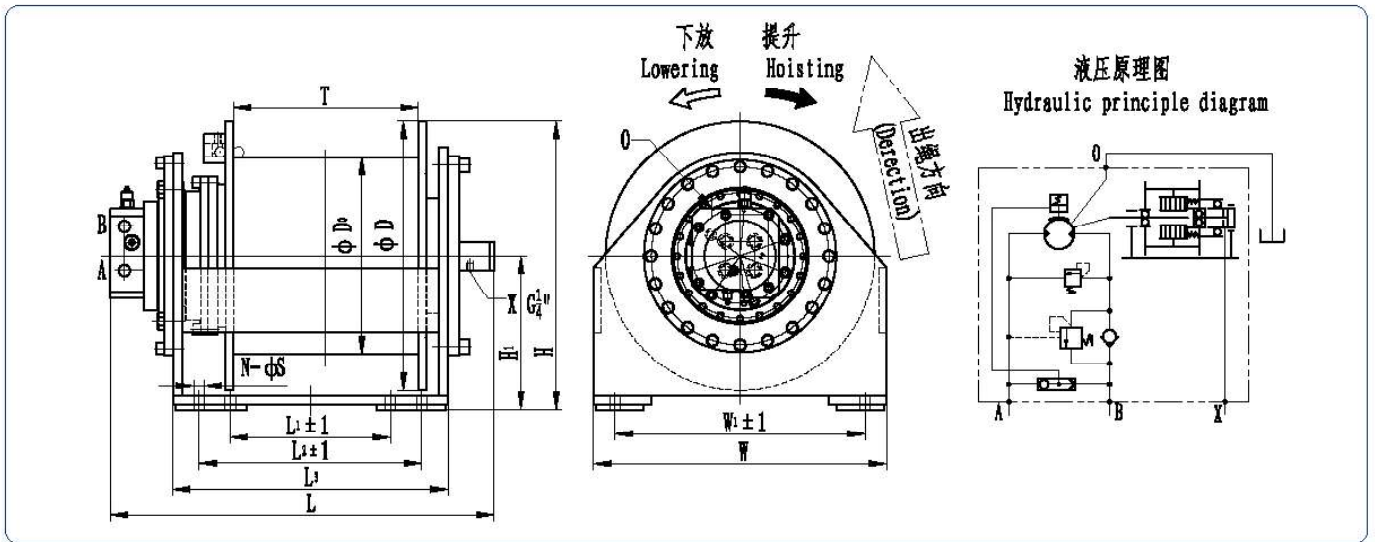


系列代号 Serial code	第一层拉力 The 1st Layer Pull (kN)	第一层绳速 The 1st Layer Rope Speed (m/min)	总排量 (ml/r) Displacement	系统压力 System pressure (MPa)	供油流量 Supply oil flow (L/min)	钢丝绳直径 Diameter of rope (mm)	层数 Layer	容绳量 Capacity of rope (m)	减速器传动比 Gearbox ratio	离合器完全开启压力 Clutch opening pressure (MPa)	外形尺寸及油口规格 Overall dimensions and oil ports specifications																
											D ₀	D	T	L ₁	L ₂	L ₃	L	W ₁	W ₂	W ₃	W	H ₁	H	N	S	A, B	O
IYJ2.5-L	7.7	46	709.5	12	46	8	1	10	5.5	5.5	238	-	171	190	-	290	560	235	-	-	327	152	340	4	φ22	G1"	G1/4"

● IYJ-L

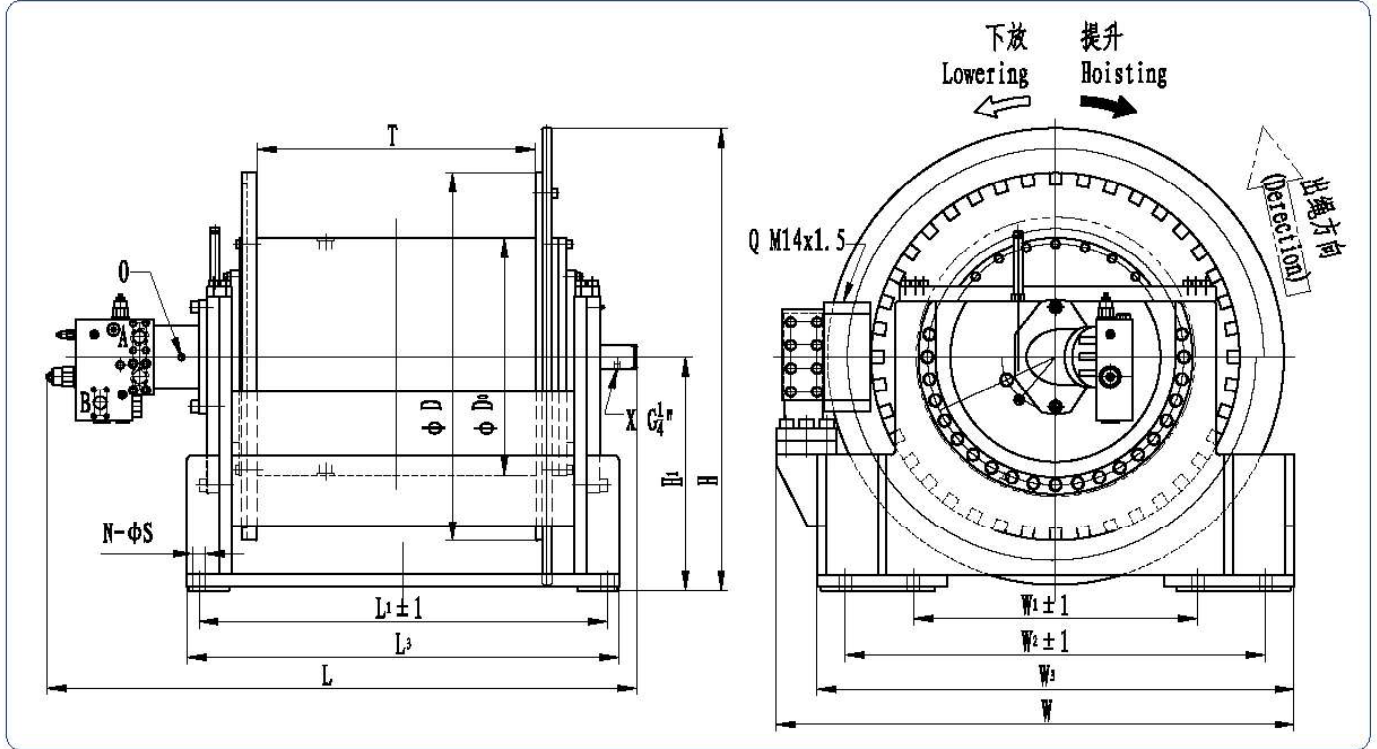


系列代号 Serial code	第二层拉力 The 2nd Layer Pull (kN)	第二层绳速 The 2nd Layer Rope Speed (m/min)	总排量 (ml/r) Displacement	系统压力 (MPa) System pressure	供油流量 (L/min) Supply oil flow	钢丝绳直径 (mm) Diameter of rope	层数 Layer	容量 (m) Capacity of rope	减速器传动比 Gearbox ratio	离合器完全开启压力 (MPa) Clutch opening pressure	外形尺寸及油口规格 Overall dimensions and oil ports specifications																
											D ₀	D	T	L ₁	L ₂	L ₃	L	W ₁	W ₂	W ₃	W	H ₁	H	N	S	A, B	O
IYJ4-L	30	50	3272.5	18	126	20	2	50	5.5	7.5	400	600	462	362	492	610	1098	560	-	-	650	325	625	8	φ22	φ25	G1/2"
	50	50	5544	18	202	22	2	40	7	7.5	400	600	380	280	410	528	1106	560	-	-	650	325	625	8	φ22	φ40	G1/2"
	70	24	7238	20	129	22	2	45	5.5	7.5	400	600	380	280	410	528	1106	560	-	-	650	325	625	8	φ22	φ25	G1/2"
	95	22	11038.5	16	185	22	2	45	5.5	7.5	400	600	380	280	410	528	1106	560	-	-	650	325	625	8	φ22	φ25	G1/2"

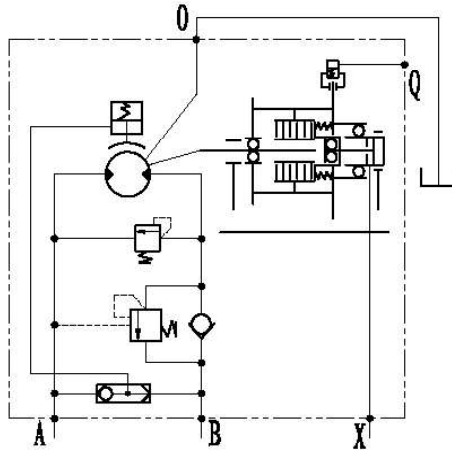


系列代号 Serial code	第一层拉力 The 1st Layer Pull (kN)	第一层绳速 The 1st Layer Rope Speed (m/min)	总排量 (ml/r) Displacement	系统压力 (MPa) System pressure	供油流量 (L/min) Supply oil flow	钢丝绳直径 (mm) Diameter of rope	层数 Layer	容量 (m) Capacity of rope	减速器传动比 Gearbox ratio	离合器完全开启压力 (MPa) Clutch opening pressure	外形尺寸及油口规格 Overall dimensions and oil ports specifications																
											D ₀	D	T	L ₁	L ₂	L ₃	L	W ₁	W ₂	W ₃	W	H ₁	H	N	S	A, B	O
IYJ33-L	50	25	3963.42	23	80	22	1	23	45.4	7.5	410	560	385	333	463	573	794	520	-	-	610	320	600	8	φ22	G3/4"	G1/2"
IYJ333-L	60	40	4063.9	24	150	20	3	80	72.57	7.5	380	560	437	440	-	601	923	480	-	-	616	320	600	4	φ32	φ20	M18x1.5
	80	40	4063.9	32	150	20	3	80	72.57	7.5	380	560	437	440	-	601	923	480	-	-	616	320	600	4	φ32	φ20	M18x1.5

● IYJ-L

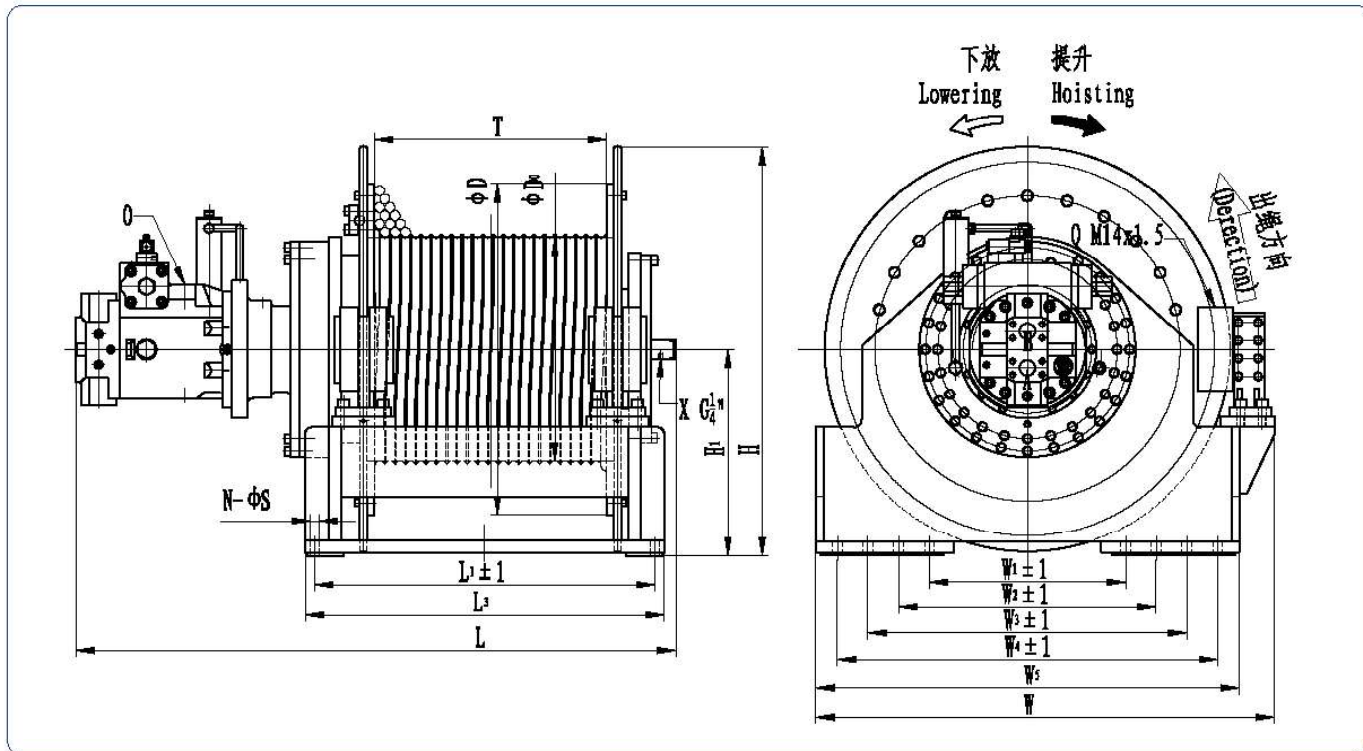


液压原理图
Hydraulic principle diagram

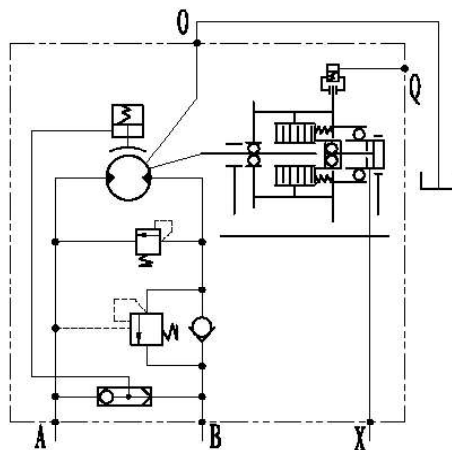


系列代号 Serial code	第一层拉力 The 1st Layer Pull (kN)	第一层绳速 The 1st Layer Rope Speed (m/min)	总排量 (ml/r) Displacement	系统压力 System pressure (MPa)	供油流量 Supply oil flow (L/min)	钢丝绳直径 Diameter of rope (mm)	层数 Layer	容量 Capacity of rope (m)	减速机传动比 Gearbox ratio	离合器完全开启压力 Clutch opening pressure (MPa)	外形尺寸及油口规格 Overall dimensions and oil ports specifications																
											D ₀	D	T	L ₁	L ₂	L ₃	L	W ₁	W ₂	W ₃	W	H ₁	H	N	S	A, B	O
IYJ46-L	100	90	9154.3	28	478	26	4	200	50.86	7.5	595	920	696	1020	-	1080	1475	710	1050	1192	1295	585	1155	8	φ32	φ32	M22xL.5
	120	76	11047.2	28	478	28	4	200	61.37	7.5	595	920	691	1020	-	1080	1475	710	1050	1192	1295	585	1155	8	φ32	φ32	M22xL.5
IYJ4.57-L	150	80	12937.5	30	556	28	4	230	51.75	7.5	630	950	750	700	-	1087	1600	840	1040	1200	1305	600	1180	8	φ32	φ32	M22xL.5
	160	76	12937.5	32	530	28	4	230	51.75	7.5	630	950	750	700	-	1087	1600	840	1040	1200	1305	600	1180	8	φ32	φ32	M22xL.5

● IYJ-L

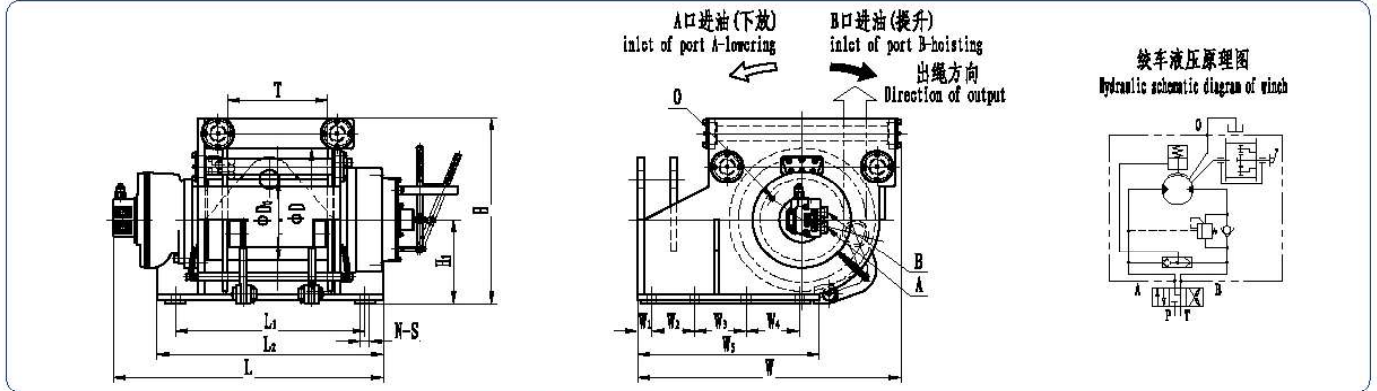


液压原理图
Hydraulic principle diagram

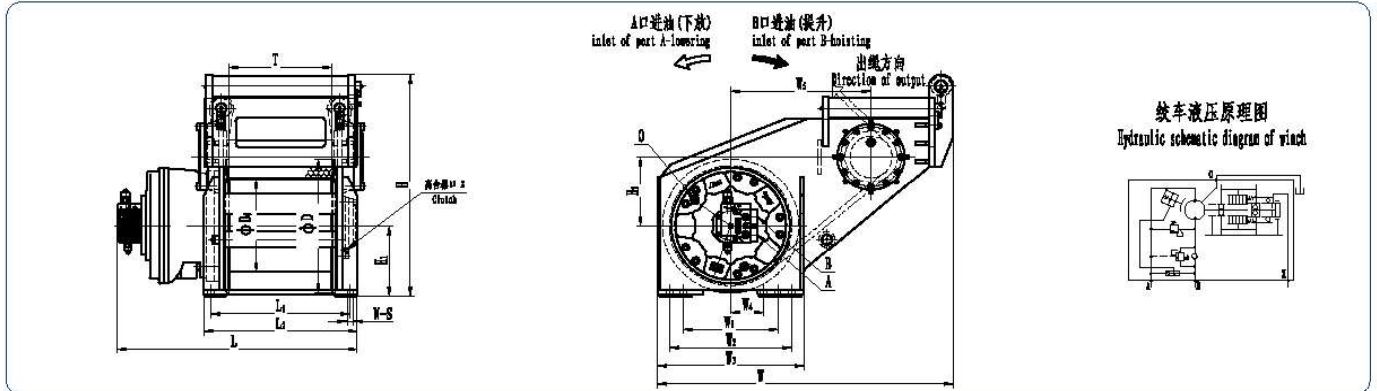


系列代号 Serial code	第一层拉力 The 1st Layer Full (kN)	第一层绳速 The 1st Layer Rope Speed (m/min)	总排量 (ml/r) Displacement	系统压力 System pressure (MPa)	供油流量 Supply oil flow (L/min)	钢丝绳直径 Diameter of rope (mm)	层数 Layer	绳容量 Capacity of rope (m)	减速机传动比 Gearbox ratio	离合器完全开启压力 Clutch opening pressure (MPa)	外形尺寸及油口规格 Overall dimensions and oil ports specifications																		
											D ₀	D	T	L ₁	L ₂	L ₃	L	W ₁	W ₂	W ₃	W ₄	W ₅	W	H ₁	H	N	S	A, B	O
IYJ577-L	160	68	17400	30	550	32	5	900	87	5	730	1080	756	1110	-	1170	1958	640	840	1040	1240	1380	1495	675	1335	16	φ32	φ32	M26x1.5
	200	64	26600	24	785	32	5	900	53.2	5	730	1080	756	1110	-	1170	1958	640	840	1040	1240	1380	1495	675	1335	16	φ31	φ50	M40x2
	250	64	26600	30	785	32	5	900	53.2	5	730	1080	756	1110	-	1170	1958	640	840	1040	1240	1380	1495	675	1335	16	φ32	φ50	M40x2
	300	40	30885	30	574	32	5	900	87	5	730	1080	756	1110	-	1170	1958	640	840	1040	1240	1380	1495	675	1335	16	φ32	φ38	M42x2

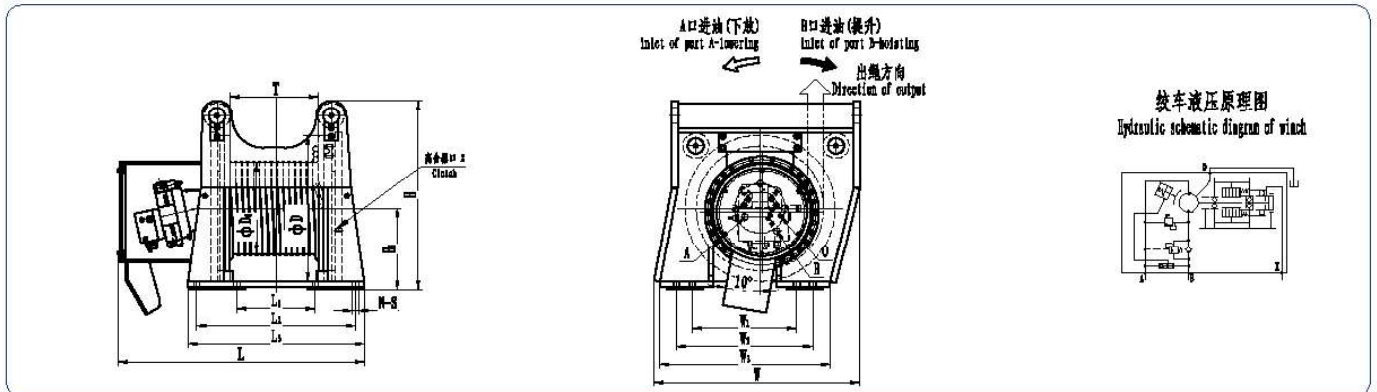
● IYJ-L



系列代号 Serial code	第一层拉力 The 1st Layer Pull		第一层绳速 The 1st Layer Rope Speed		总排量 Displacement		工作压力 Working pressure (MPa)	供油流量 Supply oil flow (L/min)	钢丝绳直径 Diameter of rope (mm)	层数 Layer	容量 Capacity of rope (m)	减速机传动比 Gearbox ratio	外形尺寸及油口规格 Overall dimensions and oil ports specifications																				
	重载 Heavy load (kN)	轻载 Slight load (kN)	重载 Heavy load (m/min)	轻载 Slight load (m/min)	重载 Heavy load (ml/r)	轻载 Slight load (ml/r)							D ₀	D	T	L ₁	L ₂	L ₃	L	W ₁	W ₂	W ₃	W ₄	W ₅	W	H ₁	H ₂	H	N	S	A	B	O
IYJ45-ZPL	21.0	-	7.9	-	2221.8	-	15	274	28	3	50	32.2	325	565	386	732	875	-	1330	54	165	199	260	700	1017	330	-	730	8	φ35	φ35	G1/2"	-

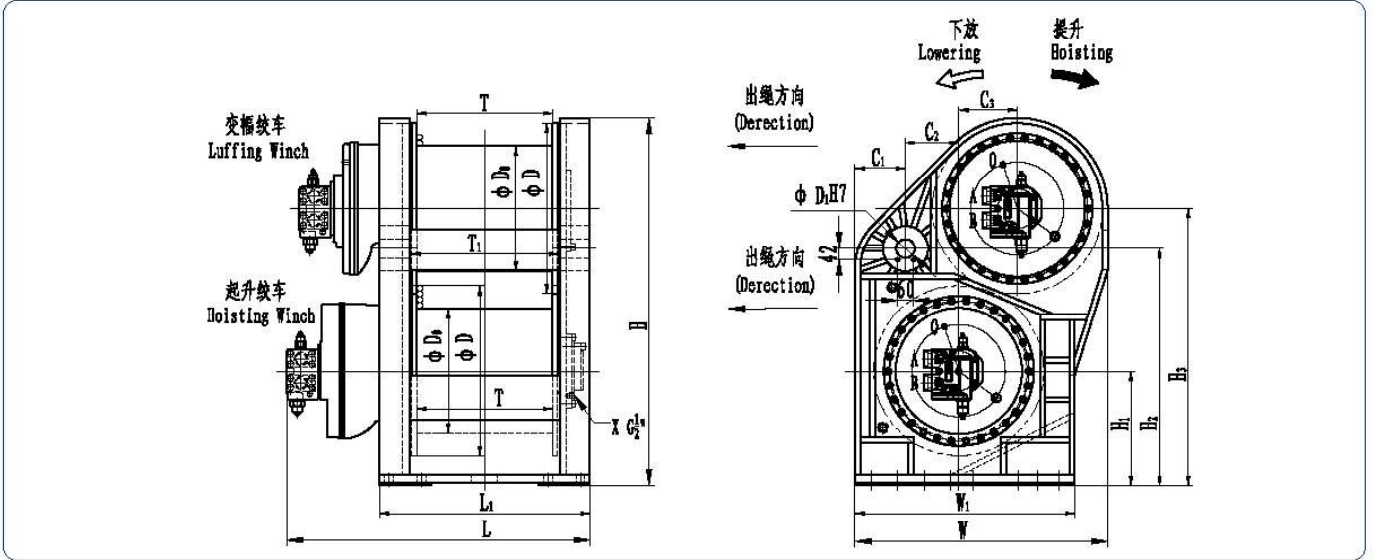


系列代号 Serial code	第一层拉力 The 1st Layer Pull		第一层绳速 The 1st Layer Rope Speed		总排量 Displacement		工作压力 Working pressure (MPa)	供油流量 Supply oil flow (L/min)	钢丝绳直径 Diameter of rope (mm)	层数 Layer	容量 Capacity of rope (m)	减速机传动比 Gearbox ratio	外形尺寸及油口规格 Overall dimensions and oil ports specifications																				
	重载 Heavy load (kN)	轻载 Slight load (kN)	重载 Heavy load (m/min)	轻载 Slight load (m/min)	重载 Heavy load (ml/r)	轻载 Slight load (ml/r)							D ₀	D	T	L ₁	L ₂	L ₃	L	W ₁	W ₂	W ₃	W ₄	W ₅	W	H ₁	H ₂	H	N	S	A	B	O
IYJ5-ZPL	158	-	20	-	19860.5	-	16	274	26	3	90	5.5	470	680	510	696	766	-	1197	470	610	730	165	-	1475	360	350	1130	10	φ32	φ35	G1/2"	G1/2"



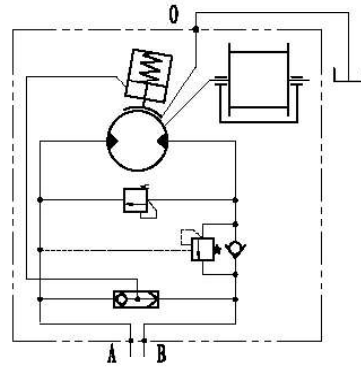
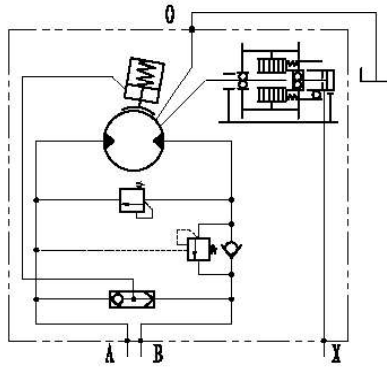
系列代号 Serial code	第一层拉力 The 1st Layer Pull		第一层绳速 The 1st Layer Rope Speed		总排量 Displacement		工作压力 Working pressure (MPa)	供油流量 Supply oil flow (L/min)	钢丝绳直径 Diameter of rope (mm)	层数 Layer	容量 Capacity of rope (m)	减速机传动比 Gearbox ratio	外形尺寸及油口规格 Overall dimensions and oil ports specifications																			
	重载 Heavy load (kN)	轻载 Slight load (kN)	重载 Heavy load (m/min)	轻载 Slight load (m/min)	重载 Heavy load (ml/r)	轻载 Slight load (ml/r)							D ₀	D	T	L ₁	L ₂	L ₃	L	W ₁	W ₂	W ₃	W ₄	W ₅	W	H ₁	H ₂	H	N	S	A	B
IYJ35.55.5-ZPL	308	70	10.6	24.2	25280	11060	23/12	184	10	3	70	158	470	750	441	392	792	880	1230	520	680	850	-	1000	415	-	965	12	φ32	M33x2	M22x1.5	M14x1.5

● IYJ-L



起升绞车液压原理图 (Hoisting Winch Hydraulic principle diagram)

变幅绞车液压原理图 (Luffing Winch Hydraulic principle diagram)

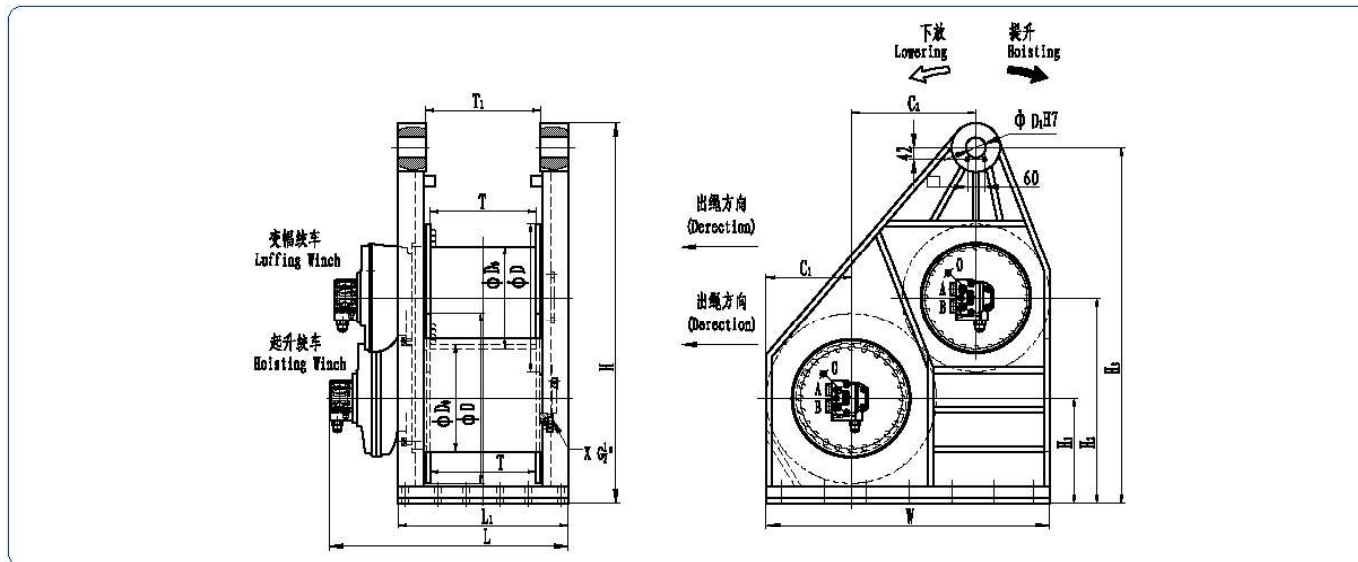


吊管机 系列代号 Pipelayer Serial code	绞车类别 Winch code	第二层拉力 The 2nd Layer Pull (kN)	第二层绳速 The 2nd Layer Rope Speed (m/min)	总排量 (ml/s) Displacement	系统压力 System pressure (MPa)	供油流量 Supply oil flow (L/min)	钢丝绳 直径 Diameter of rope (mm)	层数 Layer	容量 Capacity of rope (m)	减速器 传动比 Gearbox ratio	离合器完全 开启压力 Clutch opening pressure (MPa)	外形尺寸及油口规格 Overall dimensions and oil ports specifications																	
												D ₀	D	T	T ₁	A	B	O	D ₁	L ₁	L	W ₁	W	C ₁	C ₂	C ₃	H ₁	H ₂	H ₃
25T	Luffing Winch	35	41.5	3115	18	132	16	3	40	5	-	300	400	226	364	φ25	G1/2"	60	550	774	560	700	180	100	200	325	710	820	1020
	Hoisting Winch	49	50	4365	18	184	18	3	67	5	-	360	560	330	364	φ25	G1/2"	60	550	774	560	700	180	100	200	325	710	820	1020
30T	Luffing Winch	50	40	3795	22	126	18	3	50	5.5	-	360	520	276	406	φ25	G1/2"	55	606	868	595	785	160	145	220	315	700	810	1070
	Hoisting Winch	45	68	3795	22	210	18	3	70	5.5	5	380	540	346	406	φ40	G1/2"	55	606	868	595	785	160	145	220	315	700	810	1070
50T	Luffing Winch	50	40	4972	20	162	20	3	60	5.5	-	360	510	320	406	φ25	G1/2"	60	606	918	680	785	170	130	210	343	763	870	1127
	Hoisting Winch	82	54	7264	20	320	20	4	100	4	5	380	600	372	406	φ40	G1/2"	60	606	918	680	785	170	130	210	343	763	870	1127
70T	Luffing Winch	80	44	11698.5	16	345	20	2	75	5.5	-	470	640	510	556	φ40	G1/2"	70	792	1148	825	950	190	300	220	430	890	1040	1380
	Hoisting Winch	100	47	11038.5	20	345	20	2	75	5.5	5	470	640	510	556	φ40	G1/2"	70	792	1148	825	950	190	300	220	430	890	1040	1380
90T	Luffing Winch	100	54.5	11038.5	22	400	22	2	70	5.5	-	470	640	510	556	φ40	G1/2"	70	792	1148	825	950	190	300	220	430	890	1040	1380
	Hoisting Winch	120	52	11698.5	22	400	22	3	85	5.5	5	470	640	510	556	φ40	G1/2"	70	792	1148	825	950	190	300	220	430	890	1040	1380
110T	Luffing Winch	125	38	13821.5	20	350	22	2	70	5.5	-	470	680	510	556	φ40	G1/2"	70	792	1215	680	1000	240	100	320	400	835	1050	1370
	Hoisting Winch	150	32	16417.5	20	350	22	3	100	5.5	5	470	680	510	556	φ40	G1/2"	70	792	1215	680	1000	240	100	320	400	835	1050	1370

注：本系列绞车可带压绳机构及最后三圈钢丝绳防脱绳报警装置(此项为选项，用户订货自选)

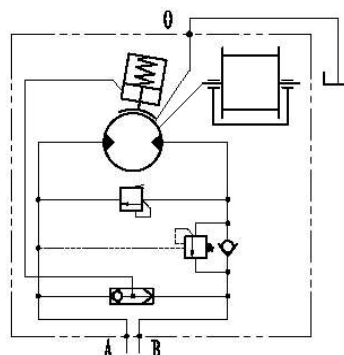
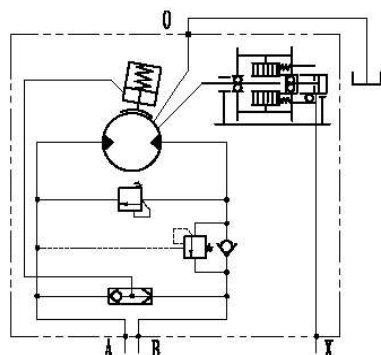
Note: Fitted with pressure roller and alarm device for ensuring 3 dead wraps of cable on the drum. (the item as option)

● IYJ-L



起升绞车液压原理图 (Hoisting Winch Hydraulic principle diagram)

变幅绞车液压原理图 (Luffing Winch Hydraulic principle diagram)



吊管机 系列代号 Pipelayer Serial code	绞车类别 Winch code	第二层拉力	第二层绳速	系统压力	供油流量	钢丝绳 直径	层数	容绳量	减速器 传动比	离合器完全 开启压力	外形尺寸及油口规格 Overall dimensions and oil ports specifications																	
		The 2nd Layer Pull (kN)	The 2nd layer Rope Speed (m/min)								总排量 (ml/r)	System pressure (MPa)	Supply oil flow (L/min)	直径 of rope (mm)	Capacity of rope (m)	Gearbox ratio	Clutch opening pressure(QPa)	D0	D	T	T1	A、B	O	D1	L1	L	W	C1
40T	Luffing Winch	55	40	480L.5	20	165	18	3	68	5.5	-	360	520	312	404	Φ 25	G1/2"	55	600	878	900	300	340	-	370	830	1285	1370
	Hoisting Winch	55	54	436L.5	22	200	18	4	97	5.5	14	380	600	372		Φ 25	G1/2"											
45T	Luffing Winch	55	40	480L.5	20	165	18	3	68	5.5	-	360	520	372	404	Φ 25	G1/2"	70	600	878	1000	300	440	-	370	725	1255	1340
	Hoisting Winch	55	54	436L.5	22	200	18	4	97	5.5	14	380	600	372		Φ 25	G1/2"											

注：本系列绞车可带压绳机构及最后三圈钢丝绳磨损报警装置(此项为选项，用户订货自选)

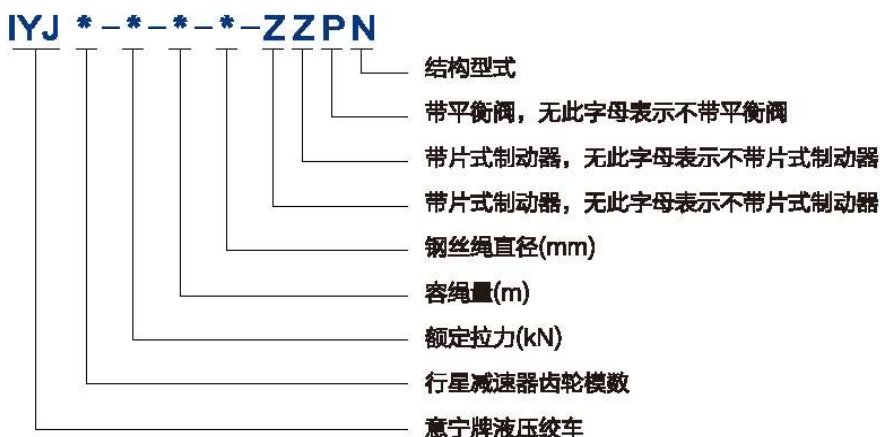
Note: Fitted with pressure roller and alarm device for ensuring 3 dead wraps of cable on the drum. (the item as option)

● IYJ-ZZ 系列双制动载人液压绞车

1. 概述

IYJ-ZZ系列双制动载人液压绞车是由本公司自主研发，已申请多项发明和实用新型专利，并获得“浙江制造”品牌认证。绞车主要由轴向柱塞马达、两个Z型液压常闭多片式制动器、KC型行星减速器、机架、卷筒、支承轴等组成。并可根据各种工况要求带不同的配流器，配流器中集成了相应的液压阀，如平衡阀、过载阀、高压梭阀等。该系列绞车具有结构紧凑、体积小、重量轻、外形美观等特点，在性能上则具有安全性好(通过前后两个单独的制动器来提供有效可靠的制动)、低速稳定性好、噪音小、操作可靠等特点，该产品已通过CCS和BV认证，用于海工载人绞车设备上，技术参数符合海洋国际公约，它既可用于载货又可用于载人，受到国内外用户的普遍好评，并已出口到新加坡、荷兰等国家。

2. 型号说明



3. 型号举例

IYJ33.75-60-172-18-ZZP表示行星减速器一级、二级齿轮模数分别为3、3.75，绞车额定拉力为60kN，容绳量为172m，钢丝绳直径为18mm，带前后片式制动器和平衡阀。

4. 参数说明

- a. 总排量是指卷筒每转所需供给的理论供油流量(ml/r)。
- b. 供油流量是指泵的理论供油流量，即在考虑系统容积效率在0.85 ~ 0.94情况下的计算值(L/min)。
- c. 容绳量为绞车的理论容绳量，实际允许的有效容绳量应考虑卷筒最少保留3圈钢丝绳，以防绳头脱出。

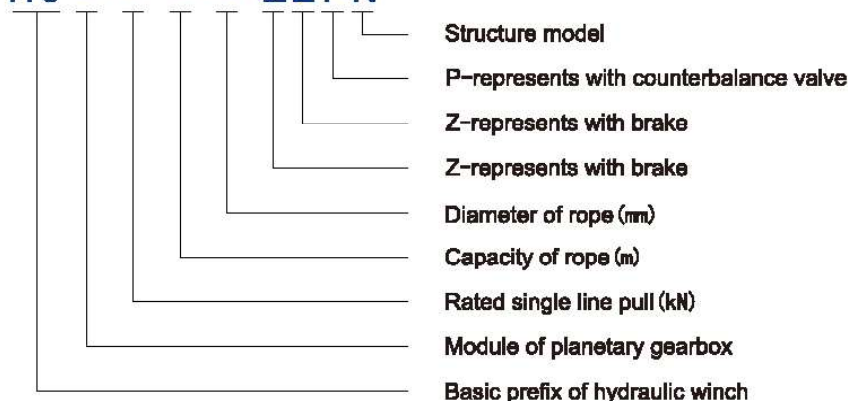
● IYJ-ZZ Series Manned Hydraulic Winch with Dual Brakes

1. Brief Introduction

IYJ-ZZ Series Manned Hydraulic Winch with Dual Brakes is independently developed by our company, has applied for a number of inventions and utility model patents, and obtained the "Made in Zhejiang" brand certification. And they are mainly consist of axial piston hydraulic motor, two Z type hydraulic multi-disc brakes and C type or KC type planetary gearbox, clutch, drum, supportshaft, frame. Hydraulic motor can choose different distributor according to the working conditions, such as counterbalance valve、 overload valve、 shuttle valve、 speed control directional valve and other functions' valve. This series winches featured compact and elegant figure, small size and lightweight, and a high efficiency and power, low noise and good operating performance, and the two single brakes can give the winches good safty. This series of hydraulic winches have been approved by CCS and BV, and they can be used on of shore application to life people. Technical specification follow international carvention on the law of the sea. IYJ-ZZ series hydraulic winches have been well sold in China company and also have been exported to the Singapore, Netherlands and other areas in the world.

2. Model Options

IYJ * - * - * - * - ZZPN



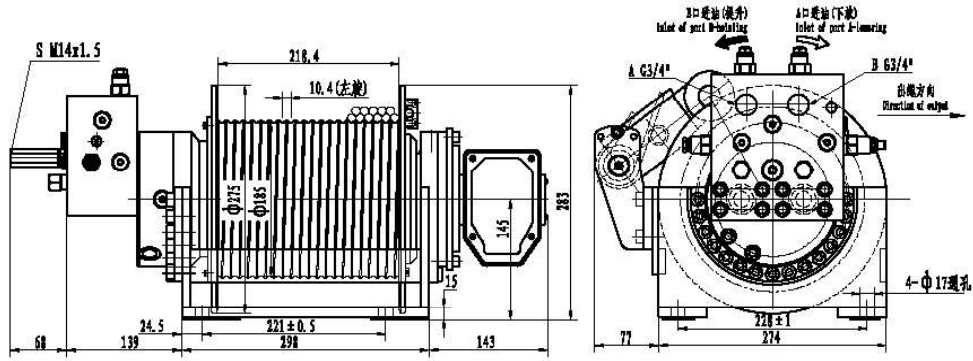
3. Options Example

IYJ33.75-60-172-18-ZZPN represents that the hydraulic winch adopts two levels planetary gearbox, and the modules of the gearbox are 3 and 3.75 respectively, the rated single pull on 1st layer is 60KN, drum capacity is 172m, rope diameter is 18mm, the winch is fitted with brake, counterbalance valve, and structure model is N.

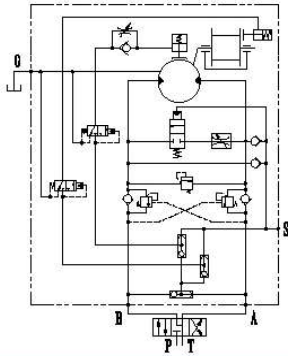
4. Parameter description

- Total displacement represents the capacity of oil supply per revolution.
- Flow of oil supply indicates theoretical flow of pump when the volumetric efficiency is considered as 85%-94%.
- Drum capacity is theoretical drum capacity. The practical available capacity of rope should subtract the retained 3m wire in case of rope headis out of hand.

● IYJ22-ZZ

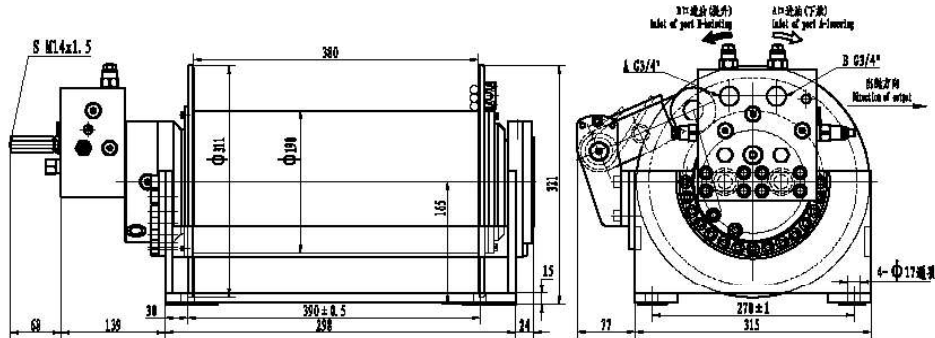


液压原理图
Hydraulic principle diagram



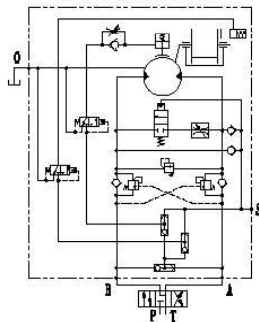
主要技术性能参数 Main Specification

工 况 Working Condition	载货 Carry Cargo	载人 Carry People
层 数 Rope Layer	2	2
第一层额定拉力 The 1st Layer Line pull(kN)	13	6.5
第一层额定绳速 The 1st Layer Rope speed(m/min)	32	32
总排量 Total Displacement (ml/r)	556	556
系统压力 System Rated Pressure(Bar)	180	90
供油流量 Pump Supply Oil Flow(L/min)	32	
绳索直径 Rope Diameter(mm)	10	
容绳量 Drum Capacity(m)	27	
液压马达型号 Hydraulic Motor Model	IAM18	
减速器型号 Gearbox Model (Ratio)	KC22 (i=30, 89)	
马达制动扭矩 Static brake torque of motor(N·m)	600	
卷筒制动扭矩 Static brake torque of drum(N·m)	3100	



液压原理图

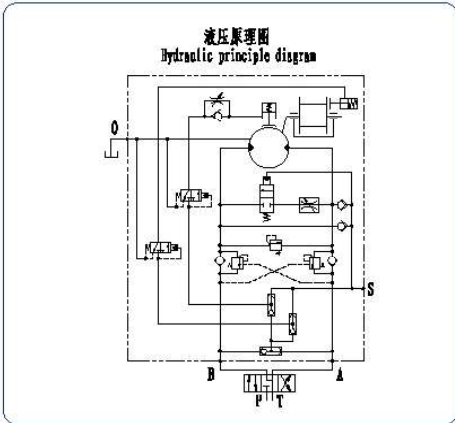
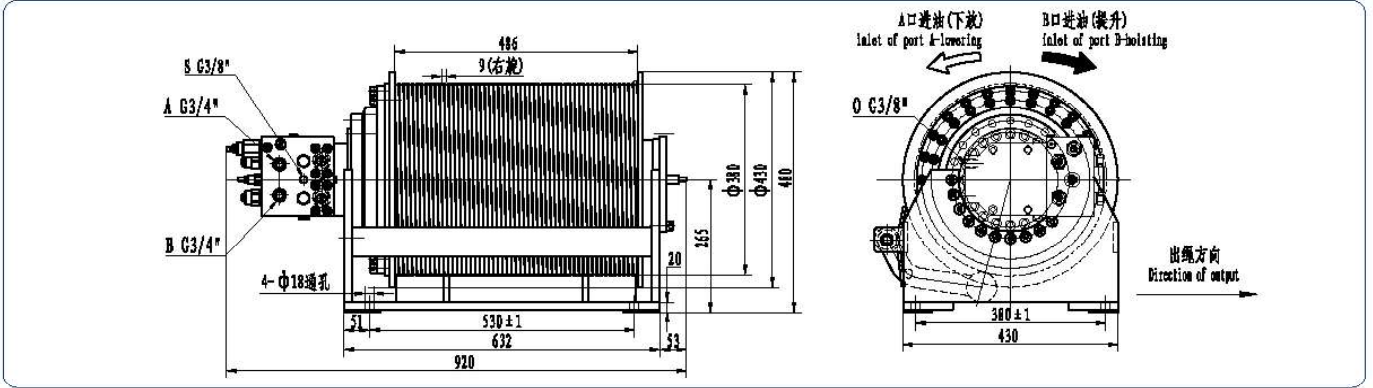
Hydraulic principle diagram



主要技术性能参数 Main Specification

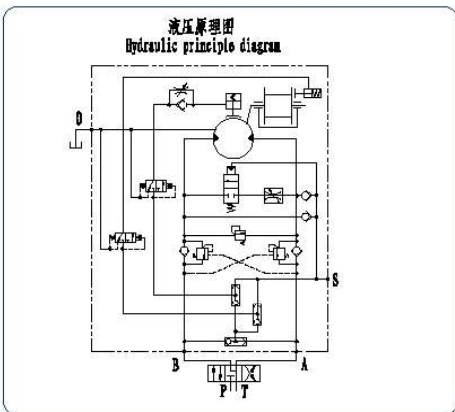
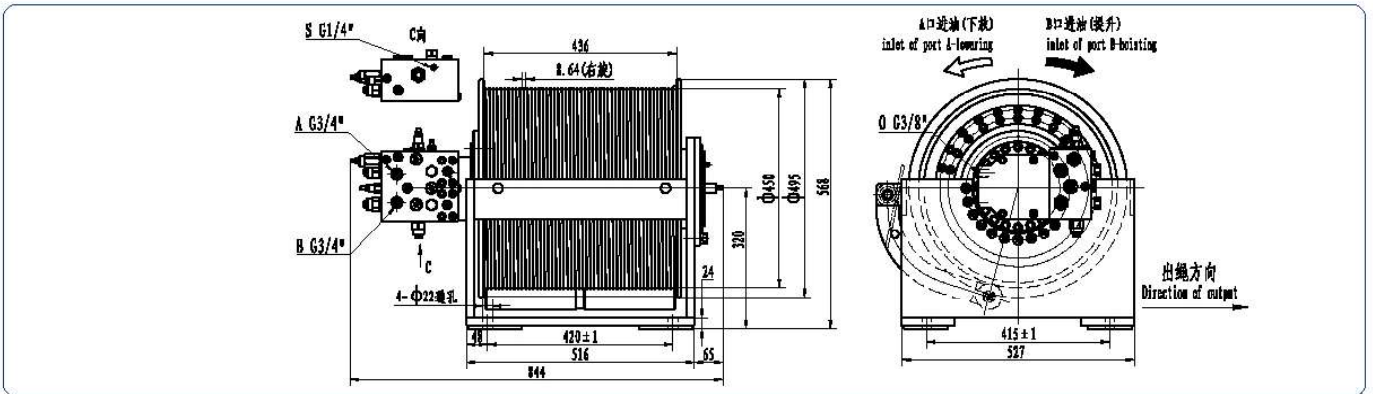
工 况 Working Condition	载货 Carry Cargo	载人 Carry People
层 数 Rope Layer	3	3
第一层额定拉力 The 1st Layer Line pull(kN)	13	6.5
第一层额定绳速 The 1st Layer Rope speed(m/min)	30	30
总排量 Total Displacement (ml/r)	810	810
系统压力 System Rated Pressure(Bar)	150	75
供油流量 Pump Supply Oil Flow(L/min)	43	
绳索直径 Rope Diameter(mm)	11	
容绳量 Drum Capacity(m)	70	
液压马达型号 Hydraulic Motor Model	IAM18	
减速器型号 Gearbox Model (Ratio)	KC22 (i=45)	
马达制动扭矩 Static brake torque of motor(N·m)	600	
卷筒制动扭矩 Static brake torque of drum(N·m)	3100	

● IYJ33-ZZ



主要技术性能参数 Main Specification

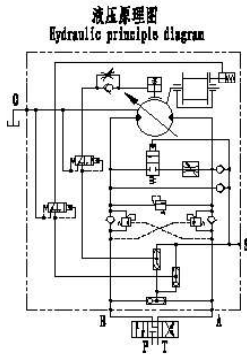
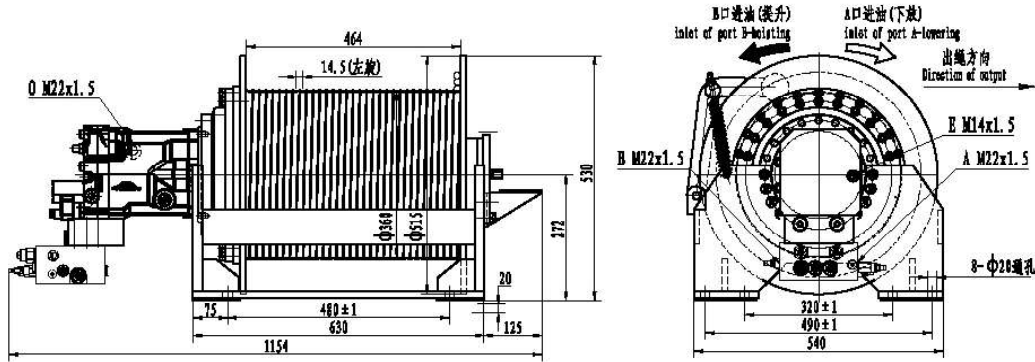
工况 Working Condition	载货 Carry Cargo	载人 Carry People
层数 Rope Layer	1	1
第一层额定拉力 The 1st Layer line pull(kN)	5	2.5
第一层额定绳速 The 1st Layer Rope speed(m/min)	72	72
总排量 Total Displacement (ml/r)	954	954
系统压力 System Rated Pressure (Bar)	100	50
供油流量 Pump Supply Oil Flow(L/min)	61	
绳索直径 Rope Diameter (mm)	8	
容绳量 Drum Capacity (m)	60	
液压马达型号 Hydraulic Motor Model	1M52	
减速器型号 Gearbox Model (Ratio)	KC33 (i=18.38)	
马达制动扭矩 Static brake torque of motor (N·m)	400	
卷筒制动扭矩 Static brake torque of drum (N·m)	9500	



主要技术性能参数 Main Specification

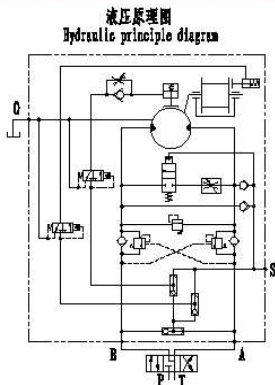
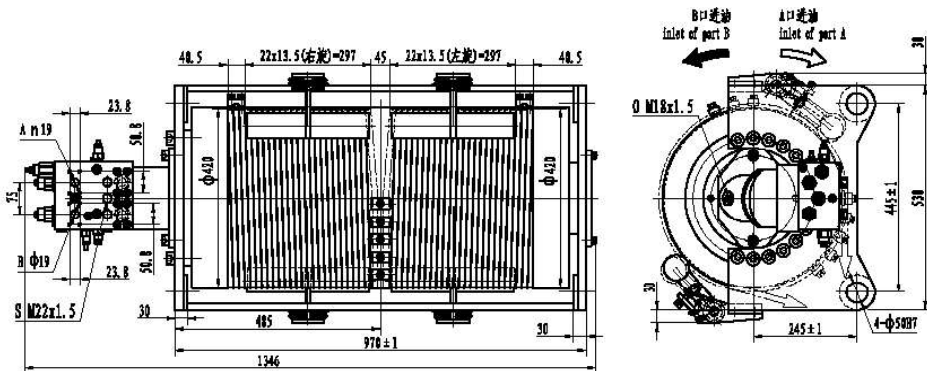
工况 Working Condition	载货 Carry Cargo	载人 Carry People
层数 Rope Layer	1	1
第一层额定拉力 The 1st Layer Line pull(kN)	7	3.5
第一层额定绳速 The 1st Layer Rope speed(m/min)	74	74
总排量 Total Displacement (ml/r)	954	954
系统压力 System Rated Pressure (Bar)	160	80
供油流量 Pump Supply Oil Flow(L/min)	62	
绳索直径 Rope Diameter (mm)	8	
容绳量 Drum Capacity (m)	70	
液压马达型号 Hydraulic Motor Model	1M52	
减速器型号 Gearbox Model (Ratio)	KC33 (i=18.38)	
马达制动扭矩 Static brake torque of motor (N·m)	400	
卷筒制动扭矩 Static brake torque of drum (N·m)	9500	

● IYJ333-ZZ



主要技术性能参数 Main Specification

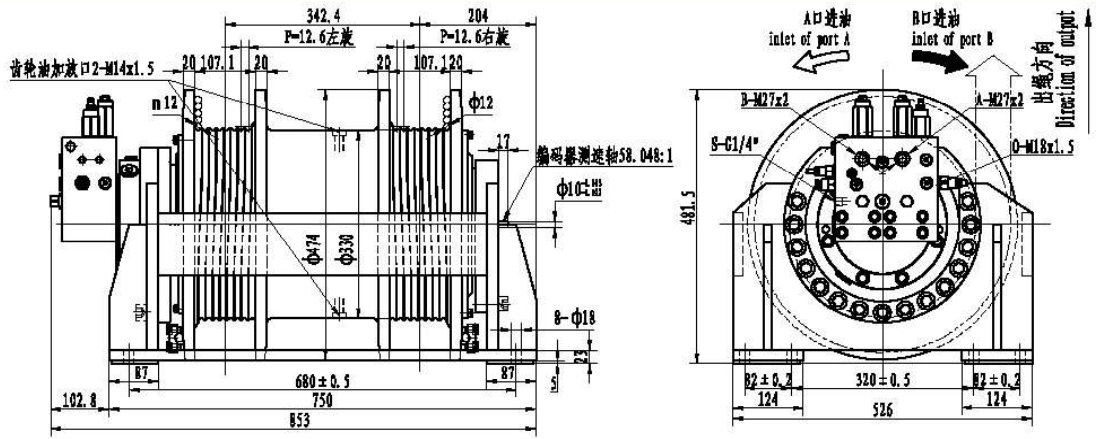
工况 Working Condition	载货 Carry Cargo	载人 Carry People
层数 Rope Layer	3	3
第三层额定拉力 The 3rd Layer Line pull (kN)	35	17
第三层额定绳速 The 3rd Layer Rope speed (m/min)	20	28
总排量 Total Displacement (ml/r)	3406.7	2428.9
系统压力 System Rated Pressure (Bar)	195	140
供油量 Pump Supply Oil Flow (L/min)	54.25	
绳索直径 Rope Diameter (mm)	14	
容量 Drum Capacity (m)	120	
液压马达型号 Hydraulic Motor Model	HMV055B4	
减速机型号 Gearbox Model (Ratio)	KC333 (i=62.28)	
马达制动扭矩 Static brake torque of motor (N·m)	450	
卷筒制动扭矩 Static brake torque of drum (N·m)	16740	



主要技术性能参数 Main Specification

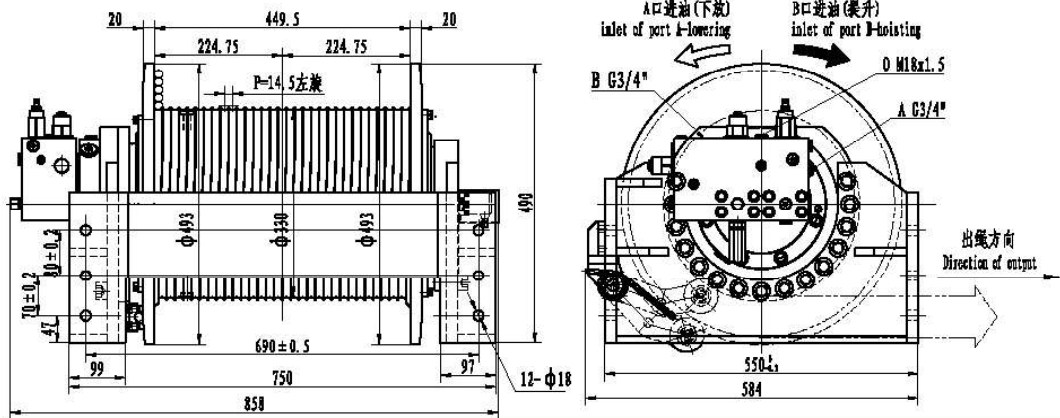
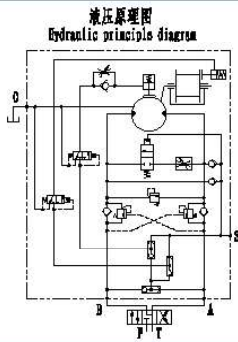
工况 Working Condition	载货 Carry Cargo	载人 Carry People
层数 Rope Layer	1	1
第一层额定拉力 The 1st Layer Line pull (kN)	30x2	15x2
第一层额定绳速 The 1st Layer Rope speed (m/min)	30	30
总排量 Total Displacement (ml/r)	6760.05	6760.05
系统压力 System Rated Pressure (Bar)	190	95
供油量 Pump Supply Oil Flow (L/min)	166	
绳索直径 Rope Diameter (mm)	13	
容量 Drum Capacity (m)	30x2	
液压马达型号 Hydraulic Motor Model	A2FB56/6.1WZL10	
减速机型号 Gearbox Model (Ratio)	IGC24 (i=120.5)	
马达制动扭矩 Static brake torque of motor (N·m)	212	
卷筒制动扭矩 Static brake torque of drum (N·m)	22000	

● IYJ2.53.753.75-ZZ



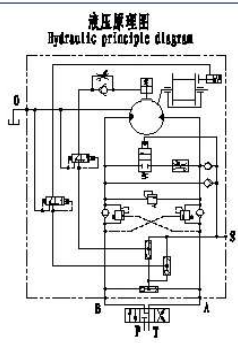
主要技术性能参数 Main Specification

工况 Working Condition	载货 Carry Cargo	载人 Carry People
层数 Rope Layer	5	5
第一层额定拉力 The 1st Layer Line pull (kN)	25x2	15x2
第一层额定绳速 The 1st Layer Rope speed (m/min)	22.4	22.4
总排量 Total Displacement (ml/r)	4013.6	4013.6
系统压力 System Rated Pressure (Bar)	165	99
供油量 Pump Supply Oil Flow (L/min)	90	
绳索直径 Rope Diameter (mm)	12	
容量 Drum Capacity (m)	48x2	
液压马达型号 Hydraulic Motor Model	IAM69	
减速机型号 Gearbox Model (Ratio)	IGC36W3-BB58-IAM69 (1=58)	
马达制动扭矩 Static brake torque of motor (N·m)	200	
卷筒制动扭矩 Static brake torque of drum (N·m)	12500	

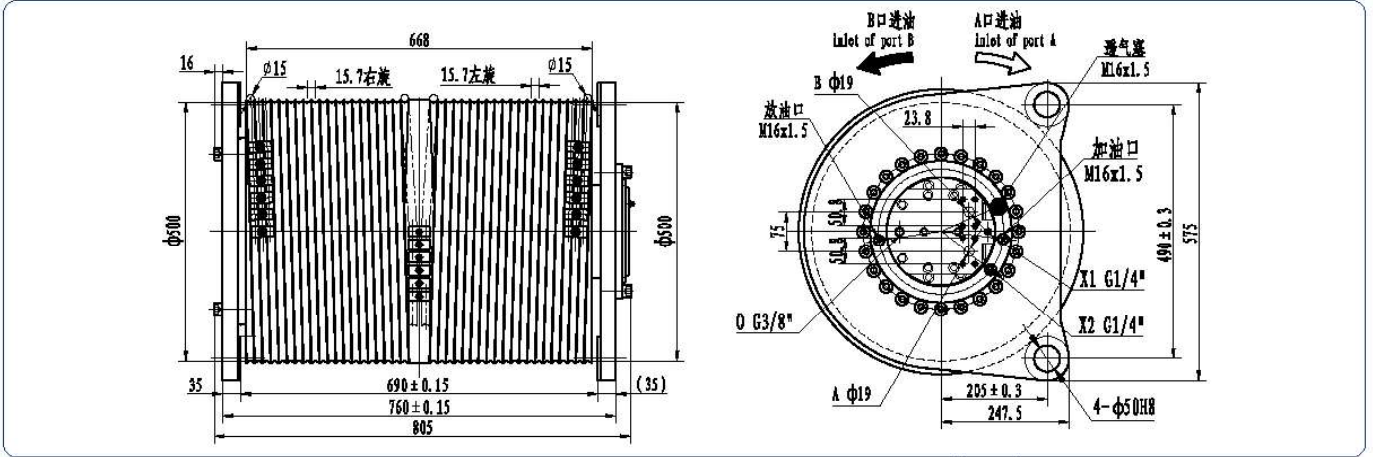


主要技术性能参数 Main Specification

工况 Working Condition	载货 Carry Cargo	载人 Carry People
层数 Rope Layer	5	5
第一层额定拉力 The 1st Layer Line pull (kN)	70	53
第一层额定绳速 The 1st Layer Rope speed (m/min)	26	26
总排量 Total Displacement (ml/r)	5632.1	5632.1
系统压力 System Rated Pressure (Bar)	190	150
供油量 Pump Supply Oil Flow (L/min)	150	
绳索直径 Rope Diameter (mm)	14	
容量 Drum Capacity (m)	185	
液压马达型号 Hydraulic Motor Model	IAM80	
减速机型号 Gearbox Model (Ratio)	IGC36W3-B70-IAM80 (1=70.173)	
马达制动扭矩 Static brake torque of motor (N·m)	212	
卷筒制动扭矩 Static brake torque of drum (N·m)	14600	

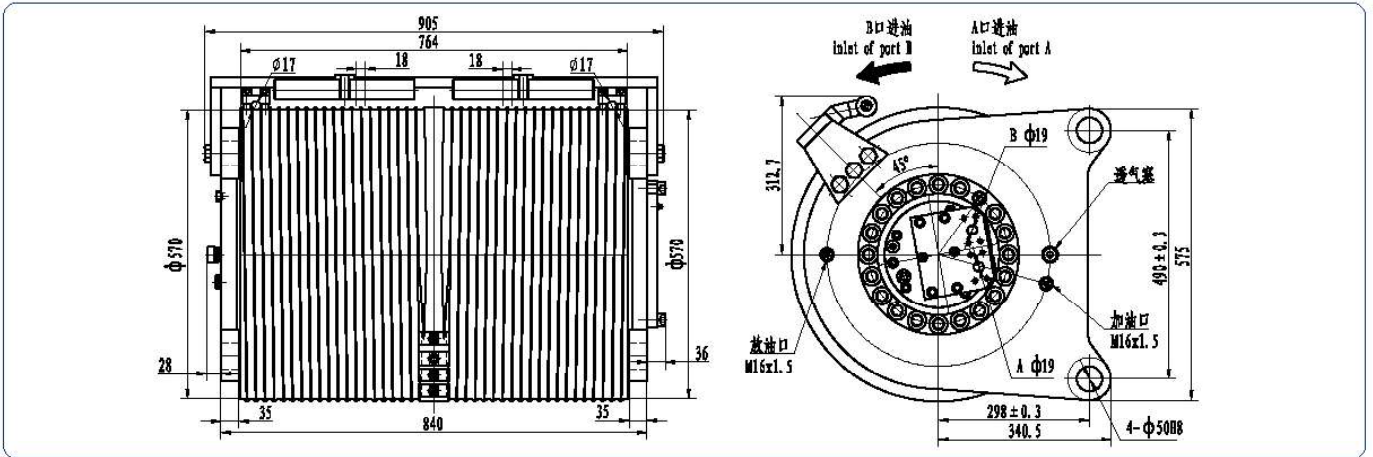
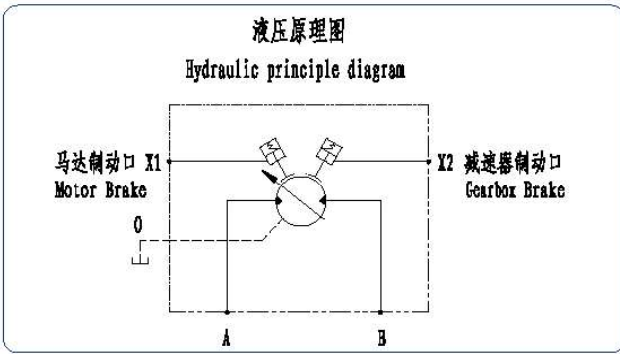


● IYJ344-ZZ



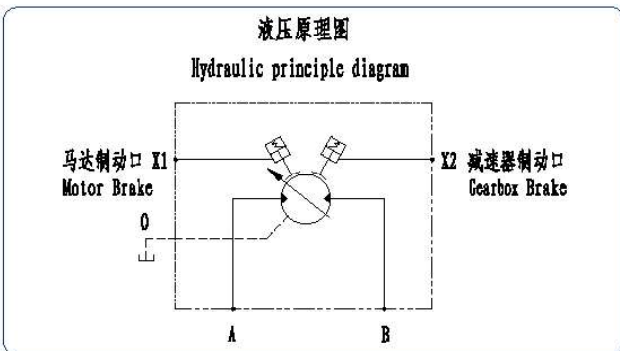
主要技术性能参数 Main Specification

工 况 Working Condition	载货 Carry Cargo	载人 Carry People
层 数 Rope Layer	1	1
第一层额定拉力 The 1st Layer line pull(kN)	45x2	22.5x2
第一层额定绳速 The 1st Layer Rope speed(m/min)	11.8	11.8
总 排 量 Total Displacement(ml/r)	9942	9942
系统压力 System Rated Pressure(Bar)	220	110
供油流量 Pump Supply Oil Flow(L/min)	80	
绳索直径 Rope Diameter(mm)	15	
容 积 量 Drum Capacity(m)	26.3x2	
液压马达型号 Hydraulic Motor Model	IM39 (q=39.1ml/r)	
减速器型号 Gearbox Model (Ratio)	IGC36W3 (1=254.3)	
马达制动扭矩 Static brake torque of motor(N·m)	212	
卷筒制动扭矩 Static brake torque of drum(N·m)	40000	

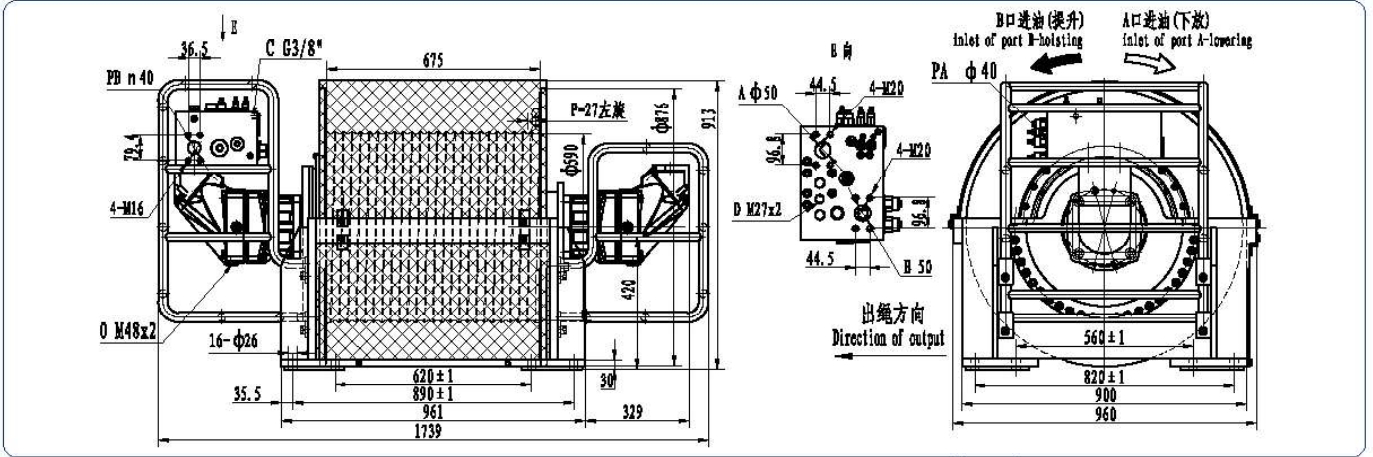


主要技术性能参数 Main Specification

工 况 Working Condition	载货 Carry Cargo	载人 Carry People
层 数 Rope Layer	1	1
第一层额定拉力 The 1st Layer Line pull(kN)	57.5x2	28.75x2
第一层额定绳速 The 1st Layer Rope speed(m/min)	12	12
总 排 量 Total Displacement(ml/r)	12740	12740
系统压力 System Rated Pressure(Bar)	230	115
供油流量 Pump Supply Oil Flow(L/min)	92	
绳索直径 Rope Diameter(mm)	17	
容 积 量 Drum Capacity(m)	30x2	
液压马达型号 Hydraulic Motor Model	IAM52	
减速器型号 Gearbox Model (Ratio)	IGC50W3 (1=145)	
马达制动扭矩 Static brake torque of motor(N·m)	212	
卷筒制动扭矩 Static brake torque of drum(N·m)	65000	

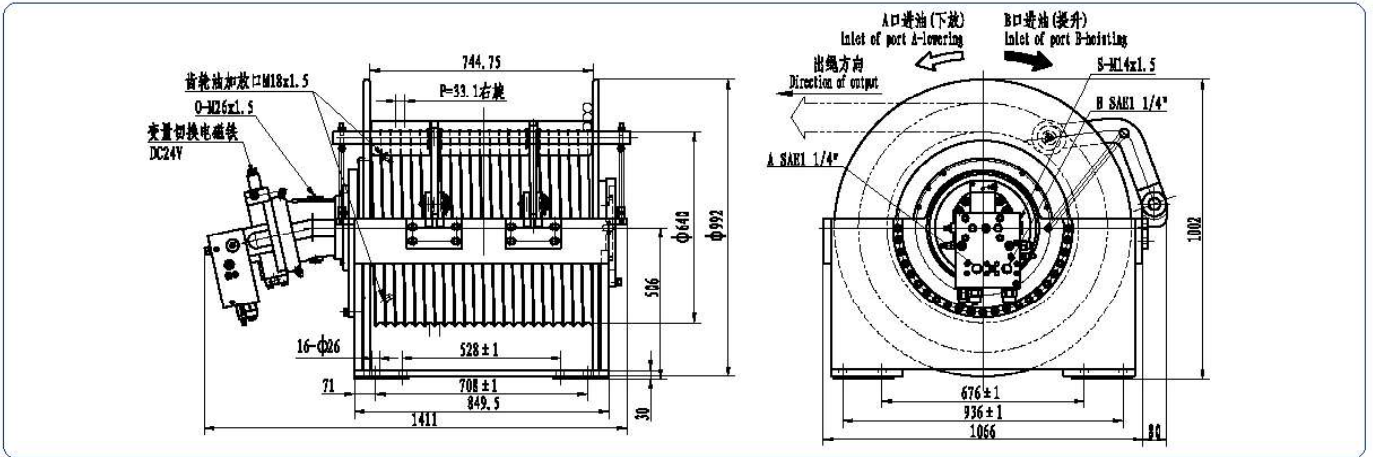
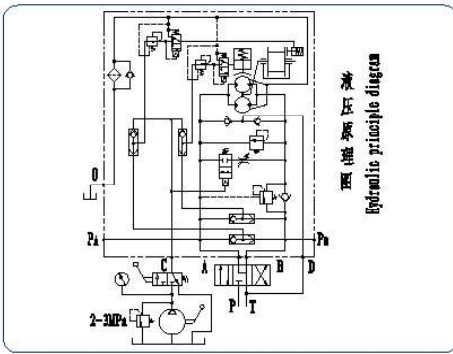


● IYJ5.55.5-ZZ



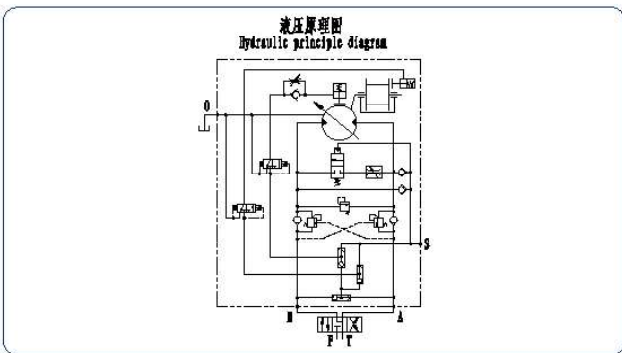
主要技术性能参数 Main Specification

工况 Working Condition	载货 Carry Cargo	载人 Carry People
层数 Rope Layer	3	3
第三层额定拉力 The 3rd Layer Line pull(kN)	130	20
第三层额定绳速 The 3rd Layer Rope speed(m/min)	120	120
总排量 Total Displacement(ml/r)	13960	5632.1
系统压力 System Rated Pressure(Bar)	280	60
供油流量 Pump Supply Oil Flow(L/min)	790	
绳索直径 Rope Diameter(mm)	26	
容绳量 Drm Capacity(m)	150	
液压马达型号 Hydraulic Motor Model	F12-250x2	
减速机型号 Gearbox Model (Ratio)	IGC110W2-B27.93 (1-27.93)	
马达制动扭矩 Static brake torque of motor(N·m)	2778	
卷筒制动扭矩 Static brake torque of drum(N·m)	90400	

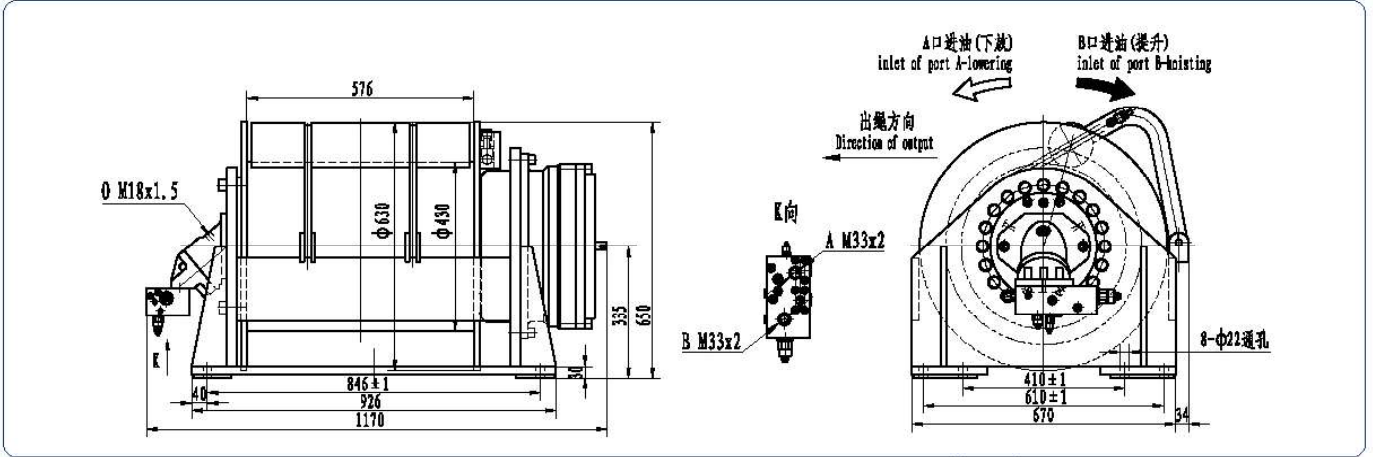


主要技术性能参数 Main Specification

工况 Working Condition	载货 Carry Cargo	载人 Carry People
层数 Rope Layer	3	3
第三层额定拉力 The 3rd Layer Line pull(kN)	127	30
第三层额定绳速 The 3rd Layer Rope speed(m/min)	39	78
总排量 Total Displacement(ml/r)	18368	12054
系统压力 System Rated Pressure(Bar)	240	100
供油流量 Pump Supply Oil Flow(L/min)	318	
绳索直径 Rope Diameter(mm)	32	
容绳量 Drm Capacity(m)	155	
液压马达型号 Hydraulic Motor Model	ASVNL60R22/63W1050VAB080	
减速机型号 Gearbox Model (Ratio)	IGC110W3-BD115 (i=114.8)	
马达制动扭矩 Static brake torque of motor(N·m)	900	
卷筒制动扭矩 Static brake torque of drum(N·m)	82000	

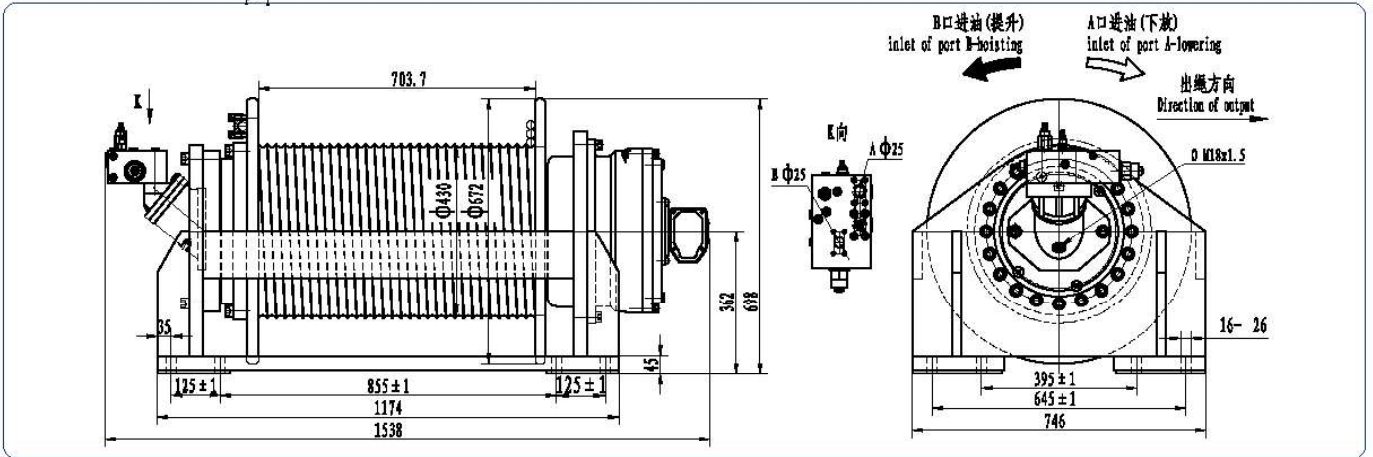
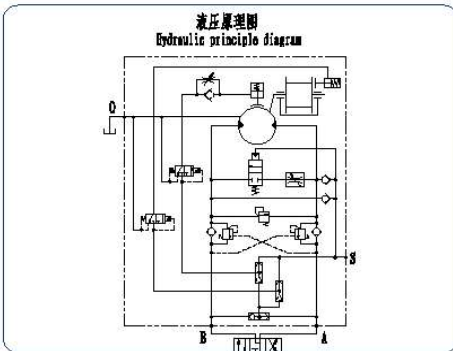


● IYJ344-ZZ



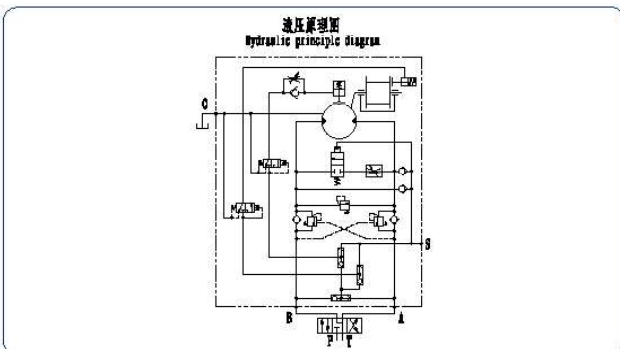
主要技术性能参数 Main Specification

工 况 Working Condition	载货 Carry Cargo	载人 Carry People
层 数 Rope Layer	2	2
第二层额定拉力 The 2nd Layer Line pull(kN)	50	25
第二层额定绳速 The 2nd Layer Rope speed(m/min)	0-30	0-30
总排量 Total Displacement(ml/r)	5600	5600
系统压力 System Rated Pressure(Bar)	200	100
供油流量 Pump Supply Oil Flow(L/min)	120	
绳索直径 Rope Diameter(mm)	22	
容 积 量 Drum Capacity(m)	65	
液压马达型号 Hydraulic Motor Model	A2FE56/6.1WVAL10	
减速器型号 Gearbox Model(Ratio)	IGC36W3(i=100)	
马达制动扭矩 Static brake torque of motor(N·m)	740	
卷筒制动扭矩 Static brake torque of drum(N·m)	30000	



主要技术性能参数 Main Specification

工 况 Working Condition	载货 Carry Cargo	载人 Carry People
层 数 Rope Layer	3	3
第三层额定拉力 The 3rd Layer Line pull(kN)	75	20
第一层额定绳速 The 1st Layer Rope speed(m/min)	0-40	0-40
总排量 Total Displacement(ml/r)	7785	7785
系统压力 System Rated Pressure(Bar)	230	70
供油流量 Pump Supply Oil Flow(L/min)	240	
绳索直径 Rope Diameter(mm)	22	
容 积 量 Drum Capacity(m)	140	
液压马达型号 Hydraulic Motor Model	A2FB90/6.1WVAL10	
减速器型号 Gearbox Model(Ratio)	IGC60W3(i=86.5)	
马达制动扭矩 Static brake torque of motor(N·m)	600	
卷筒制动扭矩 Static brake torque of drum(N·m)	30000	



● IDJ 系列电动绞车

1. 概述

IDJ 系列电动绞车由带制动器的电动机、行星减速器、卷筒、机架等部件组成。用户只需配备电器箱即可。它具有外形美观、结构简单可靠、无污染、经济性好等特点。对于起升高度和装卸量大且工作频繁的工况，电动绞车调速性能良好。能令空钩快速下降，对于安装定位敏感的物料，能调至较小速度，使其平稳运行。因而广泛用于各种船舶甲板机械、工程机械等领域。

2. 型号说明



3. 型号举例

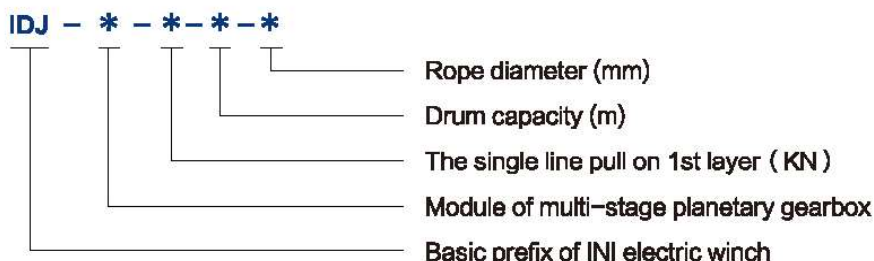
IDJ23-10-30-14 表示此绞车的行星减速器为双级行星减速器，第一级齿轮模数为2，第二级齿轮模数3，钢丝绳的第一层额定拉力为10KN，卷筒理论容绳量为30m，钢丝绳直径为14mm。

● IDJ Series Electric Winch

1. Brief Introduction

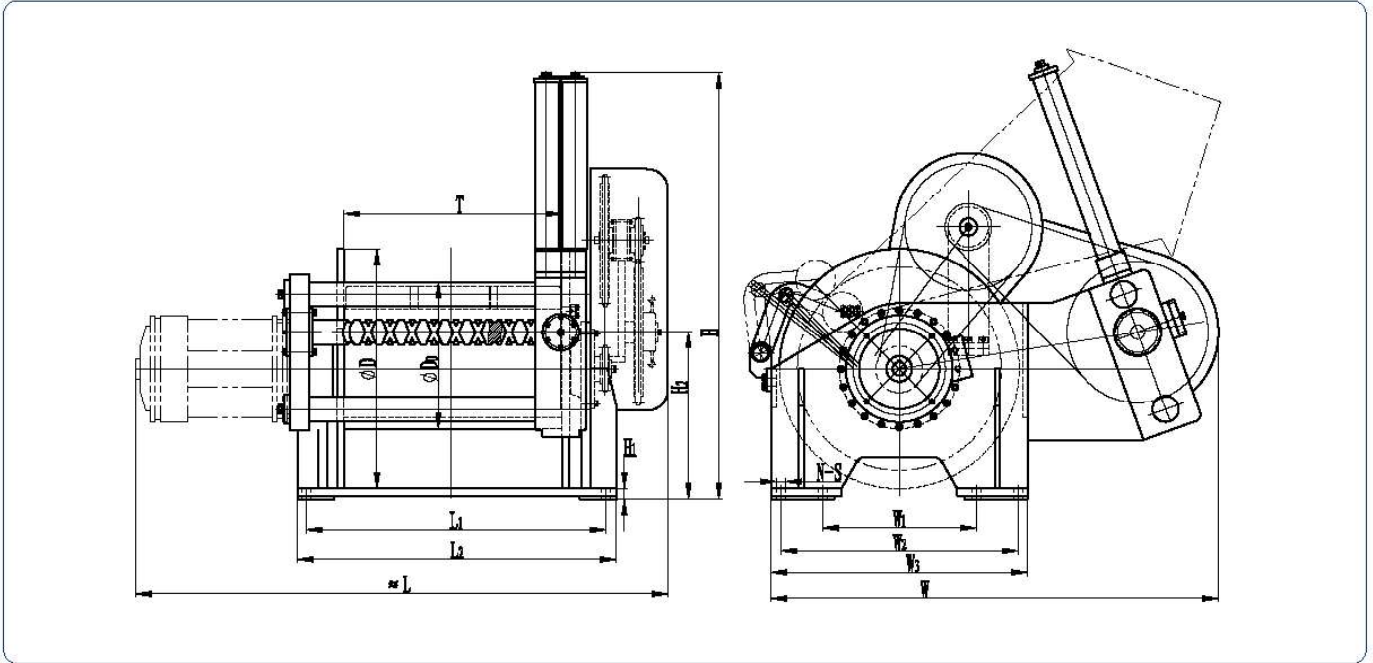
IDJ series electric winch consist of electromotor with brake, planetary gearbox, drum, and frame. The customer only equip electric box for winch performance. The series feature compact design, simply and rugged construction, high reliability, and good economy. For the working conditions with large lifting height, large loading and unloading capacity and frequent work, the electric winch has good speed regulation performance. It can make the air hook drop rapidly, and can be adjusted to a smaller speed for materials that are sensitive to installation and positioning to make it run smoothly. Therefore they have been widely applied in ship and deck machinery, construction machinery.

2. Model Options



3. Options Example

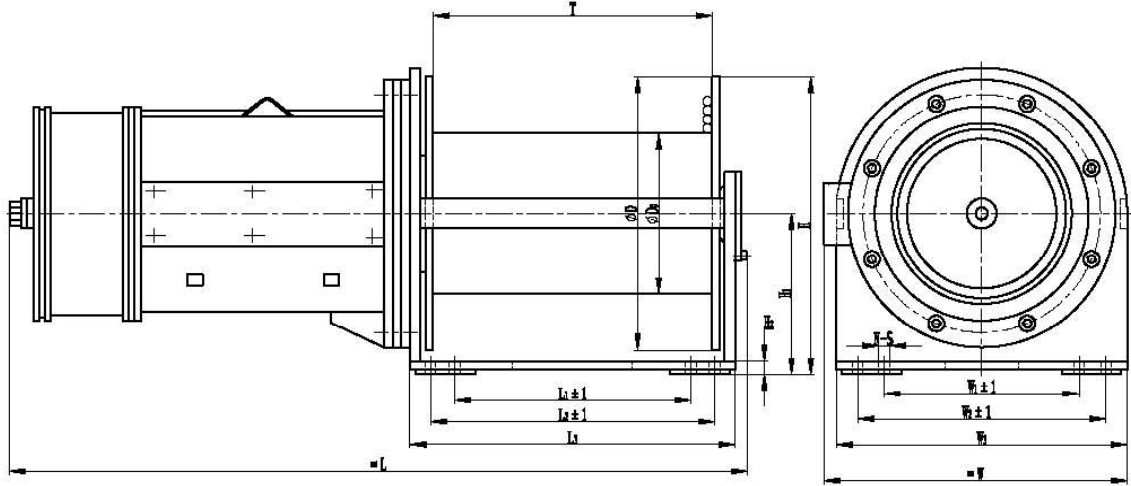
IDJ23-10-30-14 represents that the electric winch adopts two stages planetary gearbox, the modules of gearbox are 2.5 and 3 respectively, the single line pull on 1st layer is 10kN, the drum capacity is 30m, and the rope diameter is 14mm.



- 注:**
- 1.容绳量为绞车的理论容绳量，实际允许的有效容绳量应考虑保留钢丝绳3圈以防绳头脱出；
 - 2.表格里的外形尺寸均包括电机尺寸，用户若所配电机特殊，则联接部分的过渡板和连接套需特殊加工。

- Note:**
- 1.Drum capacity indicates theoretic valve.Maintain mandatory minimum of three wraps of wire rope to be left on the drum at all times for safety.
 - 2.The dimension of general electric motor is included in above installation drawing.If fitted electricmotor is specific,the connection dimension is also changed.

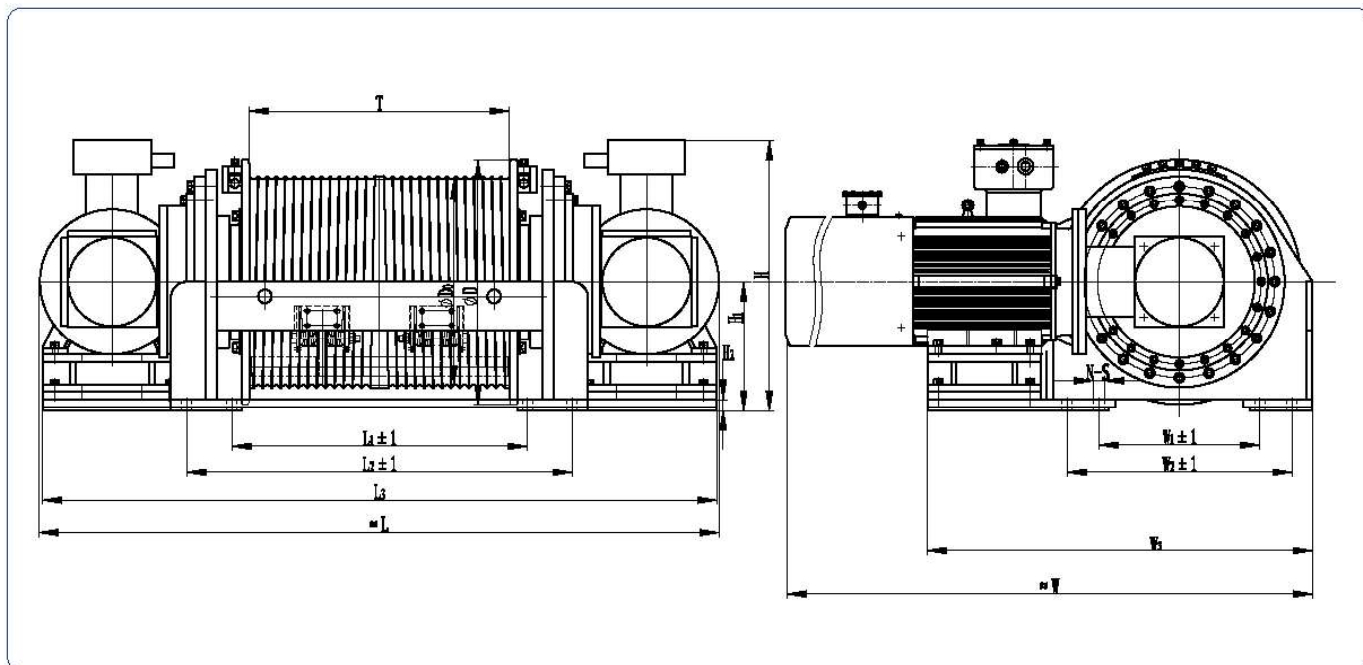
主要性能参数 Main specification											外形尺寸 Overall dimensions															
系列代号 Serial code	型号 Model	第一层 the 1st layer		钢丝绳直径 Diameter of rope (mm)	层数 layer	绳容量 Capacity of rope (t)	电机型号 Model of electricmotor	电 机 Parameter of electricmotor		总 传动比 Ratio	电机功率 Power (KW)	D ₀	D	T	L ₁	L ₂	L	W ₁	W ₂	W ₃	W	H ₁	H ₂	H	N	S
		拉力 Pull (KN)	转速 Speed (a/min)					电压 Volt (V)	频率 Frequency (Hz)																	
IDJ23	IDJ023-2-400-17	2.2	27	17	8	400	YZ-1128-6-E	380	50	63	1.1	500	840	567	-	997	1448	-	-	930	1100	114	444	1920	-	-
IDJ233	IDJ233-10-3000-6-Z	16.5	11.8	28	4	500	IDGP-1328-4	440	60	163.5	5.5	345	688	626	860	914	1116	440	680	735	1343	30	374	1222	8	φ26



- 注:**
- 1.容绳量为绞车的理论容绳量，实际允许的有效容绳量应考虑保留钢丝绳3圈以防绳头脱出；
 - 2.表格里的外形尺寸均包括电机尺寸，用户若所配电机特殊，则联接部分的过渡板和连接套需特殊加工。

- Note:**
- 1.Drum capacity indicates theoretic valve.Maintain mandatory minimum of three wraps of wire rope to be left on the drum at all times for safety.
 - 2.The dimension of general electric motor is included in above installation drawing.If fitted electricmotor is specific,the connection dimension is also changed.

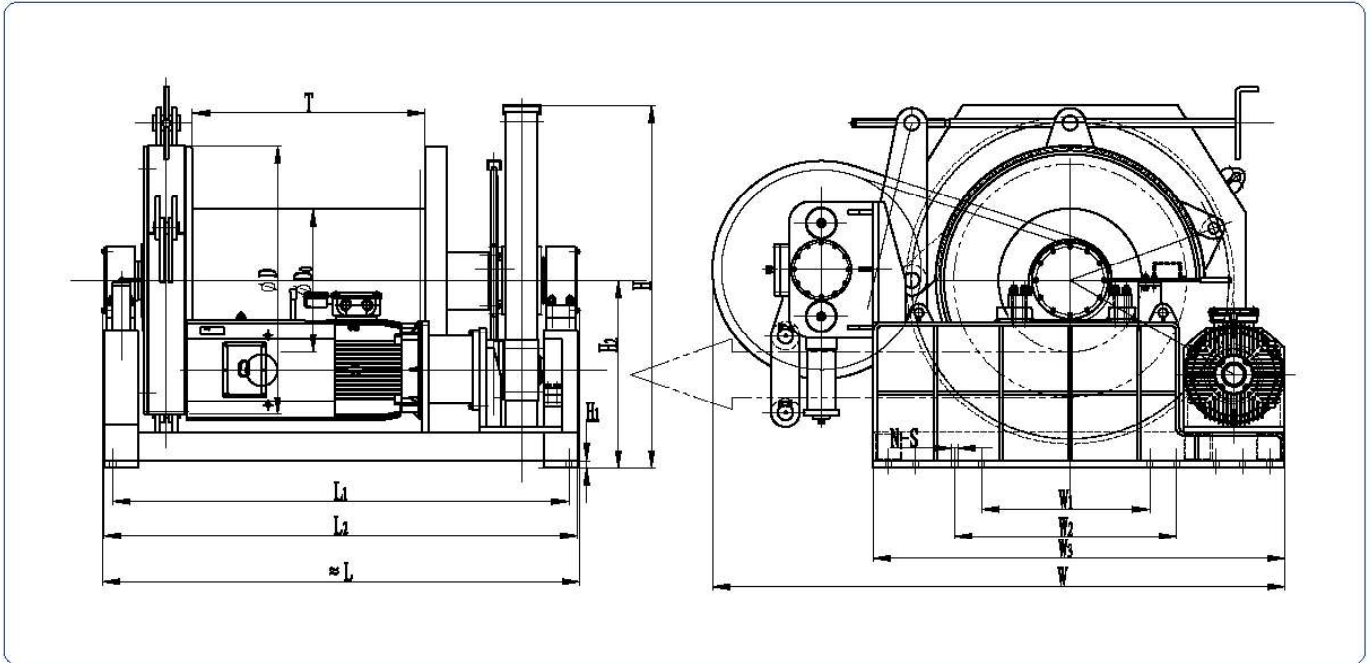
主要性能参数 Main specification											外形尺寸 Overall dimensions																
系列代号 Serial code	型号 Model	第一层 the 1st layer		钢丝绳 直径 Diameter of rope (mm)	层数 layers	容绳量 Capacity of rope (m)	电机型号 Model of electromotor	电机 Parameter of electromotor		减速器 传动比 Ratio	电机功率 Power (KW)	D ₁	D	T	L ₁	L ₂	L ₃	L	W ₁	W ₂	W ₃	W	H ₂	H ₁	H	N	S
		轴力 Axis force (kN)	转速 Speed (r/min)					电压 Volt (V)	频率 Frequency (Hz)																		
IDJ23	IDJ23-10-130-14	10	15	14	4	130	YZ-132B-6-H	380	50	49	3.7	270	460	470	-	438	548	1242	-	380	490	510	22	270	500	4	φ26
	IDJ23-15-130-14	15	15	14	4	130	YZ-132M-6-H	380	50	49	5.5																
	IDJ23-20-130-14	20	18	14	4	130	YZ-160S-6-H	380	50	49	7.5																
	IDJ23-30-130-14	30	16	14	4	130	YZ-160L-6-H	380	50	49	11																
IDJ233	IDJ233-35-171-16	35	10.8	16	4	171	YZ-132M2-4-H	380	50	125	7.5	300	520	635	-	805	865	1285	-	420	520	560	26	275	535	4	φ26
	IDJ233-40-171-16	40	10.8/3.8	16	4	171	JZ2-II-33-4/12	380	50	125	8.5/3.5																
	IDJ233-48-160-18	48	11.5	18	4	160	YBJ162M-4-B5	380	50	100	11																
IDJ234	IDJ234-60-90-18	60	9	18	3	90	YBJ162M-4-B5	380	50	192.5	11	380	532	436	-	624	704	1180	-	460	540	572	30	300	566	4	φ26
IDJ35.55.5	IDJ35.55.5-150-35-24	150	6.2	24	1	35	ISM61-22D15CD	380	100	598.3	18.1	752	952	446	-	906	986	1419	620	870	1000	-	34	565	1041	8	φ26
	IDJ35.55.5-250-35-28	250	6.2	28	1	35	ISM61-30D15CD	380	100	598.3	30.6	760	952	446	600	906	986	1446	620	870	1000	-	34	495	971	16	φ26
IDJ35.55.5	IDJ35.55.5-170-200-36	170	58	36	3	200	TBYC-200	660/1140	150	73.1	200	870	1200	816	740	1140	1220	2023	840	1200	1280	-	39	653	1253	16	φ32
	IDJ35.55.5-220-200-36	220	44.5	36	3	200	TBYC-200	660/1140	150	95.8	200	870	1200	816	740	1140	1220	2023	840	1200	1280	-	39	653	1253	16	φ32
IDJ46	IDJ46-180-43-28	50-180	122-5	28	1	43	YV72-315L ₂ -6-H	380	50	32.04	132	595	655	649.9	-	1020	1080	2369	450	830	1310	-	40	435	791.5	16	φ32



- 注:**
- 1.容绳量为绞车的理论容绳量,实际允许的有效容绳量应考虑保留钢丝绳3圈以防绳头脱出;
 - 2.表格里的外形尺寸均包括电机尺寸,用户若所配电机特殊,则联接部分的过渡板和连接套需特殊加工。

- Note:**
- 1.Drum capacity indicates theoretic valve.Maintain mandatory minimum of three wraps of wire rope to be left on the drum at all times for safety.
 - 2.The dimension of general electric motor is included in above installation drawing.If fitted electricmotor is specific,the connection dimension is also changed.

主要性能参数 Main specification										外形尺寸 Overall dimensions																	
系列代号 Serial code	型号 Model	第一层 the 1st layer		钢丝绳 直径 Diameter of rope (mm)	层数 layer of rope (n)	容绳量 Capacity of rope (t)	电机型号 Model of electromotor	电机 Parameter of electromotor		总 传动比 Ratio	电机功率 Power (KW)	D ₀	D	T	L ₁	L ₂	L ₃	L	W ₁	W ₂	W ₃	W	H ₂	H ₁	E	N	S
		拉力 Fy(t) (200)	绳速 Speed (m/min)					电压 Vol: (V)	频率 Frequency (Hz)																		
IDJ544	IDJ544-45-180-16	45	35	16	4	180	YZ225S-4-II-B35	440	60	67	37	500	840	413	-	614	672	1226	510	750	900	2062	30	455	875	8	φ26
	IDJ544-55-75-22	55	20	22	3	75	YZ200M-6-II-B5	440	60	82	22	440	700	423	-	657	727	1175	390	570	630	1888	40	370	722	8	φ24
	IDJ544-63-93-24	63/73	24.5/11	24	3	93	YZ250M-6/12-II-B35	440	60	67	16/30	440	704	487.5	-	712	782	1283	390	570	630	2038	40	370	722	8	φ24
IDJ33.75	IDJ33.75-83-100-16	83	17	26	4	100	YZ225-6-II-B35	440	60	113	30	500	840	413	-	614	672	1226	510	750	900	2062	30	455	875	8	φ26
IDJ355	IDJ355-200-58-26	200	18.8	26	1	58	YB3-225B-4-II	380	50	185.4	37	640	760	784	920	1200	1298	2098	500	700	828	1865	35	400	840	16	φ32

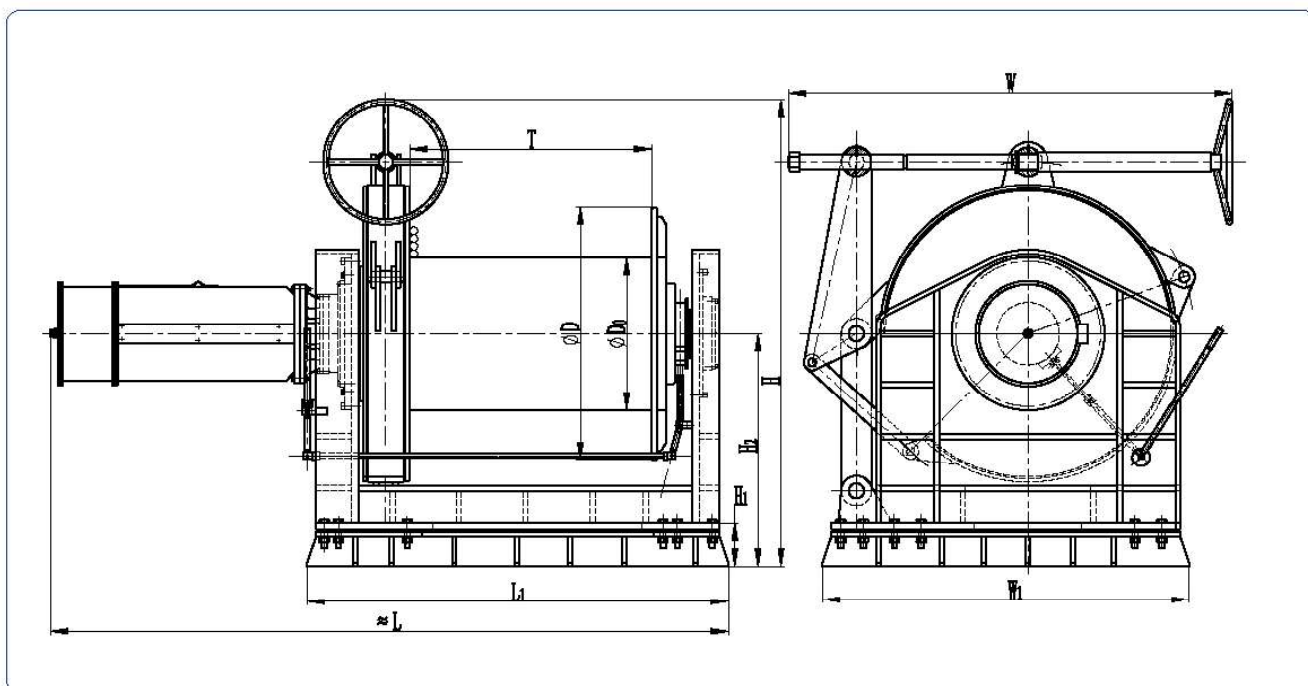


- 注:**
- 1.容绳量为绞车的理论容绳量，实际允许的有效容绳量应考虑保留钢丝绳3圈以防绳头脱出；
 - 2.表格里的外形尺寸均包括电机尺寸，用户若所配电机特殊，则联接部分的过渡板和连接套需特殊加工。

Note:

- 1.Drum capacity indicates theoretic valve.Maintain mandatory minimum of three wraps of wire rope to be left on the drum at all times for safety.
- 2.The dimension of general electric motor is included in above installation drawing.If fitted electricmotor is specific,the connection dimension is also changed.

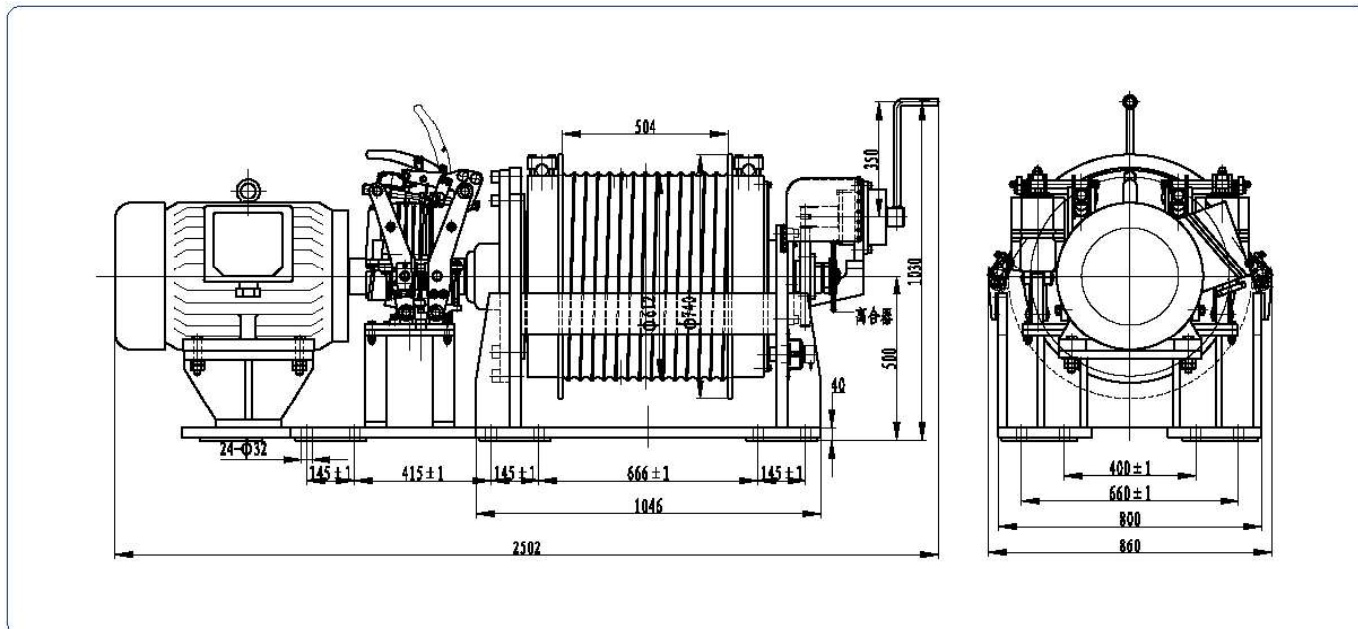
主要性能参数 Main specification										外形尺寸 Overall dimensions																
系列代号 Serial code	型号 Model	第一层 the 1st layer		钢丝绳 直径 layer of rope (mm)	层数 layer of rope (in)	容绳量 Capacity of rope (t)	电机型号 Model of electromotor	电 机 Parameter of electromotor		速 传 比 Ratio	电机功率 Power (KW)	D ₀	D	T	L ₁	L ₂	L	W ₁	W ₂	W ₃	W	H ₁	H ₂	H	N	S
		拉力 Pull (kN)	转速 Speed (r/min)					电压 Volt (V)	频率 Frequency (Hz)																	
IDJ344	IDJ344-50-200-28-D	63	12/5.7/2.75	28	4	200	JZ2-342-4/8/16	380	50	228	11/11/7.5	600	965	630	1050	1100	1864	800	980	1135	1925	30	530	1227	10	Φ26
IDJK34514	IDJK34514-150-400-50-LDB	110/220	8/4	50	5	400	W21-250S/M	380	50	672	37	800	1500	1300	2550	2650	2668	940	1240	2300	3200	40	1050	2030	18	Φ32



- 注:**
- 1.容绳量为绞车的理论容绳量,实际允许的有效容绳量应考虑保留钢丝绳3圈以防绳头脱出;
 - 2.表格里的外形尺寸均包括电机尺寸,用户若所配电机特殊,则联接部分的过渡板和连接套需特殊加工。

- Note:**
- 1.Drum capacity indicates theoretic valve.Maintain mandatory minimum of three wraps of wire rope to be left on the drum at all times for safety.
 - 2.The dimension of general electric motor is included in above installation drawing.If fitted electricmotor is specific,the connection dimension is also changed.

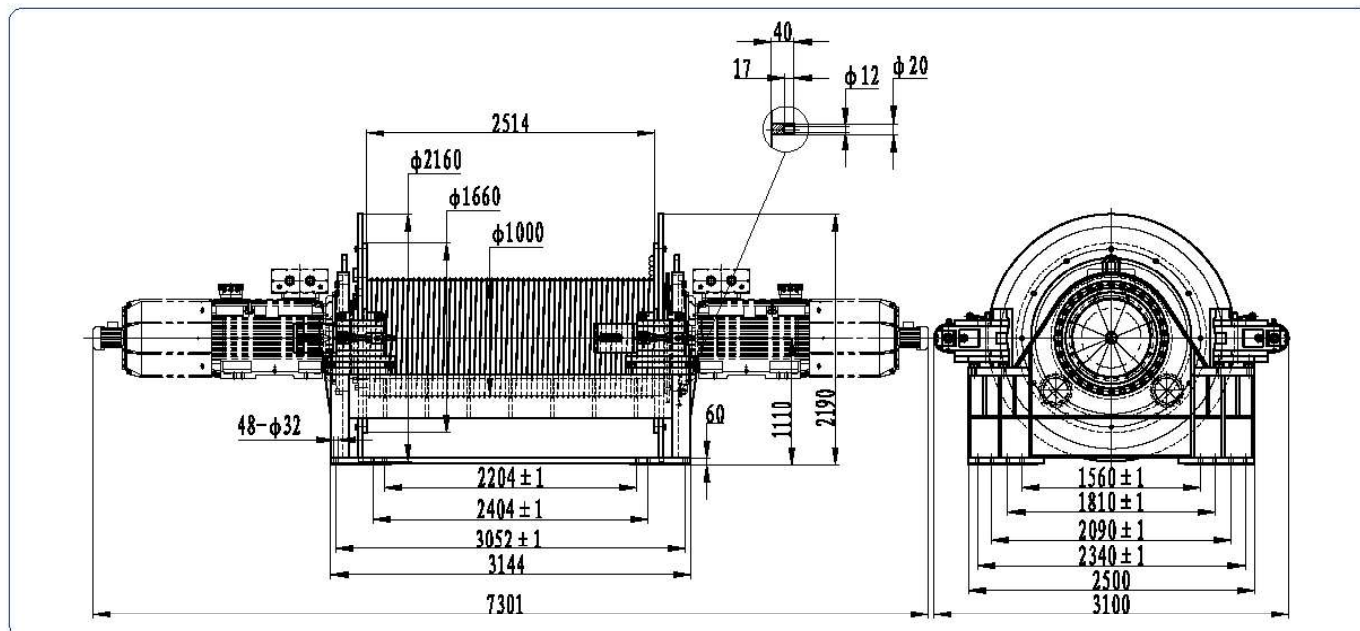
主要性能参数 Main specification											外形尺寸 Overall dimensions										
系列代号 Serial code	型号 Model	第一层 the 1st layer		钢丝绳直径 Diameter of rope (mm)	层数 layer of rope	容绳量 Capacity of rope (m)	电机型号 Model of electricmotor	电动机 Parameter of electricmotor		传动比 Ratio	电机功率 Power (KW)	D ₀	D	T	L ₁	L	W ₁	W	H ₁	H ₂	H
		拉力 Pull (KN)	绳速 Speed (m/min)					电压 Volt (V)	频率 Frequency (Hz)												
IDJ234	IDJ234-40-500-24	40	8	24	8	500	YZL32M2-4-II	380	50	198	7.5	410	914	800	1378	2053	1090	1260	120	620	1275
IDJ35.5S.5	IDJ35.5S.5-150-500-28-D	150	15	28	4	500	YYP22808-6-II-B35	415	50	192.8	50	900	1236	1160	1755	2831	1465	1830	180	945	1920
IDJ479	IDJ479-120-350-43	120/240/360	6.4/3.2/1.6	43	4	350	JX2-II-72-4/8/16	380	50	198	60/60/45	850	1410	1350	2355	3790	2050	2480	240	1300	2610



- 注:**
- 1.容绳量为绞车的理论容绳量，实际允许的有效容绳量应考虑保留钢丝绳3圈以防绳头脱出；
 - 2.表格里的外形尺寸均包括电机尺寸，用户若所配电机特殊，则联接部分的过渡板和连接套需特殊加工。

- Note:**
- 1.Drum capacity indicates theoretic valve.Maintain mandatory minimum of three wraps of wire rope to be left on the drum at all times for safety.
 - 2.The dimension of general electric motor is included in above installation drawing.If fitted electricmotor is specific,the connection dimension is also changed.

型号 Model	第一层 the 1st layer		钢丝绳 直径 Diameter of rope (mm)	层 数 layer	容绳量 Capacity of rope (m)	电机型号 Model of electromotor	电 制 Parameter of electromotor		减速器 传动比 Ratio	电机功率 Power (KW)
	拉力 Pull (KN)	绳速 Speed (m/min)					电压 Volt (V)	频率 Frequency (Hz)		
IDJ35.55.5-300-18-34	300	4.5	34	1	18	Y225M-6-II-B3	380	50	439.8	30



- 注:**
- 1.容绳量为绞车的理论容绳量，实际允许的有效容绳量应考虑保留钢丝绳3圈以防绳头脱出；
 - 2.表格里的外形尺寸均包括电机尺寸，用户若所配电机特殊，则联接部分的过渡板和连接套需特殊加工。

- Note:**
- 1.Drum capacity indicates theoretic valve.Maintain mandatory minimum of three wraps of wire rope to be left on the drum at all times for safety.
 - 2.The dimension of general electric motor is included in above installation drawing.If fitted electricmotor is specific,the connection dimension is also changed.

型号 Model	第一层 the 1st layer		钢丝绳 直径 Diameter of rope (mm)	层数 layer	容绳量 Capacity of rope (m)	电机型号 Model of electromotor	电制 Parameter of electromotor		减速器 传动比 Ratio	电机功率 Power (KW)
	拉力 Pull (KN)	绳速 Speed (m/min)					电压 Voli (V)	频率 Frequency (Hz)		
IDJ699-600-1000-44	600	2-60	44	5	1000	SXLEB355ML..S-IM2001	440	60	88.3116	350x2

● HW 系列车用绞盘

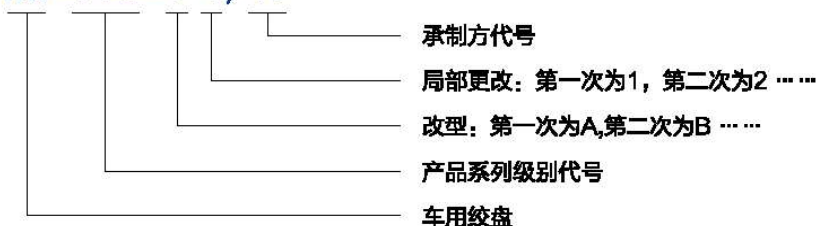
1. 概述

HW系列车用绞盘是本公司的专利产品，主要由轴向柱塞马达、通油盘或通油阀块、液压常闭多片式制动器、多级行星减速器、常闭式气动离合器、机架、卷筒、支撑轴等组成。通油盘集成了液压平衡阀、过载保护阀、梭阀及卸荷阀等。由于绞盘自带阀组，它不但简化了液压系统而且提高了传动装置的工作可靠性。除此，它还具有可测量绞盘钢丝绳拉力、速度、绳长、可调速、带离合器可人工放绳等功能，具有结构紧凑、体积小、重量轻、功率密度高、外形美观、卷筒带双折线绳槽不乱绳等优点。

该系列产品拉力为5kN~500kN规格齐全，品种多样。它广泛用于起重抢救车、越野车、军用重型车辆和推土机等车辆上，用于抢救损坏的或陷入淤泥中的各种车辆，并可实施拖曳重物和进行自救等作业。该系列产品已在国内主要特种车辆上广泛应用，并得到了国内主要特种车辆生产厂家的认可。

2. 型号说明

HW-***-* */**



3. 型号举例

HW-150A/INI, HW表示车用绞盘，150表示第一层标定拉力150kN，A表示第一次改型车用绞盘，INI表示承制方为意宁液压股份有限公司。

4. 参数说明

- 总排量是指卷筒每转所需供给的理论供油流量(ml/r)。
- 供油流量是指泵的理论供油流量，即在考虑系统容积效率在0.85~0.94情况下的计算值(L/min)。
- 容绳量为绞盘的理论容绳量，实际允许的有效容绳量应考虑卷筒最少保留3圈钢丝绳，以防绳头脱出。
- 此绞盘不允许载人提升或下放。

● HW Series Winch for Vehicle

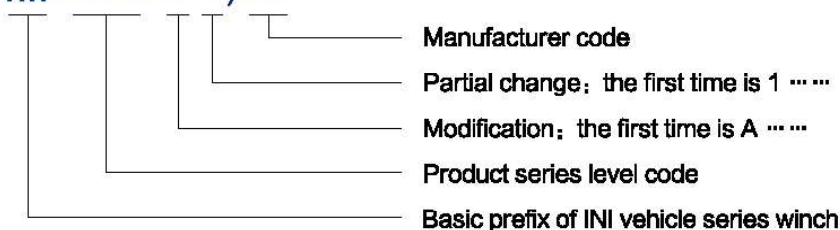
1. Brief introduction

HW series winch for vehicle are patent products of our company. It is mainly composed of axial plunger motor, oil tray or oil valve block, hydraulic normally closed multi-chip brake, multi-stage planetary reducer, normally closed pneumatic clutch, flame, drum, support shaft, etc. The oil tray integrates hydraulic balance valve, overload protection valve, shuttle valve and load unloading valve, etc. Due to fit with valve block, not only simplified the design of hydraulic system but also improved the reliability of drives. In addition, it also has the functions of measuring the tension, speed, capability of drum, adjustable speed, manual rope with clutch, etc. It has the advantages of compact structure, small size, light weight, high power density, beautiful appearance, etc.

The tension of this series of products is 5kN ~ 500Kn, with complete specifications and diverse varieties. Therefore, the series have been widely applied to hoisting salvage vehicles, cross country vehicle, military heavy truck, bulldozer. It can be used to rescue various vehicles damaged or involved in mud and also used to pull heavy objects and to save self. HW series winch for vehicle have been well sold in China, it has also been recognized by major domestic special vehicle manufacturers.

2. Model options

HW-***-* */**

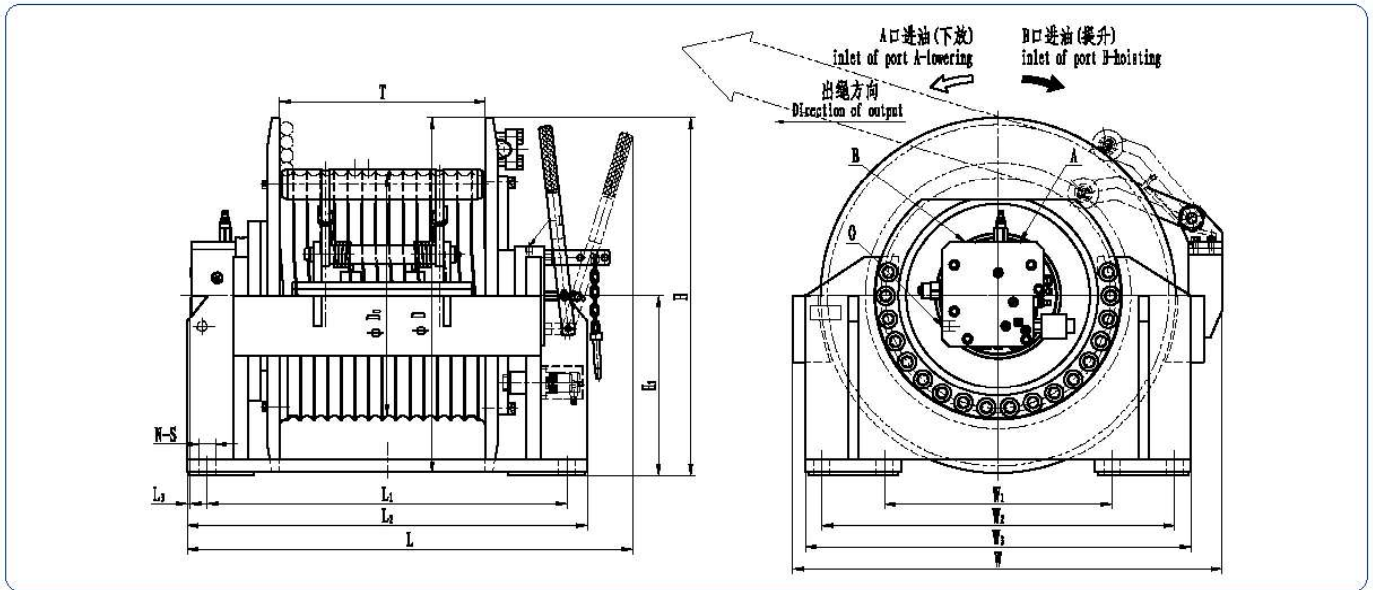


3. Options example

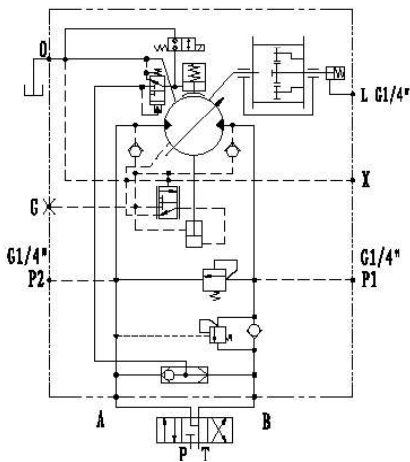
HW-150A/INI,HW represents series winch for vehicle, 150 represents the rated line pull on first layer is 150kN, A represents the first time partial change series winch for vehicle, INI represents the manufacturer is INI HYDRAULIC CO.,LTD.

4. Parameter description

- Total displacement represents the capacity of oil supply per revolution.
- Flow of oil supply indicates theoretical flow of pump when the volumetric efficiency is considered as 85%–94%.
- Drum capacity is theoretical drum capacity. The practical available capacity of rope should subtract the retained 3m wire in case of rope headis out of hand.
- This winch can't be used to carry people.



液压原理图
Hydraulic principle diagram



注意事项:

1. 离合器气压控制, 控制压力 $5\text{bar} < P_L < 8.5\text{bar}$;
2. 马达泄漏口必须直接回油箱, 不允许将马达O口与马达主回油路T口接到一起;
3. 车用绞盘不允许载人;
4. 绞盘在受力情况下不可使用离合器;
5. 离合器合上后必须将防脱出保护板挡住离合器手柄, 以防绞盘在工作过程中, 离合器脱出, 发生危险。

Note:

1. Clutch air pressure control, control pressure $5\text{bar} < P_L < 8.5\text{bar}$;
2. The drain port of the hydraulic motor must be separately connected to the hydraulic reservoir;
3. The winch is not designed for operation involving lifting or moving personnel;
4. The operation of switch off clutch must be carried out under stop of the winch. The operation of switch on clutch should be done without load on drum and put the latch of clutch in proper position when working;
5. After pulling in clutch, please obtain the retained plate to block hand level of clutch to avoid pulling out clutch in working condition.



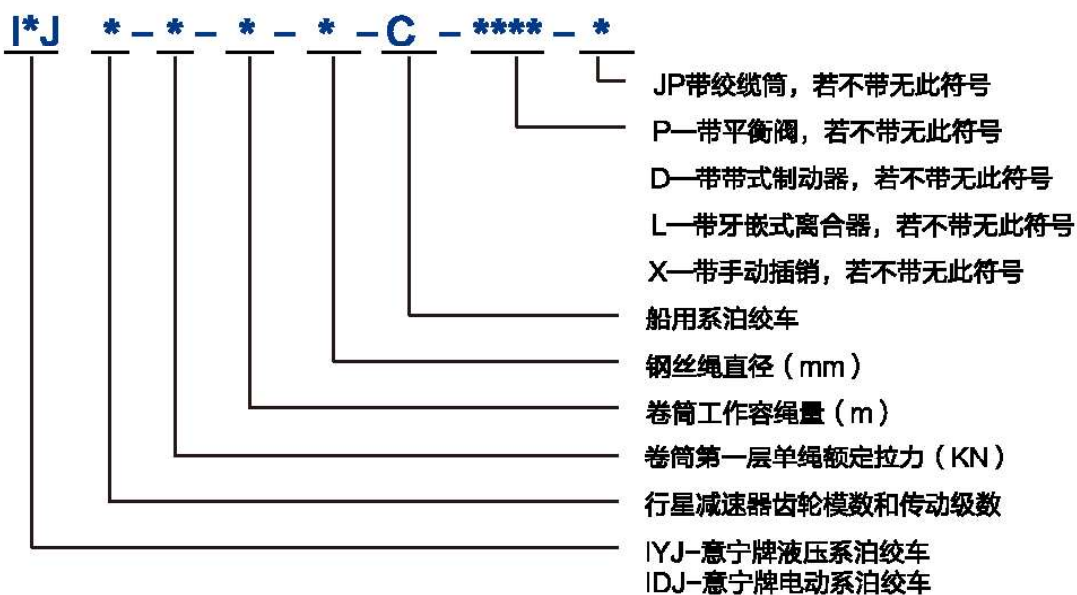
系列代号 Serial code	第一层拉力 The 1st Layer Pull (kN)		第一层绳速 The 1st Layer Rope Speed (m/min)		总排量 Displacement (ml/r)		工作压力 Working pressure (MPa)	供油流量 Supply oil flow (L/min)	钢丝绳直径 Diameter of rope (mm)	层数 Layer	容量 Capacity of rope (m)	减速器传动比 Gearbox ratio	外形尺寸及油口规格 Overall dimensions and oil ports specifications																
	重载 Heavy load	轻载 Light load	重载 Heavy load	轻载 Light load	重载 Heavy load	轻载 Light load							D _o	D	T	L ₁	L ₂	L ₃	L	W ₁	W ₂	W ₃	W	H ₁	H	N	S	A, B	O
HW100A	100	-	11	-	7120.7	-	21	90	16	2	45	137.2	295	386	378	636	688	5	693	217	331	433	503	200	393	8	φ26	G3/4"	G3/8"
HW150A	150	50	10~12	23~27	12231.3	5596	17~25	115	22	4	104	139.9	370	555	431	1670	728	31	854	340	544	605	649	282	559	8	φ26	G3/4"	G1/2"
HW200A	200	30~50	6.2~8	17~28.5	14160	6488	17~25	110	22	4	110	162.2	370	555	431	1670	728	131	859	340	544	605	669	297	559	8	φ29	M33x2	M18x1.5
HW250A	250	-	7.4	16.3	22769.6	10432.8	22	120	26	4	100	260	470	695	402	473	695	39	863	486	650	755	840	411	758	16	φ22	G3/4"	G1/2"
HW250B	250	50	7.4	24.5	23005	6880	17~20	120	26	4	105	215	470	695	402	704	783	125	908	445	691	781	841	368	715	8	φ32	M33x2	M18x1.5
HW280A	280	70	7	25	23424	6295	22~23	120	28	4	105	146.4	470	750	441	780	840	25	840	475	715	810	879	425	800	16	φ26	G3/4"	G1/2"
HW280B	280	70	6	13	22769.6	10432.8	15~25	97	28	4	105	260	470	750	441	780	840	146	986	416	656	750	830	380	755	16	φ26	M33x2	M27x2
HW300A	300	50	7	27.5	23424	5856	19~26	120	28	4	96	146.4	470	750	441	733	780	184	964	440	658	750	886	380	755	8	φ32	M33x2	M26x1.5
HW315A	315	60	6.9	25.4	26857	7530	21~25	130	28	4	105	251	470	750	441	787	856	71	942	540	680	800	869	420	795	16	φ32	M33x2	M18x1.5
HW400A	400	100	4.5	11.5	45920	17220	20~22	126	32	4	96	287	555	835	436	742	799	201	1000	605	829	899	946	423	840	16	φ32	M33x2	M27x2
HW450A	450	150	4.5	7	43071.6	27610	15~25	117	34	5	100	251	555	963	357	780	860	146	1006	680	940	1023	1103	492	973	24	φ33	M27x2	G1/2"
HW500A	500	100	7.3	11.7	49249.2	31570	17~27	185	40	4	90	287	630	1030	412	885	955	237	1192	720	950	1090	1090	590	1105	16	φ32	φ30	G1/2"

● I*J--C系列系泊绞车

1. 概述

I*J--C 系列系泊绞车是本公司的专利产品，由具有制动和过载保护功能的阀组，液压马达(或电机)、行星减速器、带式制
离合器、卷筒、绞缆筒和机架等部件组成。由于绞车自带阀组，它不但简化了液压系统而且提高了传动装置的工作可靠性。该
车可带张力阀组，此时系泊缆绳具有恒张力功能，除此，它还具有起动和工作时效率高，与传统的开式齿轮传动的系泊绞车相
I*J-C 系列系泊绞车由于采用闭式行星减速器替代开式齿轮，用滚动轴承替代铜瓦滑动轴承，使其传动总效率提高了6~10%
有明显节能效果。由于上述改进使它具有外形尺寸更紧凑、美观，噪音低，无需日常润滑维护，经济性好等特点。本产品性能
GB4446-84 船用系泊绞车国家标准。该产品已在国内船舶行业广泛应用，并以出口到英国、荷兰、澳大利亚等国家。

2. 型号说明



3. 型号举例

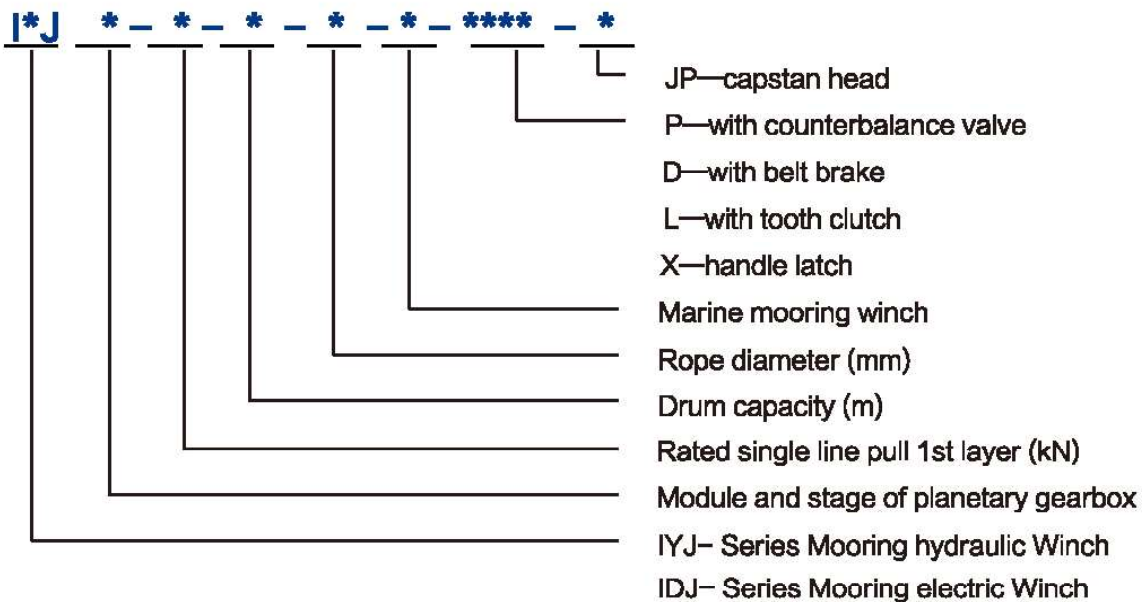
IYJ45-80-180-26-C-PDLX-JP 表示此液压系泊绞车的行星减速器为双级行星减速器，第一级齿轮模数为4，第二级齿
5，钢丝绳的第一层额定拉力为80KN，卷筒工作容绳量为180m，钢丝绳直径为26mm，此绞车带单向平衡阀、带式制
器、手动插销及绞缆筒。

● I*J--C Mooring Winch Series

1. Brief Introduction

I*J--C series mooring winch are patent products of our company. They consist of valve blocks with function of and overload protection, hydraulic motor (electromotor with brake), planetary gearbox, belt brake, tooth clutch, drum capstan head, frame and so on. Due to fit with valve block, not only simplified the design of hydraulic system but also improved the reliability of drives. And the winch series could have CT function if fitted with constant tension valve block. The series also have high startup efficiency and working efficiency. In addition, compared with traditional mooring winch, total transmission efficiency of the series is improved 6~10% and energy loss is lower because of closed planetary gearbox instead of open gear, and rolling bearing instead of tegular sliding bearing. These improvements bring to a series of features included compact design, lower noise, high economy and free daily lubrication maintenance. The series meets national mooring winches standard of GB4446-84. Therefore they have been widely applied in domestic ship machinery and have been exported to Malaysia, Netherlands, Australia and so on.

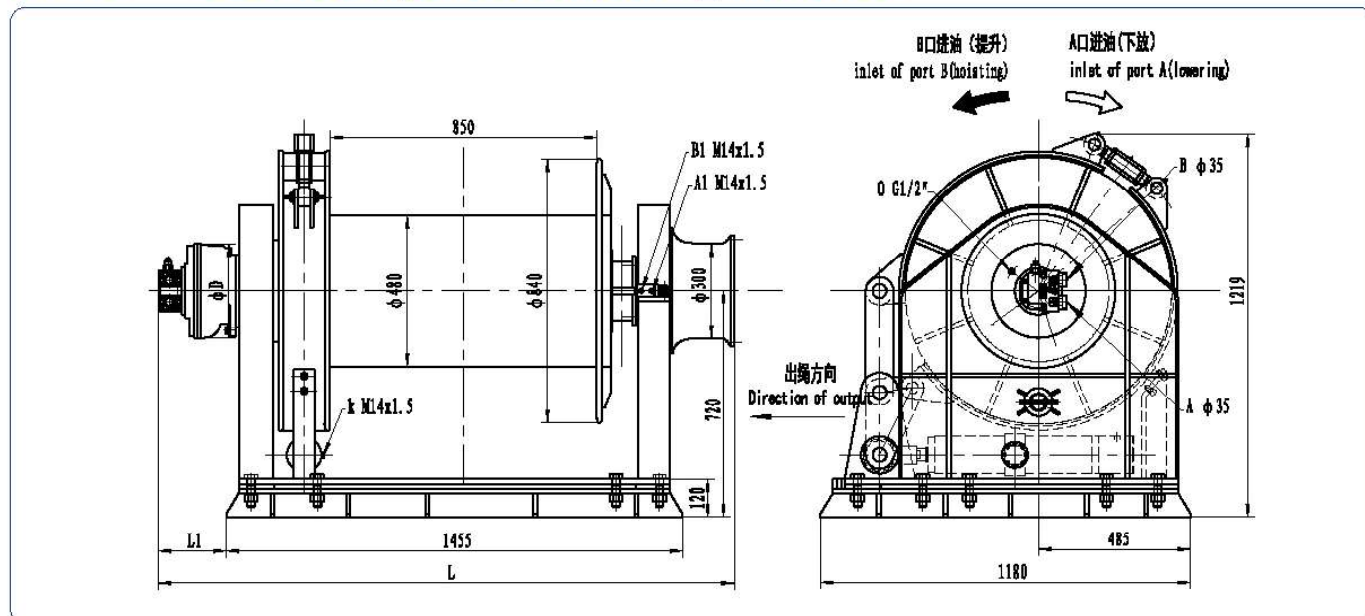
2. Model Options



3. Options Example

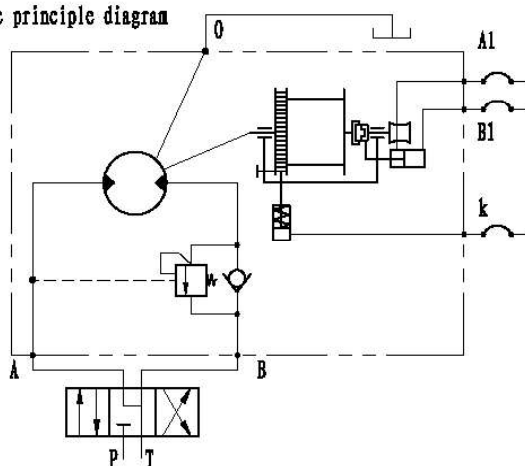
IYJ45-80-180-26-C-PDLX-JP represents that the module of two stages planetary gearbox are 4 and 5 respectively, rated pulling force on 1st layer is 80kN, drum capacity is 180m, rope diameter is 26mm, and the winch fits with belt brake, counterbalance valve, and tooth clutch, handle latch and capstan head.

IYJ45---C系列液压系泊绞车 IYJ45---C Series Hydraulic Mooring Winches



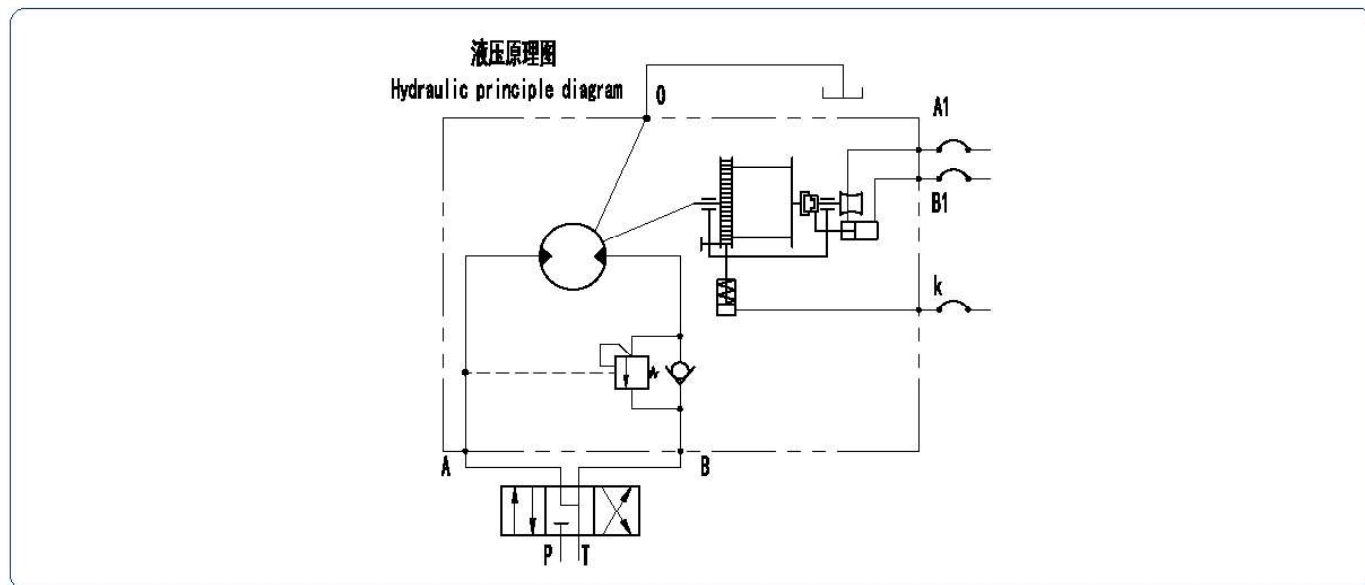
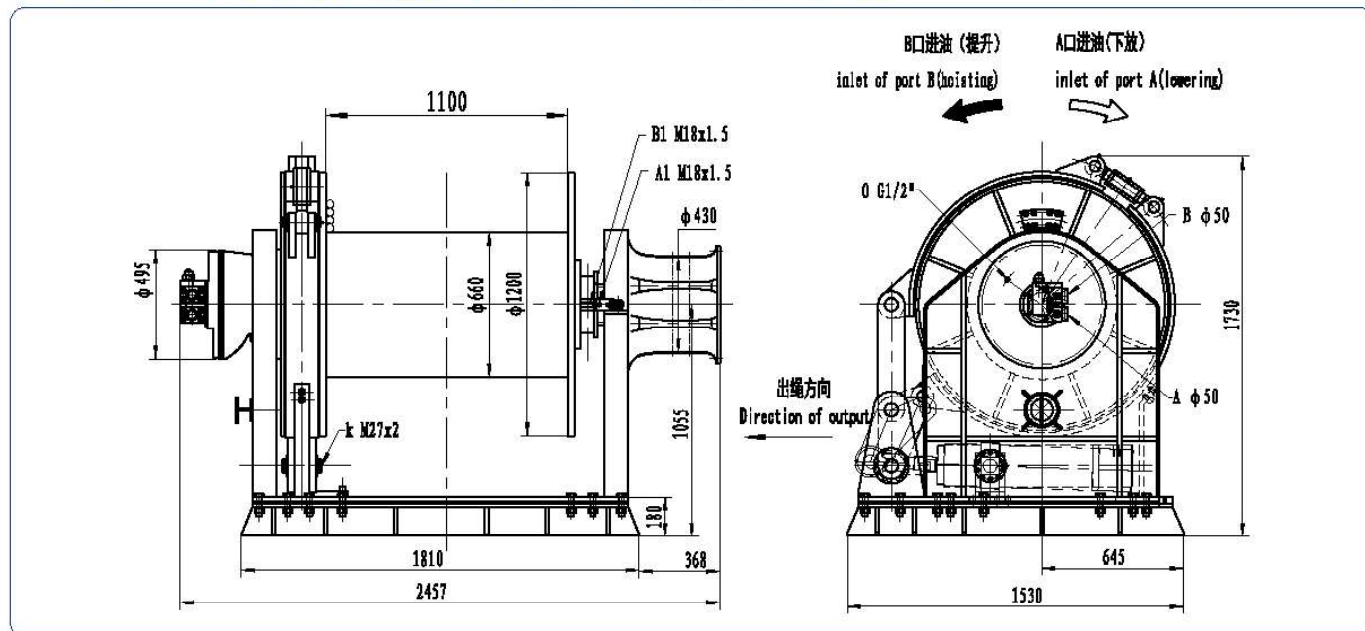
液压原理图

Hydraulic principle diagram



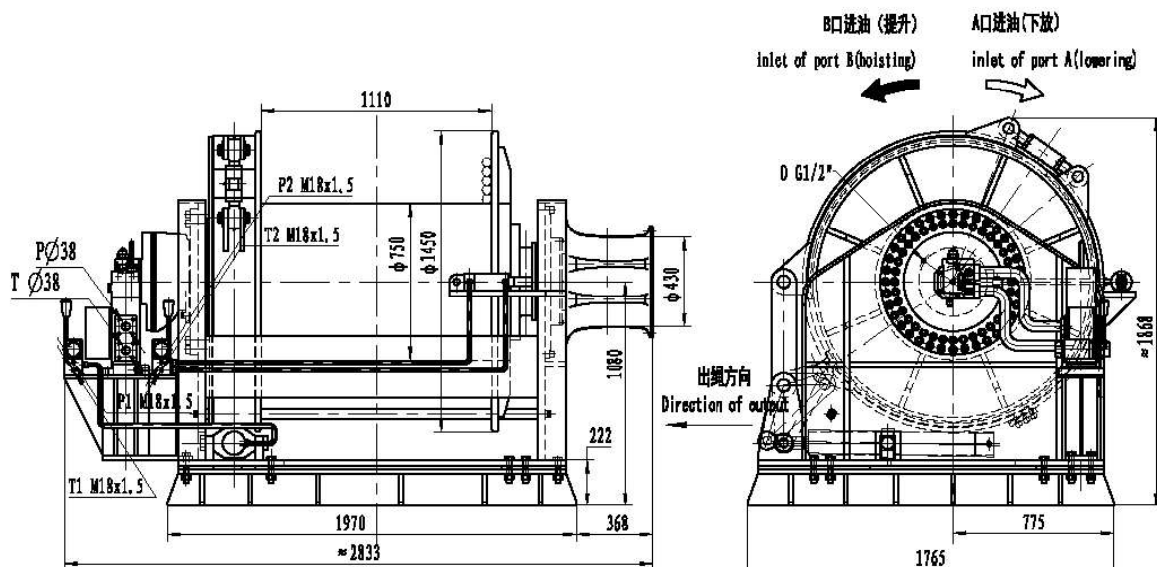
型号 Model	卷筒负载 Drum load (KN)	支持负载 Holding load (KN)	公称速度 Nominal Speed (m/min)	空载速度 Light-line Speed (m/min)	爬行速度 Creep Speed (m/min)	总排量 Total displacement (mL/r)	额定压力 Rated Pressure (MPa)	供油流量 Supply oil flow (L/min)	钢丝绳直径 Diameter of rope (mm)	层数 Layer	容量 Capacity of rope (m)	D (mm)	L1 (mm)	L (mm)
IYJ45-50-280-20-C-PDLX-JP	50	150	15	30	0.5	6804	16	69	20	4	280	242	191	1810
IYJ45-65-265-22-C-PDLX-JP	65	200	15	30	0.5	8792	16	89	22	4	265	242	191	1810
IYJ45-80-250-24-C-PDLX-JP	80	240	15	30	0.5	11900	15	120	24	4	250	304	216	1835
IYJ45-100-230-26-C-PDLX-JP	100	270	15	30	0.5	15820	14.5	158	26	4	230	304	216	1835
IYJ45-125-220-28-C-PDLX-JP	125	310	15	30	0.5	17444	16	174	28	4	220	304	216	1835
IYJ45-150-200-30-C-PDLX-JP	150	420	15	30	0.5	22176	15.6	219	30	4	200	380	239	1858

IYJ56---C系列液压系泊绞车 IYJ56---C Series Hydraulic Mooring Winches

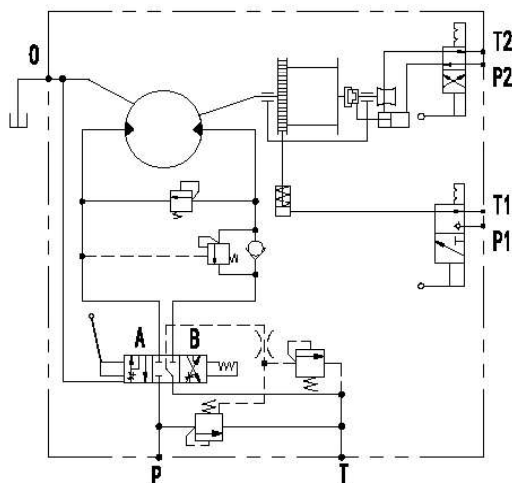


型号 Model	卷筒负载 Drum load (KN)	支持负载 Holding load (KN)	公称速度 Nominal Speed (m/min)	空载速度 Light-line Speed (m/min)	爬行速度 Creep Speed (m/min)	总排量 Total displacement (mL/r)	额定压力 Rated Pressure (MPa)	供油流量 Supply oil flow (L/min)	钢丝绳直径 Diameter of rope (mm)	层数 Layer	容量 Capacity of rope (m)
IYJ56-160-330-32-C-PDLX-JP	160	470	15	30	0.5	33180	15	252	32	4	330
IYJ56-180-310-34-C-PDLX-JP	180	520	13	30	0.5	37520	15	246	34	4	310
IYJ56-200-290-36-C-PDLX-JP	200	590	12	30	0.5	40936	15	248	36	4	290

IYJ67---C系列液压系泊绞车 IYJ67---C Series Hydraulic Mooring Winches

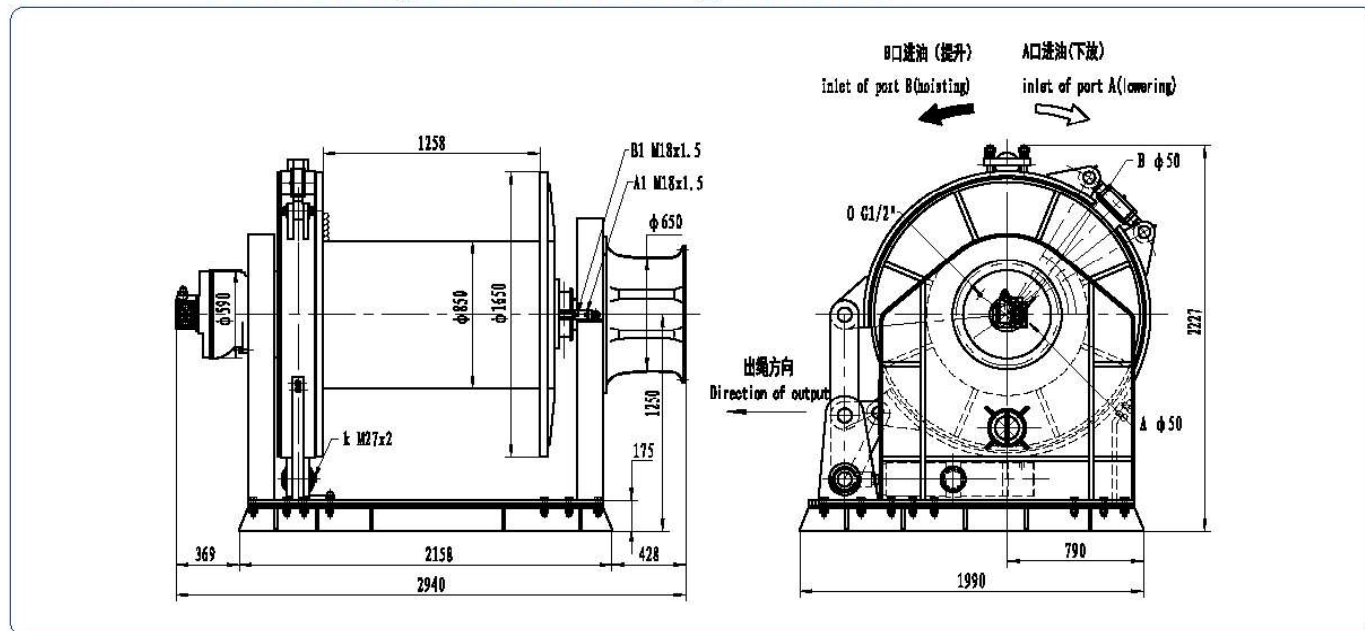


液压原理图
Hydraulic principle diagram

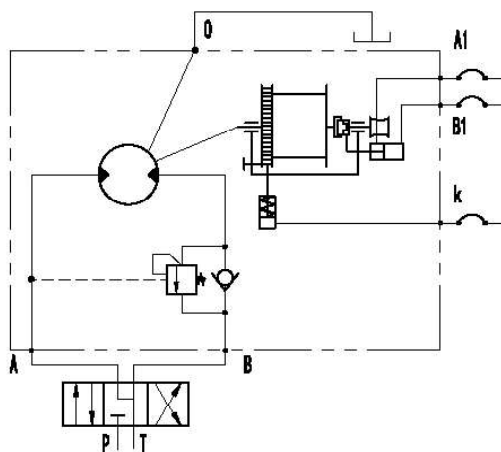


型号 Model	卷筒负载 Drum load (KN)	支持负载 Holding load (KN)	公称速度 Nominal Speed (m/min)	空载速度 Light-line Speed (m/min)	爬行速度 Creep Speed (m/min)	总排量 Total displacement (mL/r)	额定压力 Rated Pressure (MPa)	供油流量 Supply oil flow (L/min)	钢丝绳直径 Diameter of rope (mm)	层数 Layer	容绳量 Capacity of rope (m)
IYJ67-220-400-38-C-PDLX-JP	220	630	12	20	0.5	50848	15	273	38	5	400
IYJ67-250-390-40-C-PDLX-JP	250	720	12	20	0.5	59556	15	320	40	5	390
IYJ67-280-380-42-C-PDLX-JP	280	810	10	20	0.5	70364	14	314	42	5	380

IYJ79---C系列液压系泊绞车 IYJ79---C Series Hydraulic Mooring Winches

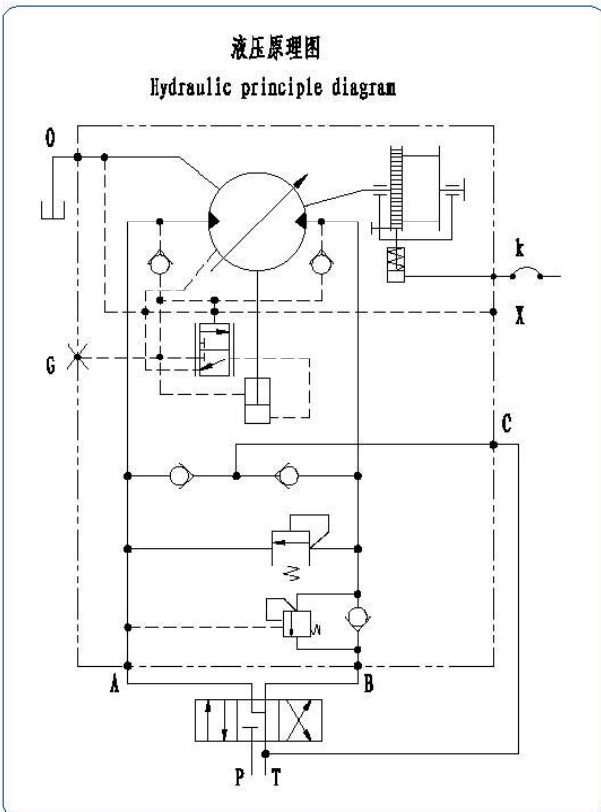
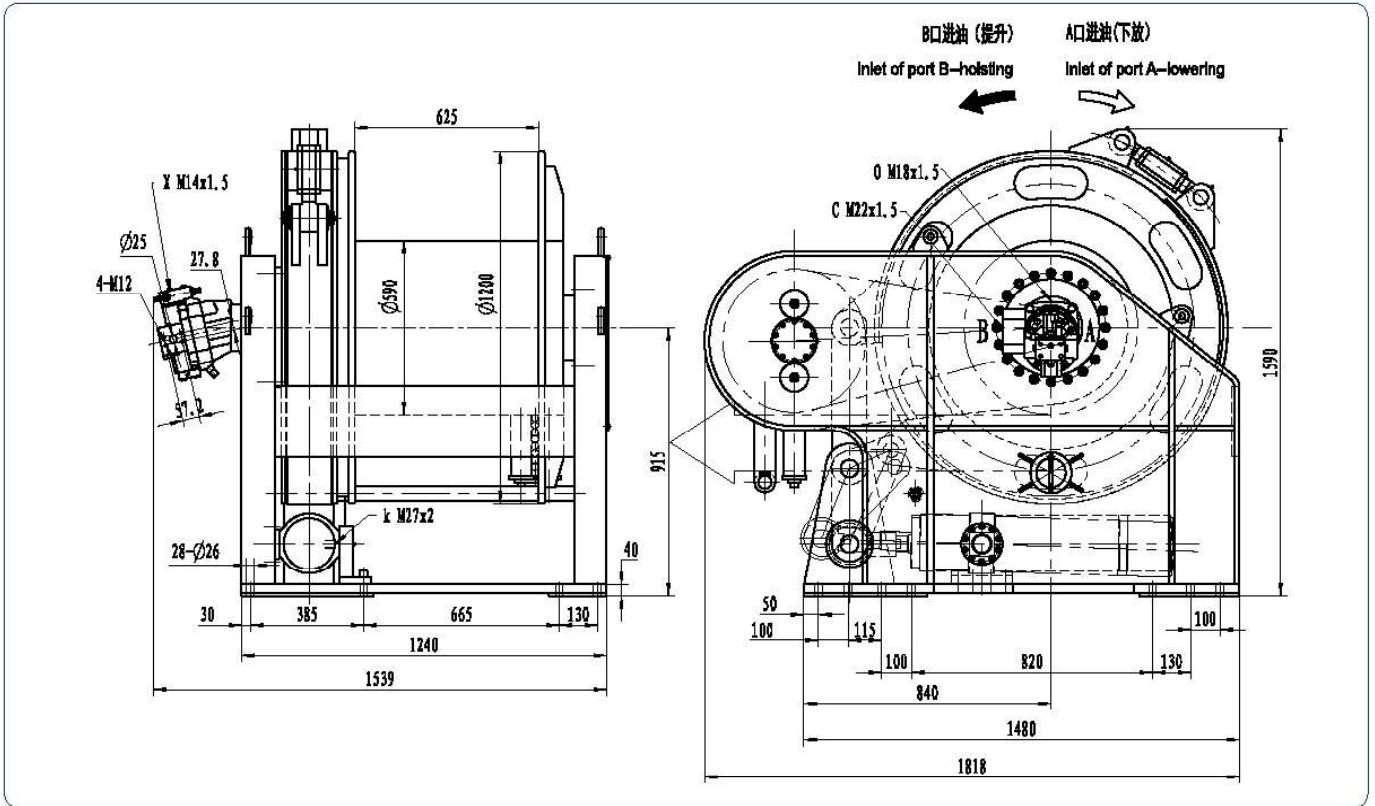


液压原理图
Hydraulic principle diagram



型号 Model	卷筒负载 Drum load (KN)	支持负载 Holding load (KN)	公称速度 Nominal Speed (m/min)	空载速度 Light-line Speed (m/min)	爬行速度 Creep Speed (m/min)	总排量 Total displacement (mL/r)	额定压力 Rated Pressure (MPa)	供油流量 Supply oil flow (L/min)	钢丝绳直径 Diameter of rope (mm)	层数 Layer	容绳量 Capacity of rope (m)
IYJ79-315-330-46-C-PDLX-JP	315	940	10	20	0.5	79442	16	313	46	4	330
IYJ79-400-310-50-C-PDLX-JP	400	1080	10	20	0.5	94556	17	370	50	4	310
IYJ79-500-300-52-C-PDLX-JP	500	1350	10	20	0.5	94556	21	370	52	4	300

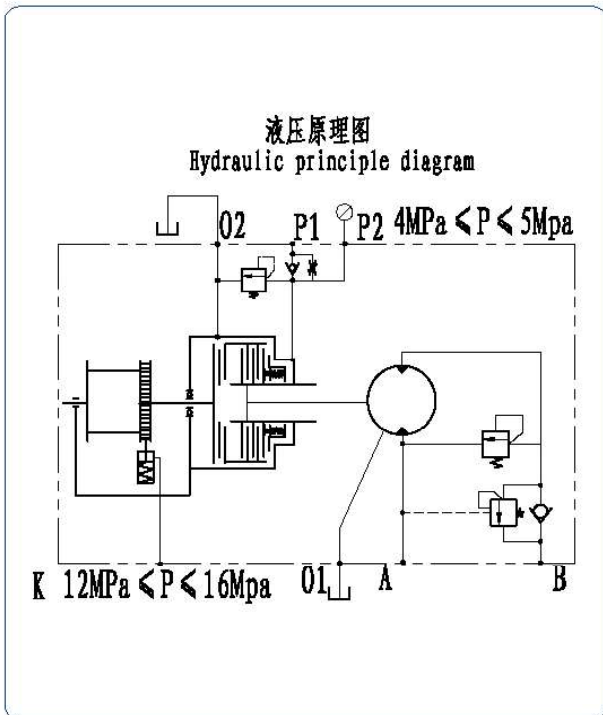
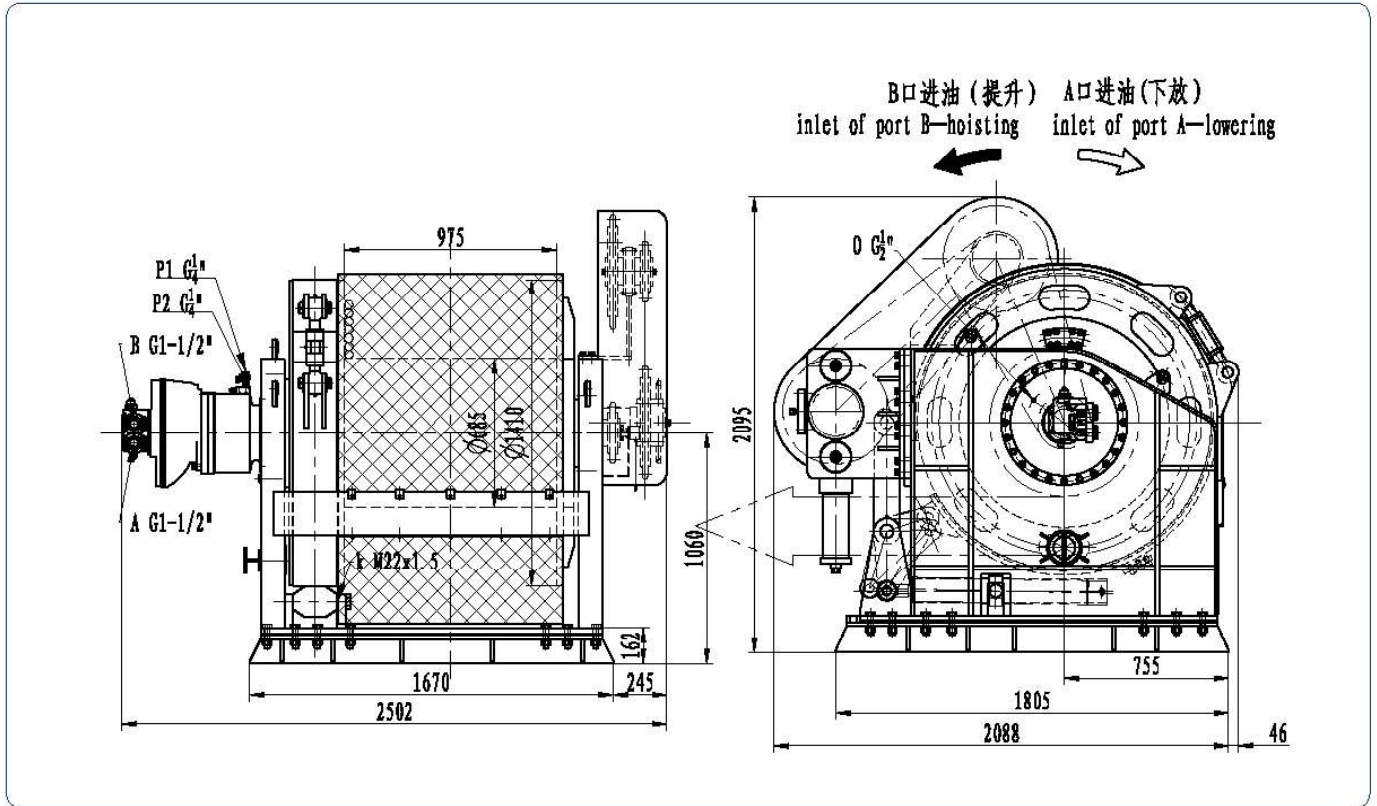
IYJ34.54.5-100 / 50-500-24-C-PDX



主要技术参数
Main Specification

第一层拉力	Rated working pull 1st layer (kN)	100/50
第一层绳速	Speed 1st layer (m/min)	15/30
总排量	Drum displacement (mL/r)	10143.6/5119.2
系统压力	System rated pressure (MPa)	25
钢丝绳直径	Diameter of rope (mm)	24 ^{+0.6} ₀
层数	Number of rope layers	8
容绳量	Capability of drum (m)	490
供油流量	Pump flow (L/min)	90 (η _v =0.9)
液压马达型号	Hydraulic motor type	A6V107HD22FZ2-054
行星减速器型号	Planetary gearbox type	IGT60W3-B95-A6V107 (i=94, 8)

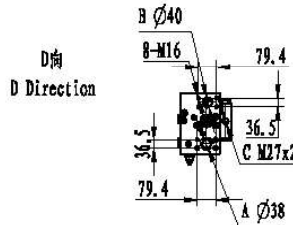
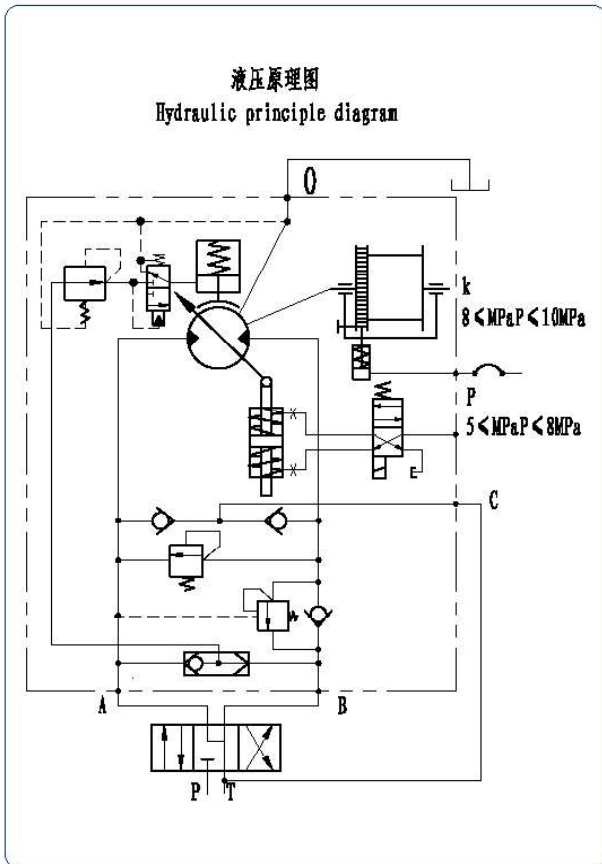
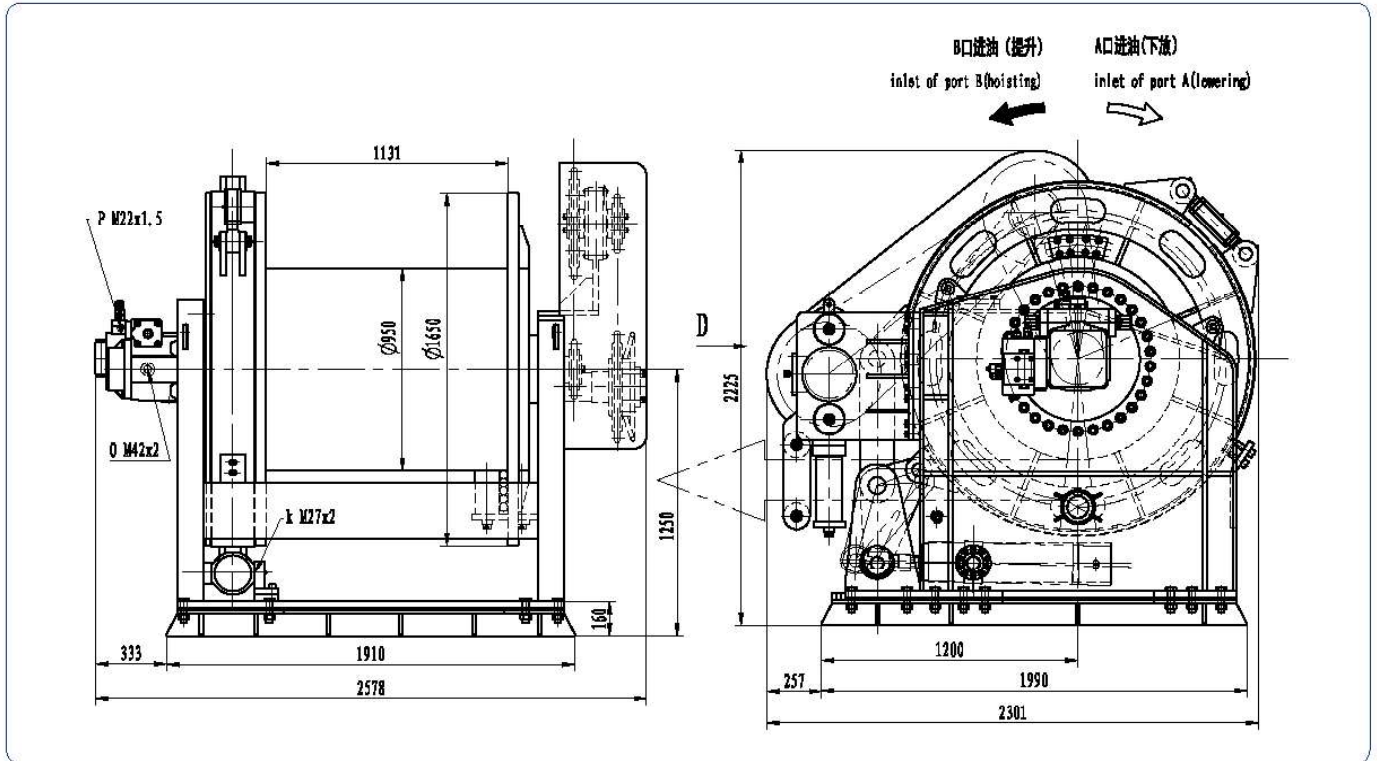
IYJ56-200-500-38-C-PDLX



主要技术参数
Main Specification

第一层拉力	Rated working pull 1st layer (kN)	200
支持负载	Brake support load (kN)	600
第一层绳速	Speed 1st layer (m/min)	15.6
总排量	Drum displacement (ml/r)	40936
系统压力	System rated pressure (MPa)	16
钢丝绳直径	Diameter of rope (mm)	$38^{+0.75}_0$
层数	Number of rope layers	7
容绳量	Capability of drum (m)	500
供油流量	Pump flow (L/min)	300 ($\eta v=0.94$)
液压马达型号	Hydraulic motor type	INM5-1450D48011
行星减速器型号	Planetary gearbox type	CS6 (i=28)

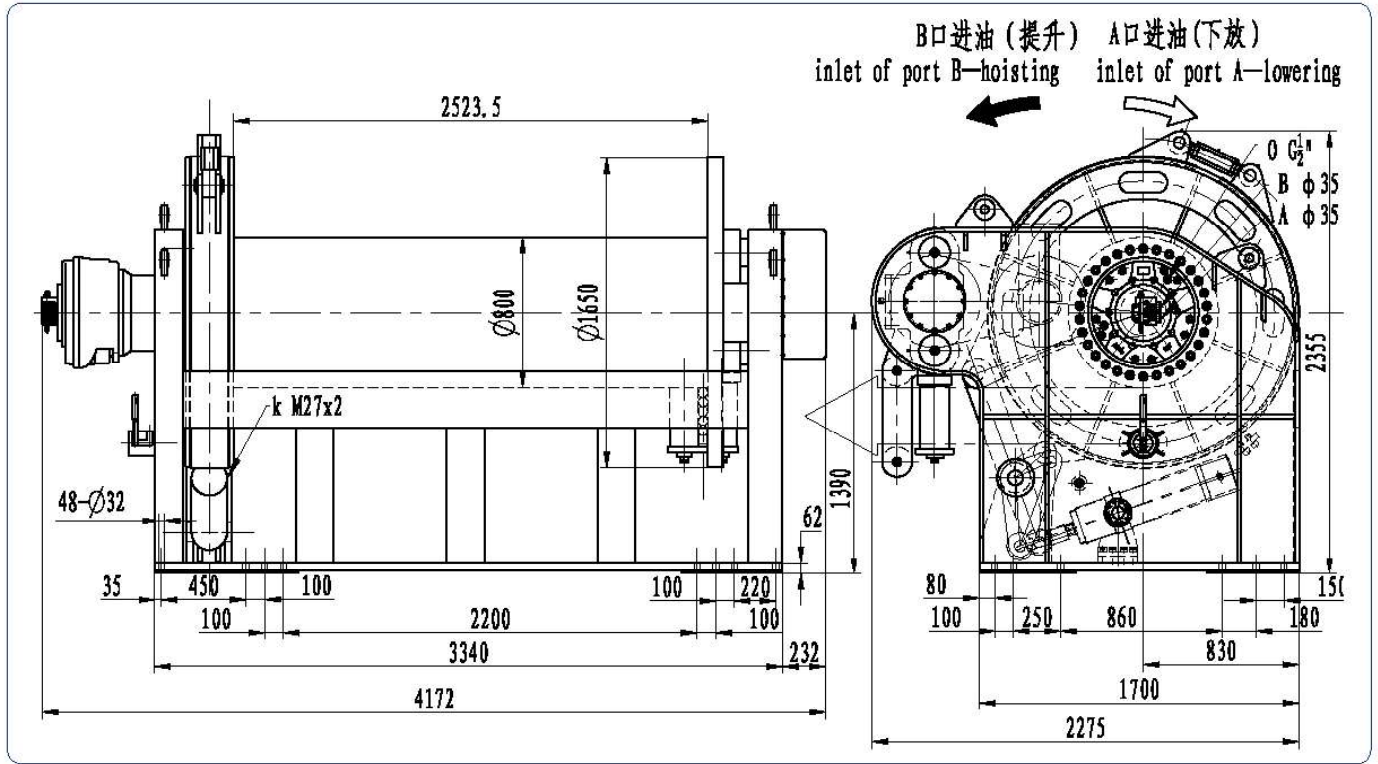
IYJ699-C



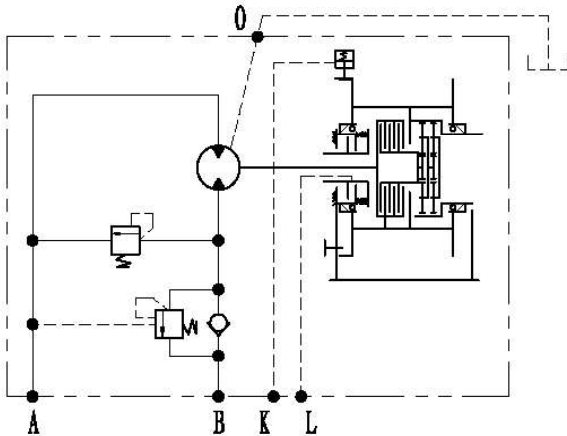
主要技术参数
Main Specification

第五层拉力 Rated working pull fifth layer (kN)	350/140
支持负载 Brake support load (KN)	500
第一层绳速 Speed 1st layer (m/min)	6/12
总排量 Drum displacement (ml/r)	75600/37800
系统压力 System rated pressure (MPa)	26/10.5
钢丝绳直径 Diameter of rope (mm)	$38^{+0.75}_0$
层数 Number of rope layers	5
容绳量 Capability of drum (m)	500
供油流量 Pump flow (L/min)	162 ($\eta_v=0.9$)
液压马达型号 Hydraulic motor type	HLA4VSM2500Z-125
行星减速器型号 Planetary gearbox type	IGC330W3-B302-A4V250 (i=302.4)

IYJ99-600-1000-50-C-PDLX



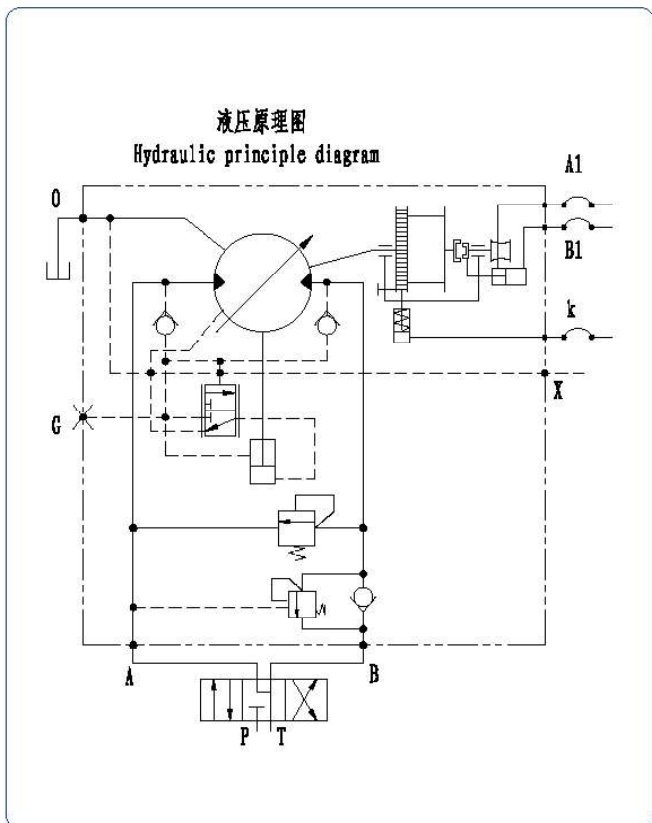
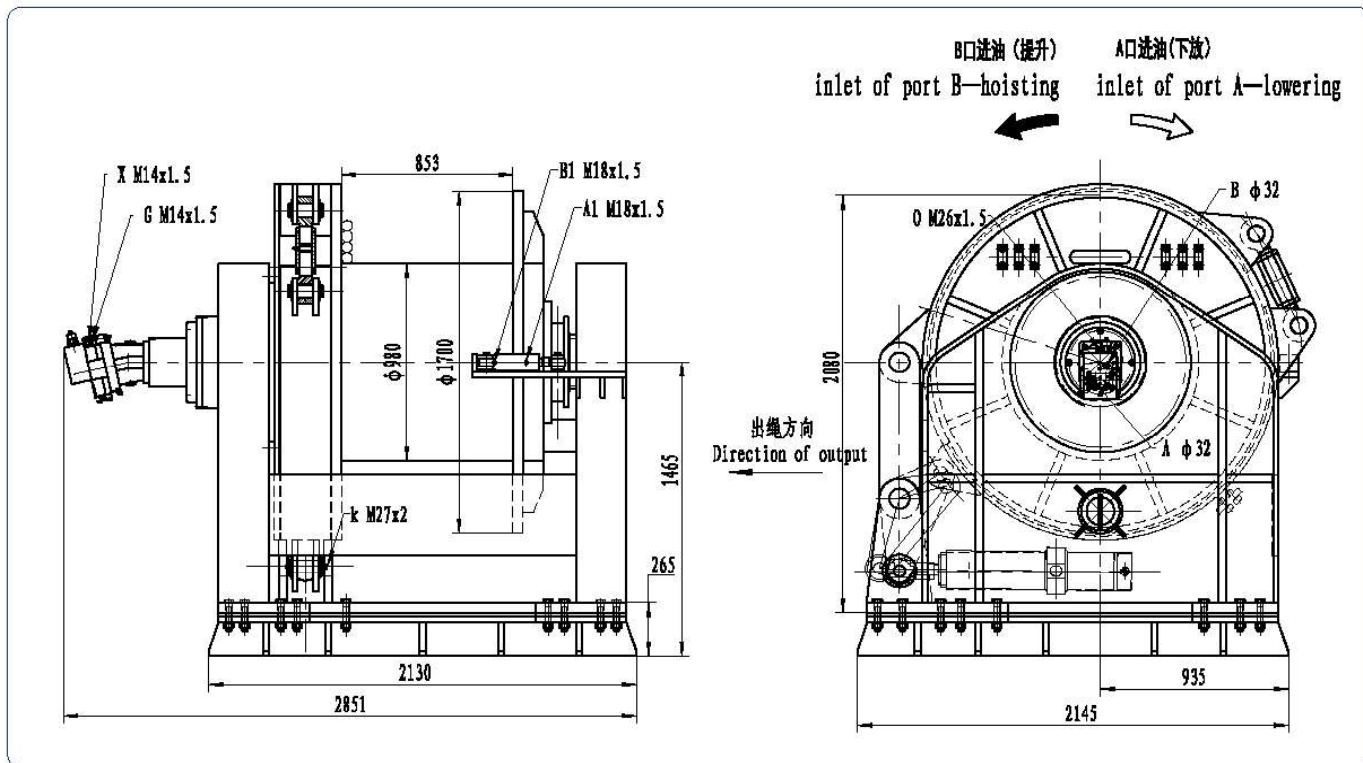
液压原理图
Hydraulic principle diagram



主要技术参数
Main Specification

第一层拉力	Rated working pull 1st layer (kN)	600
支持负载	Brake support load (kN)	900
第四层绳速	Speed fourth layer (m/min)	5
总排量	Drum displacement (mL/r)	90744.43
系统压力	System rated pressure (MPa)	22
钢丝绳直径	Diameter of rope (mm)	50 ⁺¹ ₀
层数	Number of rope layers	6
容绳量	Capability of drum (m)	1000
供油流量	Pump flow (L/min)	139 ($\eta_v=0.9$)
液压马达型号	Hydraulic motor type	INM7-3600D24011
行星减速器型号	Planetary gearbox type	TGC330W2-B25-INM7 (i=25.13)

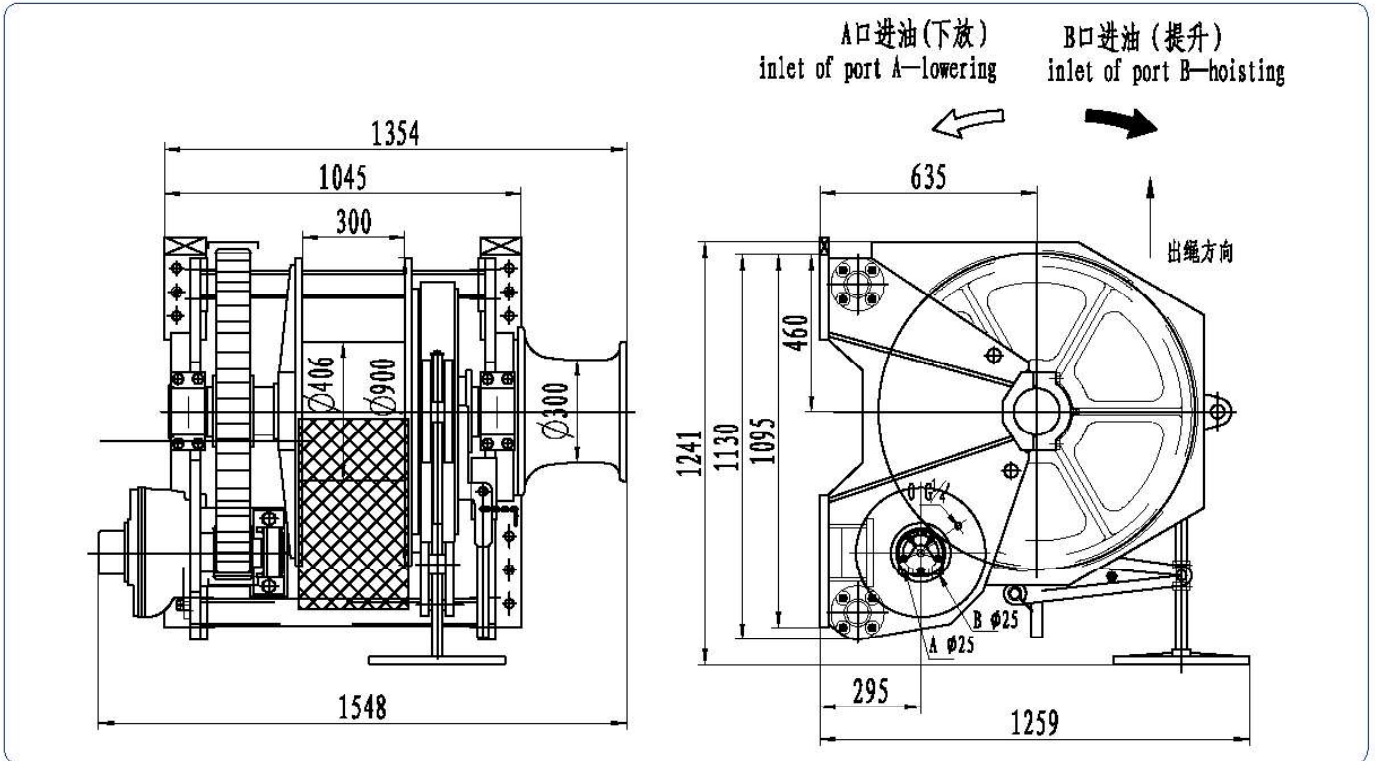
IYJ4611-750/150-240-54-C-PDLX



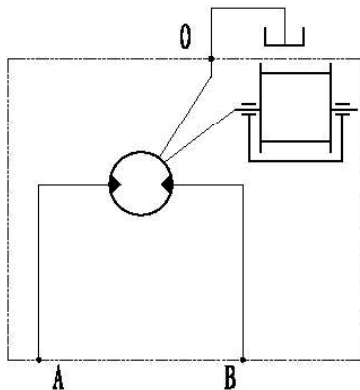
主要技术参数
Main Specification

第一层拉力 Rated working pull 1st layer (kN)	750/150
支持负载 Brake support load (kN)	1250
第一层绳速 Speed 1st layer (m/min)	5/20
总排量 Drum displacement (mL/r)	103304.35/25826
系统压力 System rated pressure (MPa)	31/26
钢丝绳直径 Diameter of rope (mm)	54
层数 Number of rope layers	4
容绳量 Capability of drum (m)	240
供油流量 Pump flow (L/min)	178 ($\eta_v=0.9$)
液压马达型号 Hydraulic motor type	A6VM160HD1D/63W0400VZB080
行星减速器型号 Planetary gearbox type	C46611 (i=645.65)

IYJK08-50-150-22-PDL



液压原理图
Hydraulic principle diagram

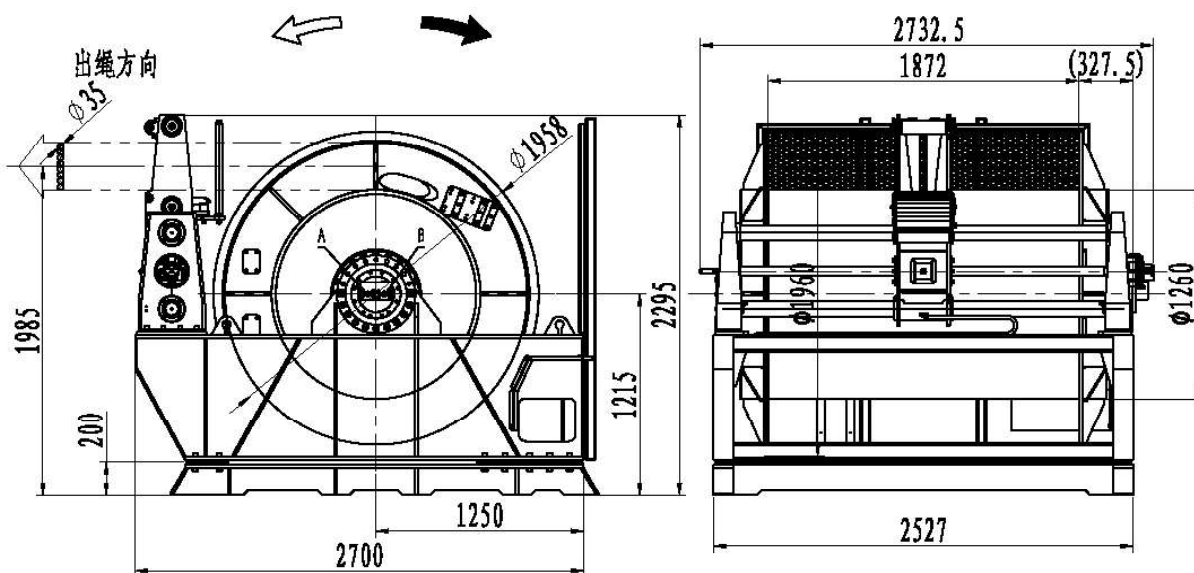


绞车主要技术参数
Winch main Specification

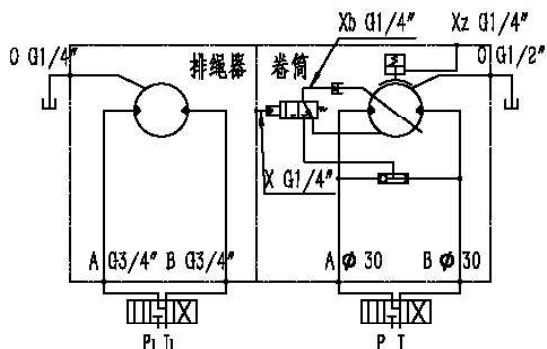
第一层拉力	Rated working pull 1st layer (kN)	50
第一层绳速	Speed 1st layer (m/min)	20
总排量	Drum displacement (ml/r)	6360.66
系统压力	System rated pressure (MPa)	15
钢丝绳直径	Diameter of rope (mm)	22
层数	Number of rope layers	7
容绳量	Capability of drum (m)	60
供油流量	Pump flow (L/min)	79 ($\eta v=0.9$)
液压马达型号	Hydraulic motor type	GM3-1000-7D47

IYJ355-50-2000-35-DP

A口进油(下放) B口进油(提升)
inlet of port A—lowering inlet of port B—hoisting



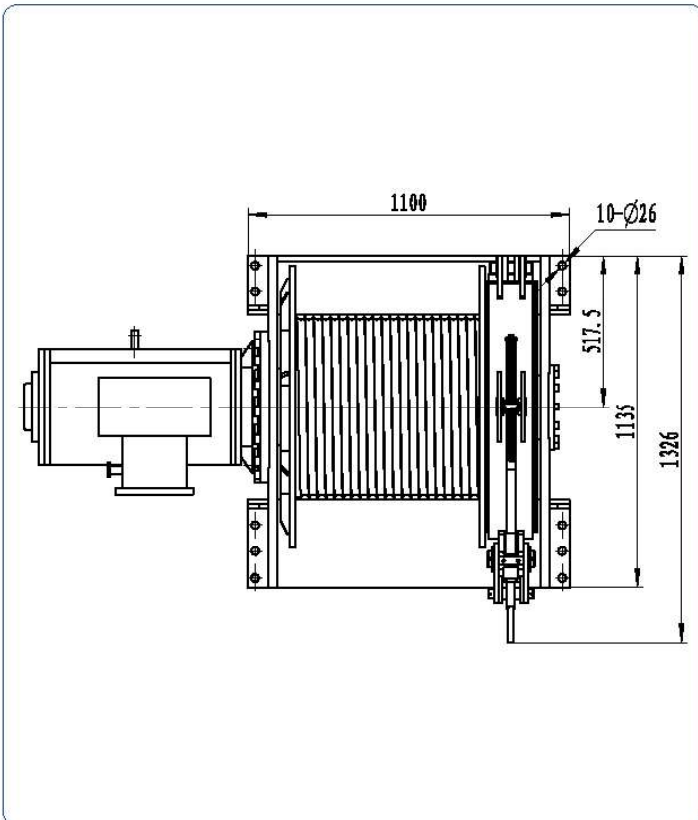
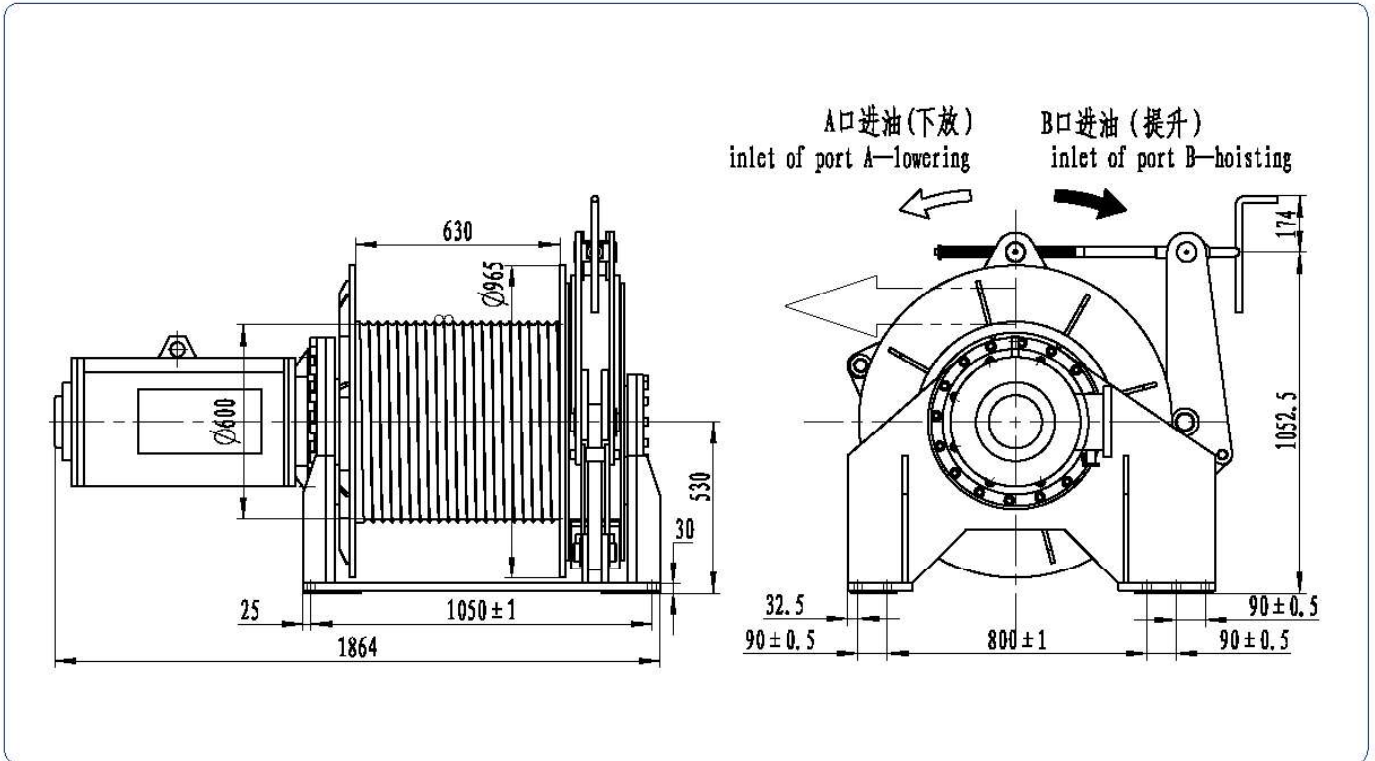
液压原理图
Hydraulic principle diagram



绞车主要技术参数
Winch main Specification

第四层拉力	Rated working pull 4st layer (kN)	50
第四层绳速	Speed 4th layer (m/min)	90
总排量	Drum displacement (ml/r)	13162
系统压力	System rated pressure (MPa)	25
钢丝绳直径	Diameter of rope (mm)	35
层数	Number of rope layers	8
容绳量	Capability of drum (m)	2000
供油流量	Pump flow (L/min)	278 ($\eta v=0.9$)
液压马达型号	Hydraulic motor type	IGT80T3-B76.7-1M171.6/111

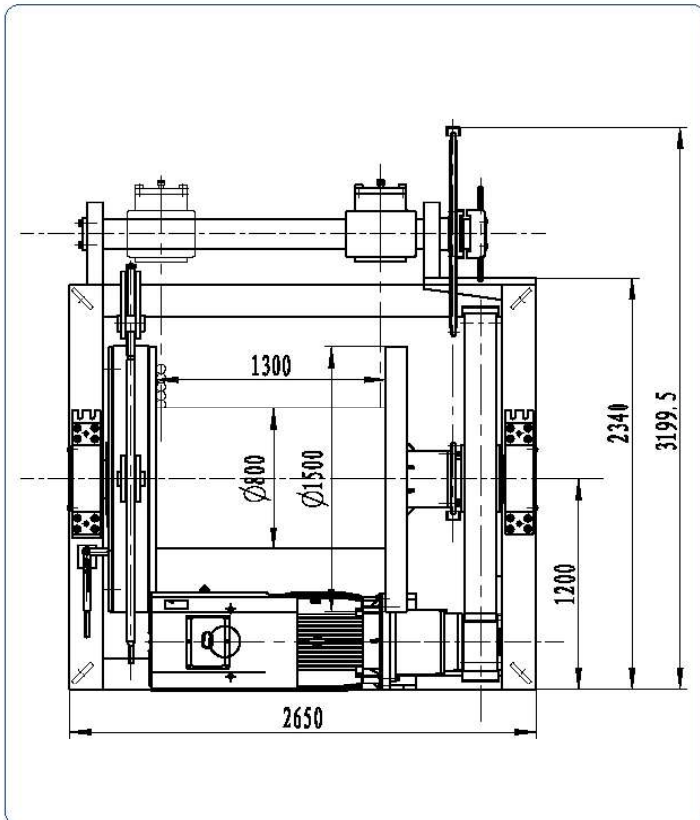
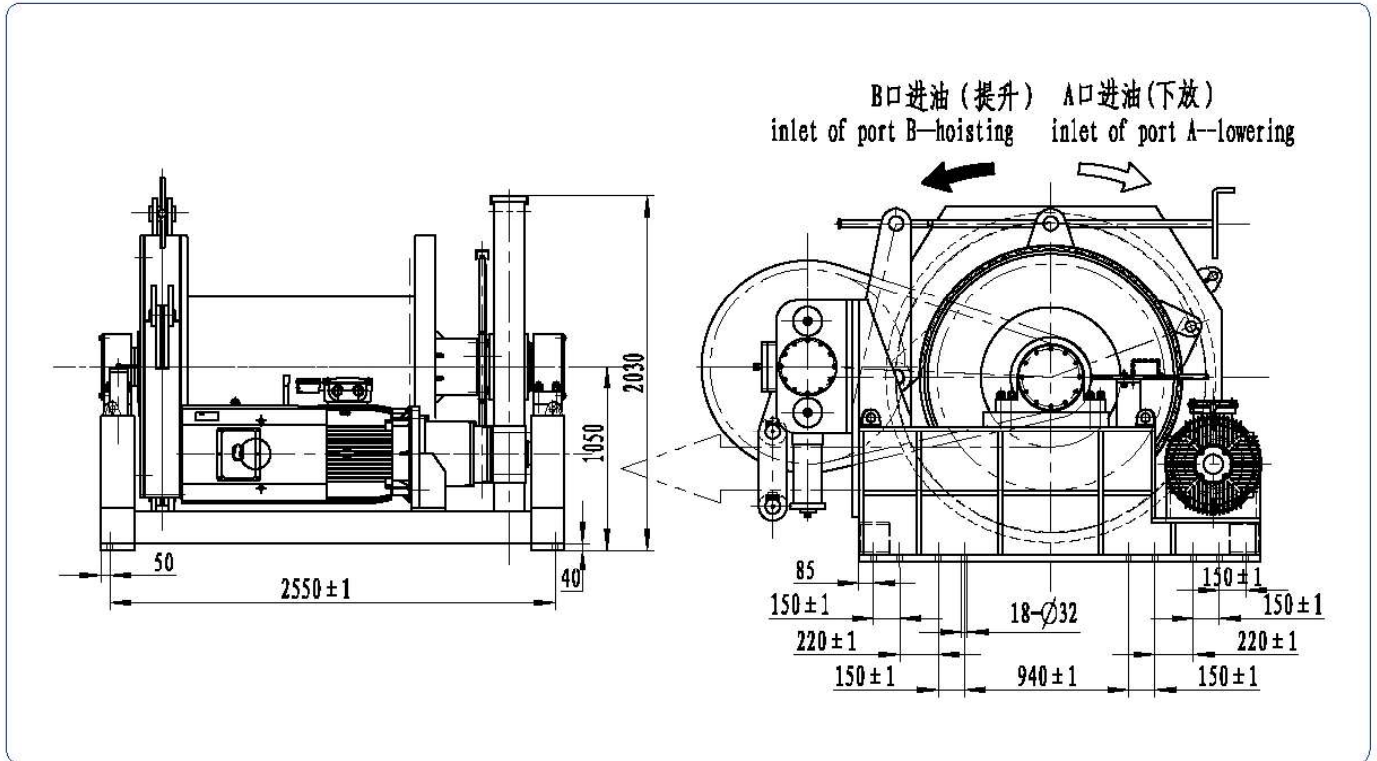
IDJ344-50-200-28-D



主要技术参数
Main Specification

第4层拉力	Rated working pull 4th layer (kN)	50
支持负载	Brake support load (kN)	210
第一层绳速	Speed 1st layer (m/min)	12/5.7/2.75
钢丝绳直径	Diameter of rope (mm)	28
层数	Number of rope layers	4
容绳量	Capability of drum (m)	200
电机型号	Motor model	YZ2-H42-4/8/16
电机功率	Rated power of the Motor (kW)	11/11/7.5

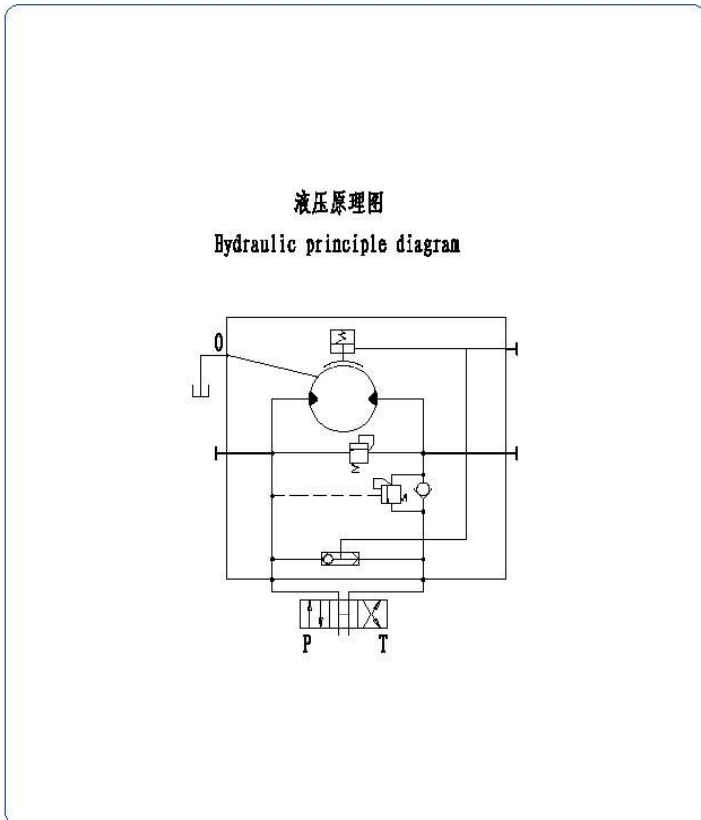
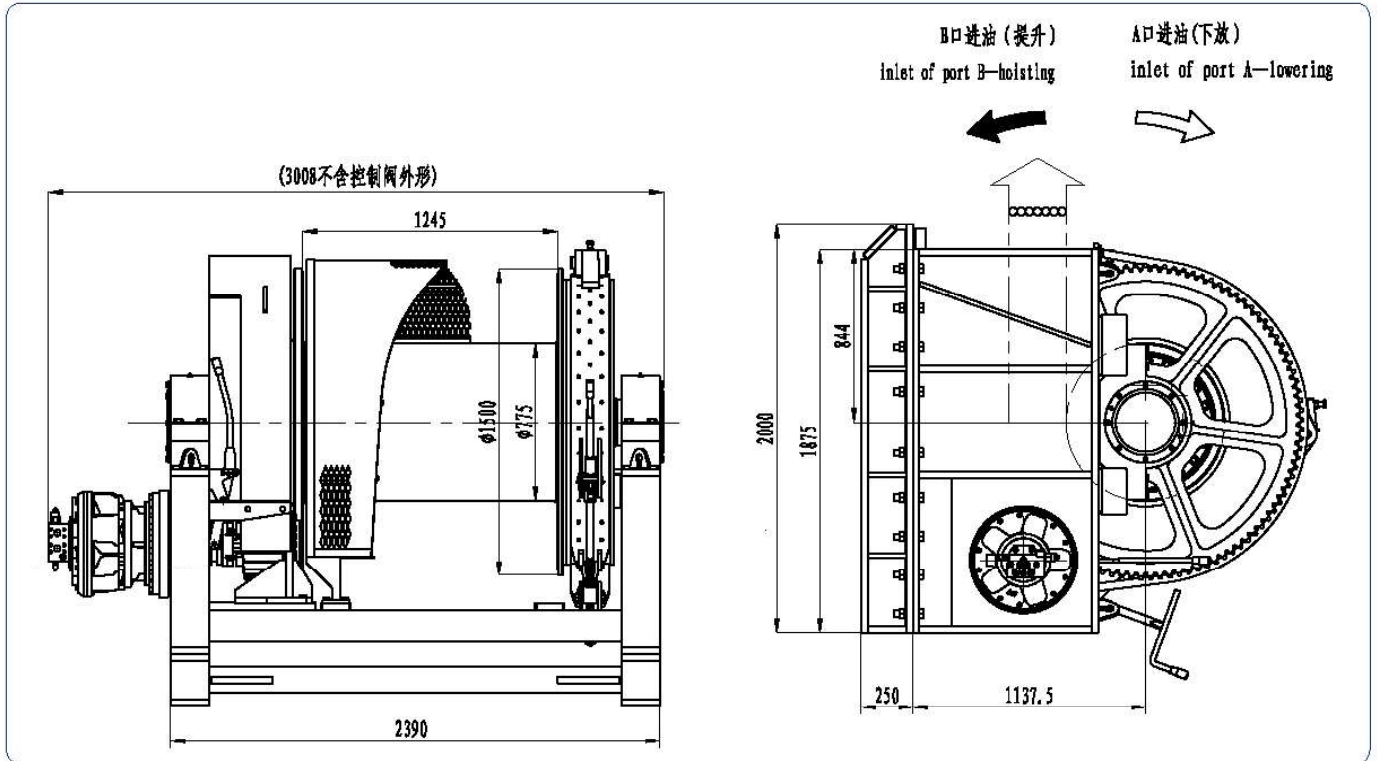
IDJK3514-150-400-50-LDB



主要技术参数
Main Specification

第五层拉力	Rated working pull 5th layer (kN)	150/75
支持负载	Brake support load (kN)	770
第一层绳速	Speed 1st layer (m/min)	4/8
钢丝绳直径	Diameter of rope (mm)	50
层数	Number of rope layers	5
容绳量	Capability of drum (m)	400
电机型号	Motor model	W21-250S/M-37KW-6P-B5T
电机功率	Rated power of the Motor (kW)	37

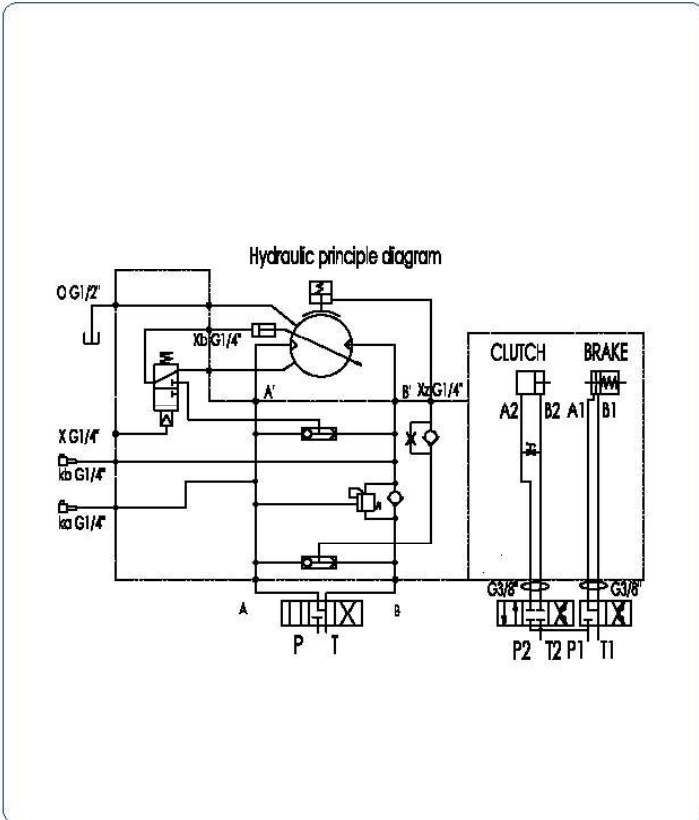
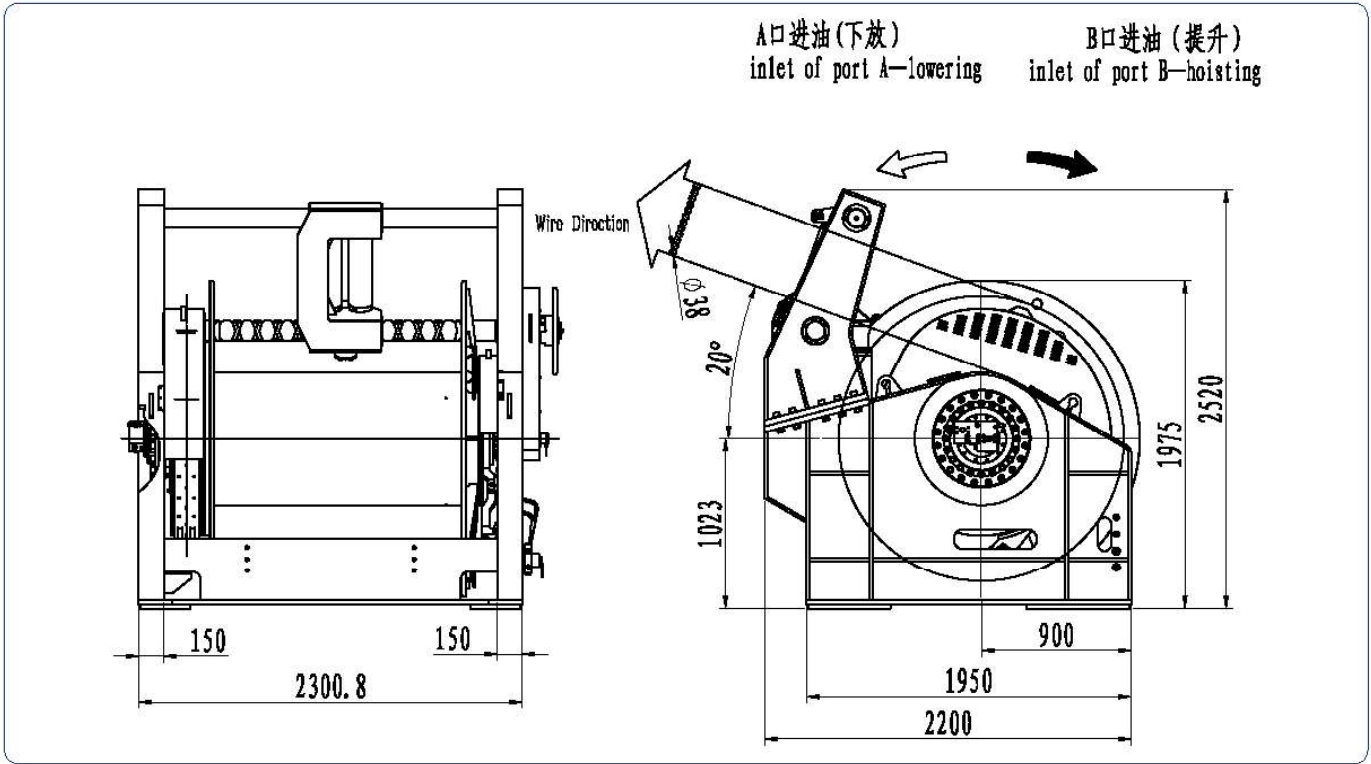
IYJK12



绞车主要技术参数
Winch main Specification

第四层拉力 Rated working pull 4ur layer (kN)	150
第一层绳速 Speed 2nd layer (m/min)	12
总排量 Drum displacement (mL/r)	6138
系统压力 System rated pressure (MPa)	17
钢丝绳直径 Diameter of rope (mm)	32
层数 Number of rope layers	8
容绳量 Capability of drum (m)	500
供油流量 Pump flow (L/min)	191 ($\eta = 0.9$)
液压马达型号 Hydraulic motor type	INM4-1100D480111

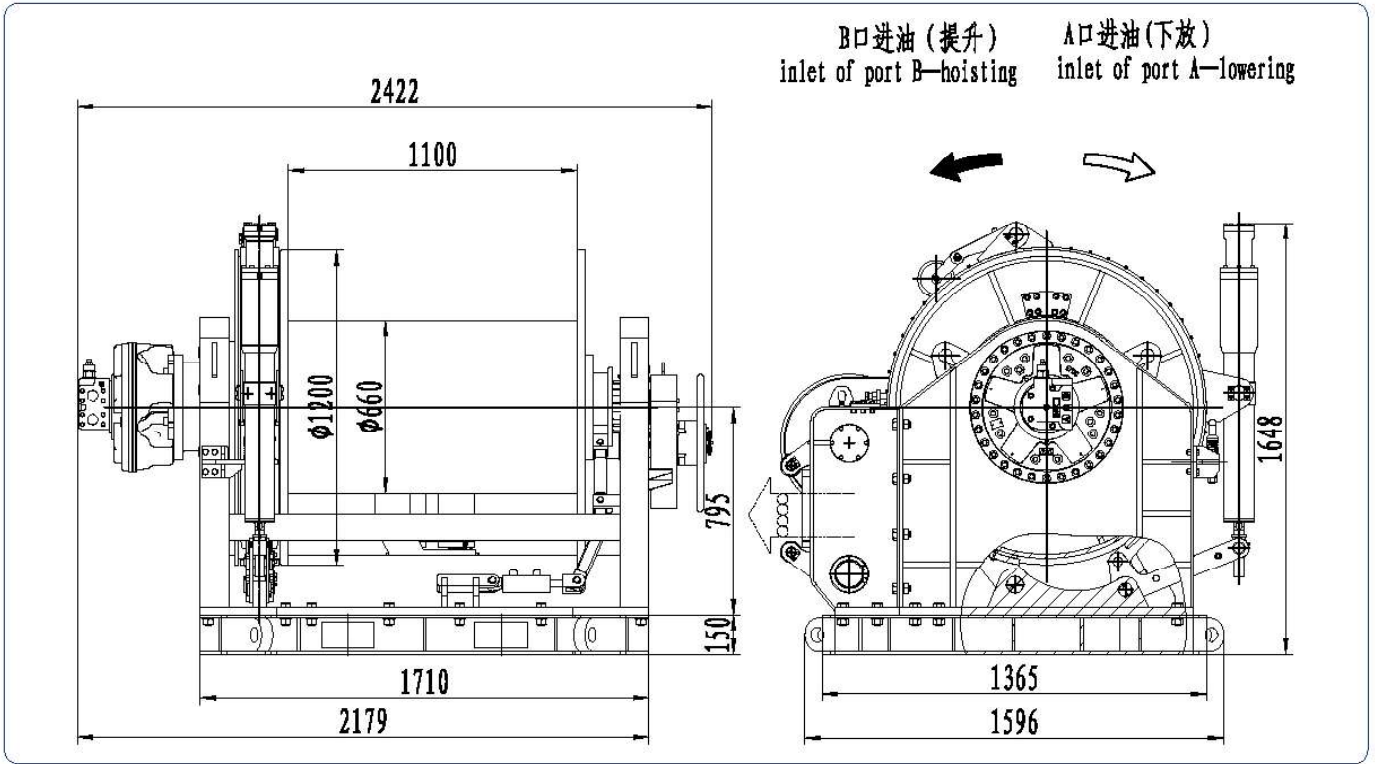
IYJ34.54.5-160-1800-38-LPZGV



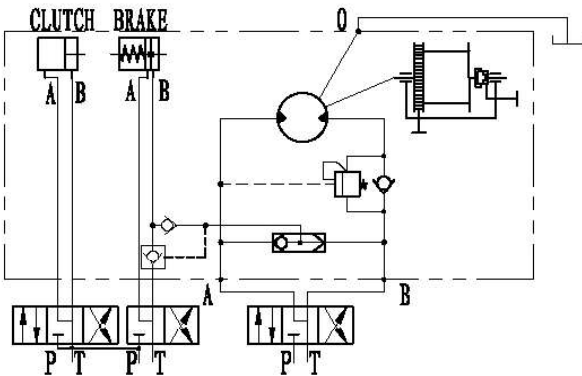
绞车主要技术参数
Winch main Specification

第一层拉力	Rated working pull 1st layer (kN)	160
第一层绳速	Speed 1st layer (m/min)	12
总排量	Drum displacement (ml/r)	25723
系统压力	System rated pressure (MPa)	25
钢丝绳直径	Diameter of rope (mm)	38
层数	Number of rope layers	12
容绳量	Capability of drum (m)	1800
供油流量	Pump flow (L/min)	130 ($\eta v=0.9$)
液压马达型号	Hydraulic motor type	IGT80T3-B149.9-IM17L.6/111

IYJ56-200-268-41-PDL



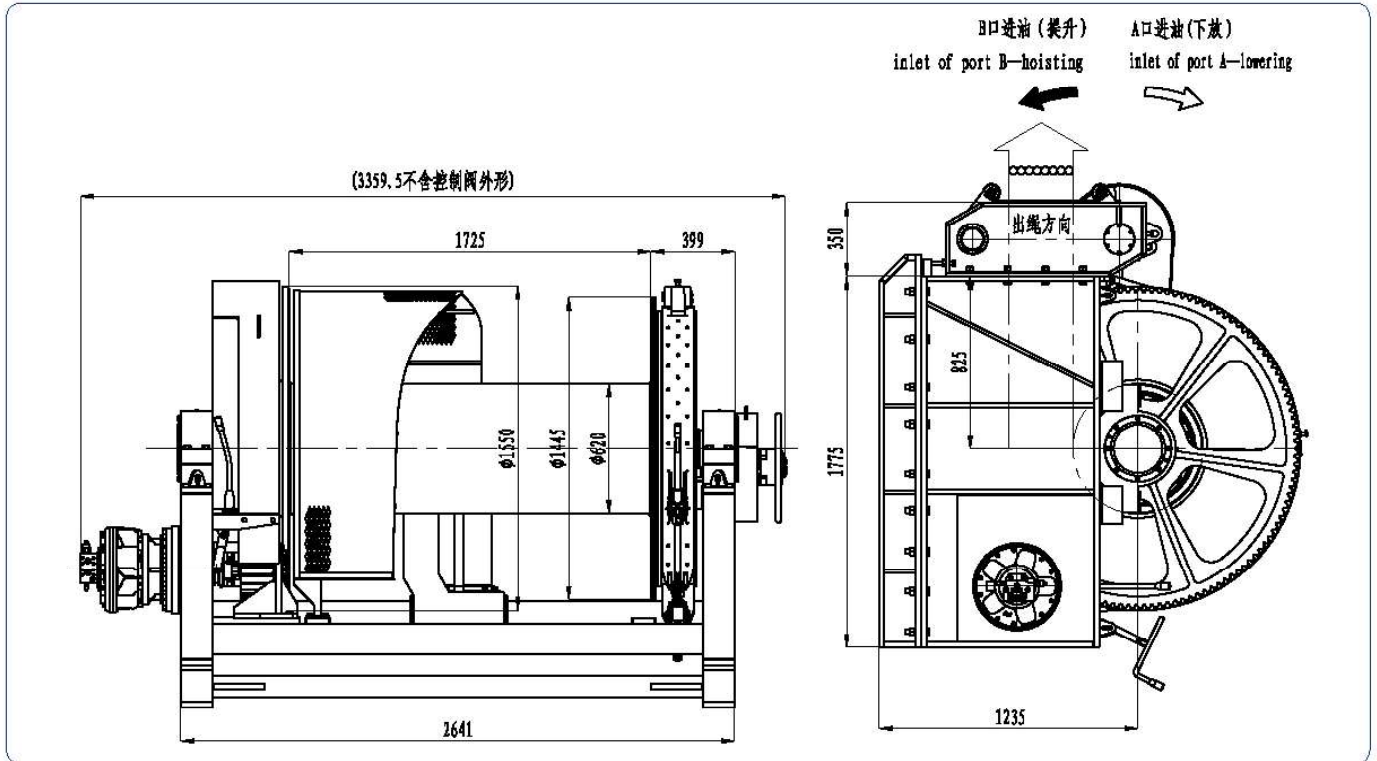
液压原理图
Hydraulic principle diagram



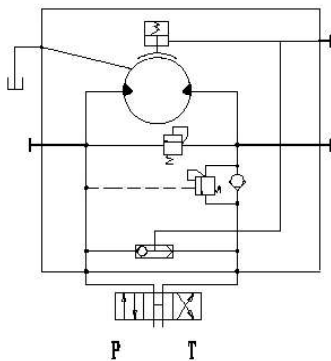
绞车主要技术参数
Winch main Specification

第一层拉力	Rated working pull 1st layer (kN)	200
第一层绳速	Speed 1st layer (m/min)	12
总排量	Drum displacement (mL/r)	40936
系统压力	System rated pressure (MPa)	15.5
钢丝绳直径	Diameter of rope (mm)	41
层数	Number of rope layers	4
容绳量	Capability of drum (m)	268
供油流量	Pump flow (L/min)	248 ($\eta v=0.9$)
液压马达型号	Hydraulic motor type	INMS-1450D480101

IYJK12



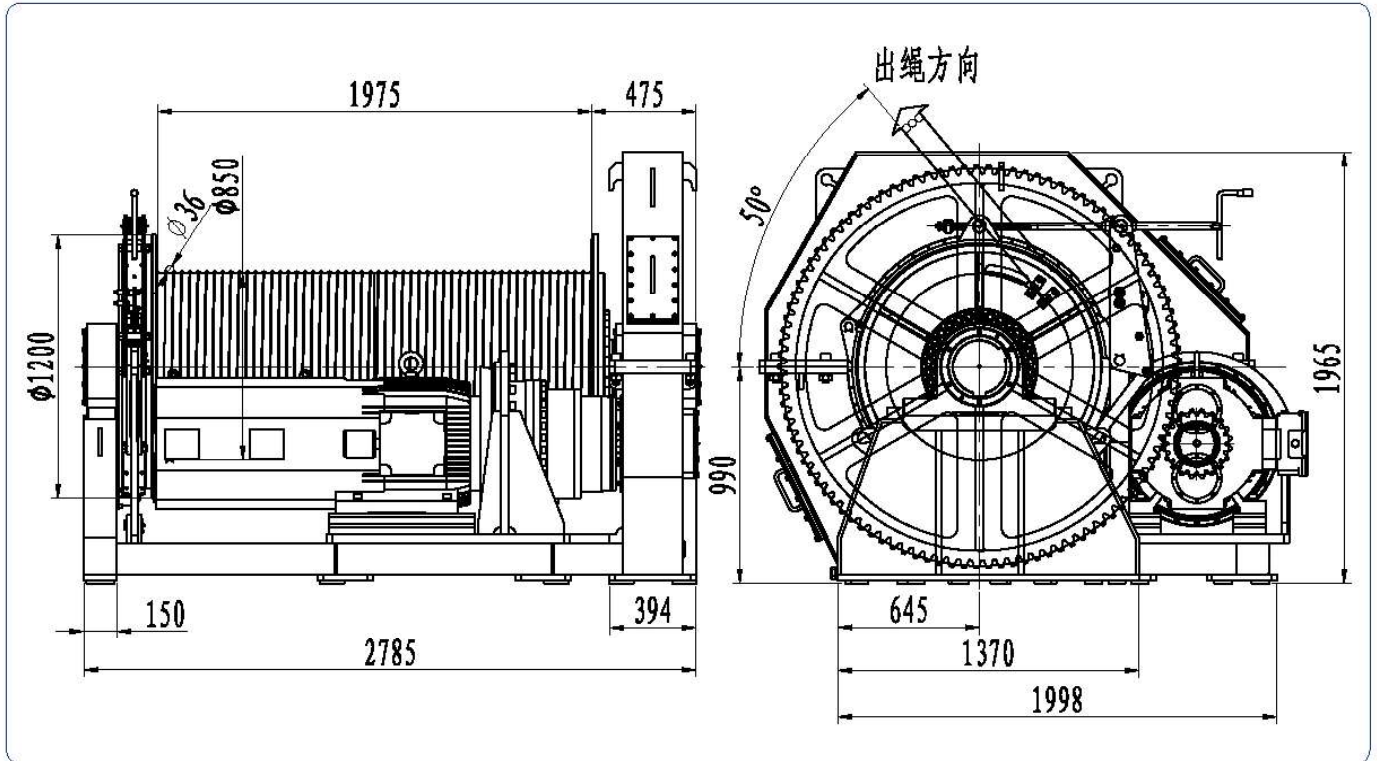
液压原理图
Hydraulic principle diagram



绞车主要技术参数
Winch main Specification

第四层拉力 Rated working pull 4ur layer (kN)	200
第二层绳速 Speed 2nd layer (m/min)	12
总排量 Drum displacement (mL/r)	6138
系统压力 System rated pressure (MPa)	20
钢丝绳直径 Diameter of rope (mm)	38
层数 Number of rope layers	8
容绳量 Capability of drum (m)	1000
供油流量 Pump flow (L/min)	237 ($\eta = 0.9$)
液压马达型号 Hydraulic motor type	INM4-1100D480111P

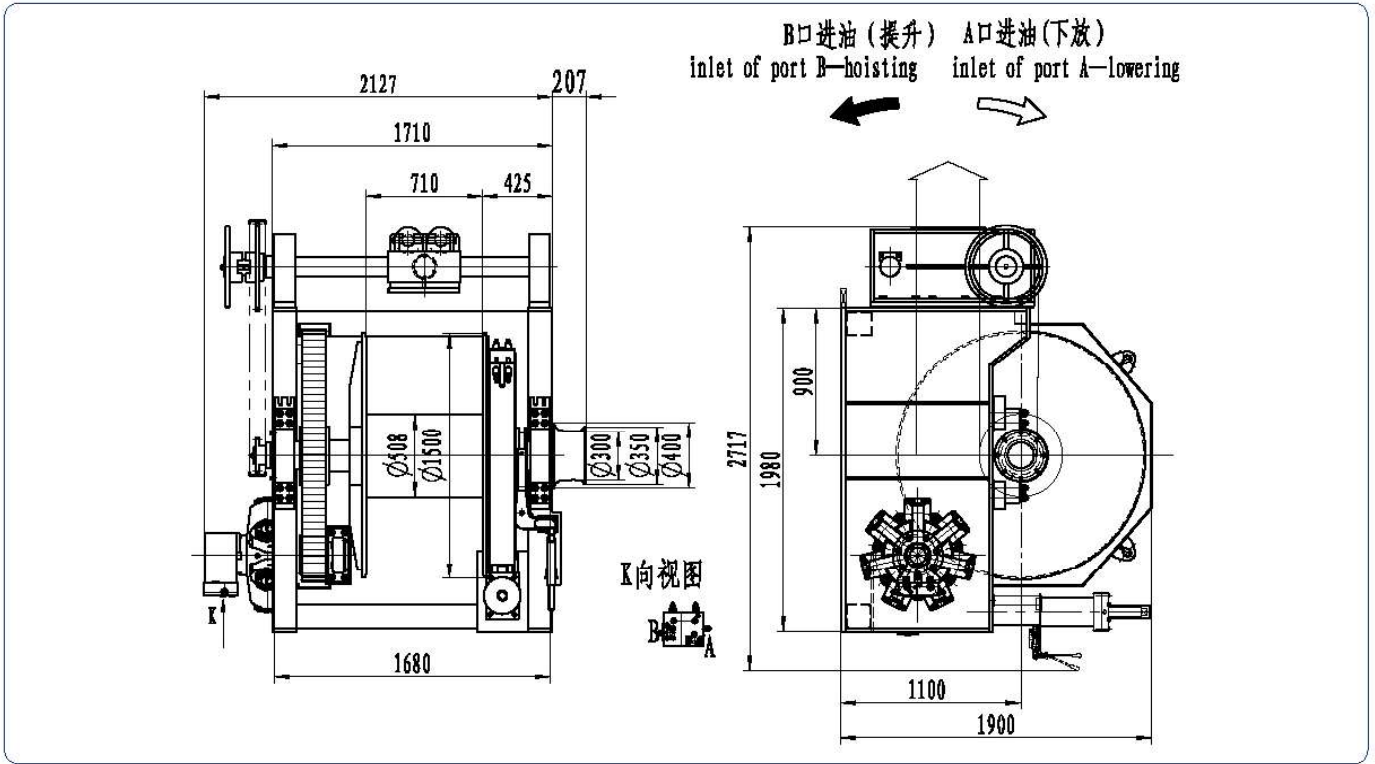
IDJ5614-250-400-36-D



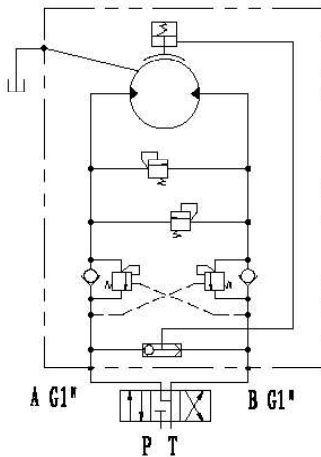
绞车主要技术参数
Winch main Specification

Rope layer	钢丝绳层数	3
Line pull	钢丝绳拉力 (kN)	250 (2nd layer)
Rope speed	绳速 (m/min)	15
Rope capacity	容绳量 (m)	300
Rope size	钢绳规格 (mm)	36
Gearbox model	减速箱型号	C56 (i=28)
System ratio	传动比	141.4
Motor type	电机型号	W21-315S/M-110kW-6P-B35L (D)
Motor Power	电机功率 (kW)	110
Motor R.P.M	电机转速 (r/min)	985
Voltage and Frequency	电制	380、50Hz
Motor Insulation	绝缘等级	F
Motor Protection	防护等级	IP56

IYJK12-300-800-30-PDL



液压原理图
Hydraulic principle diagram



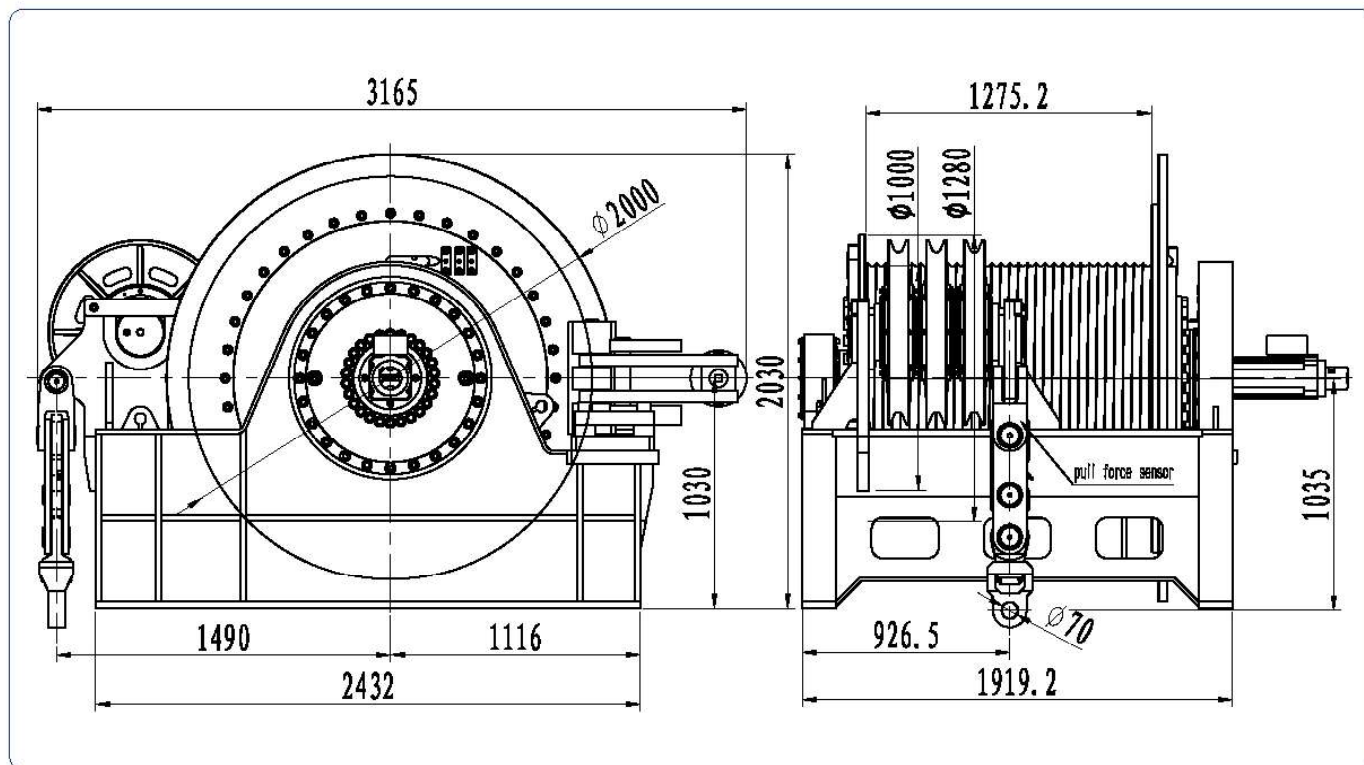
绞盘主要技术参数
Capstan main Specification

工作拉力 Working pull (kN)	30
工作绳速 Working speed (m/min)	0-20

绞车主要技术参数
Winch main Specification

第一层拉力 Rated working pull 1st layer (kN)	300
第一层绳速 Speed 1st layer (m/min)	6
支撑负载 Drum Brake Holding (kN)	450 AT 1st Layer, Static
总排量 Drum displacement (mL/r)	33367.5
系统压力 System rated pressure (MPa)	25
钢丝绳直径 Diameter of rope (mm)	30
层数 Number of rope layers	14
容量 Capability of drum (m)	800
供油流量 Pump flow (L/min)	131.6 ($\eta_v=0.9$)
液压马达型号 Hydraulic motor type	IMB325-5000-S1

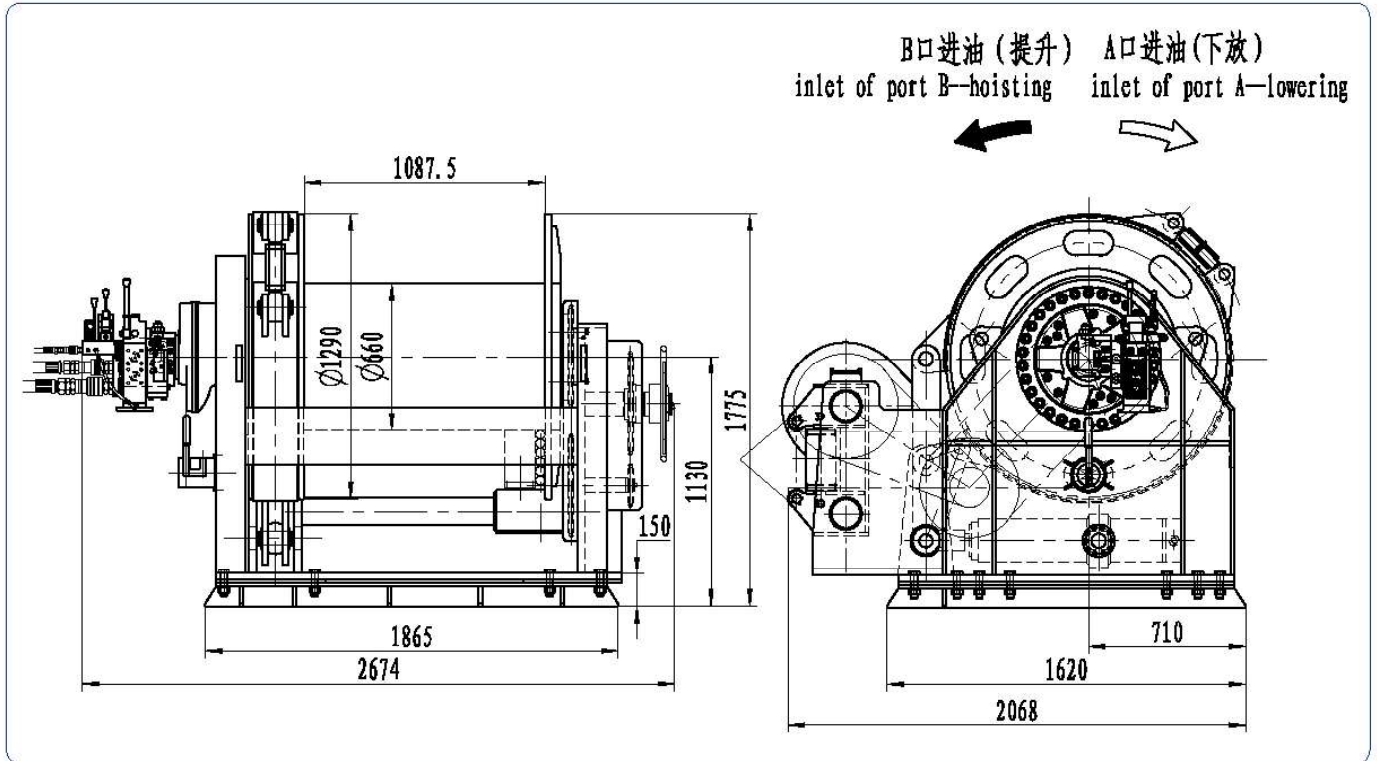
IDJ4888-325-100-38-Z



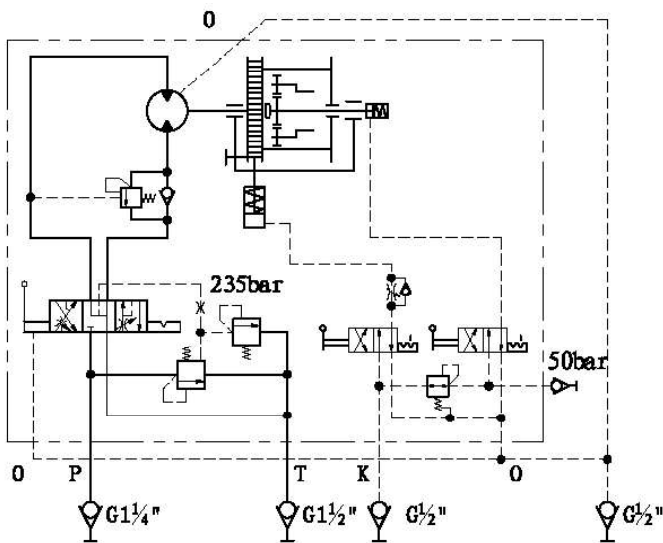
绞车主要技术参数
Winch main Specification

Rope layer	钢丝绳层数	1
Line pull	钢丝绳拉力(kN)	325 (1st layer)
Rope speed	绳速(m/min)	1.6
Rope capacity	容绳量(m)	100
Rope size	钢绳规格(mm)	38
Gearbox model	减速箱型号	IGT220W4-3669-CFM112H (i=3669)
System ratio	传动比	3669
Motor type	电机型号	SEW CFM112H/BR/TF/AK1H/KK6 (68Nm)
Motor Power	电机功率(kW)	11
Motor R.P.M	电机转速(r/min)	2000
Voltage and Frequency	电制	380、50Hz
Motor Insulation	绝缘等级	F
Motor Protection	防护等级	IP56

IYJ6.56.5-450-400-42-PDLBX



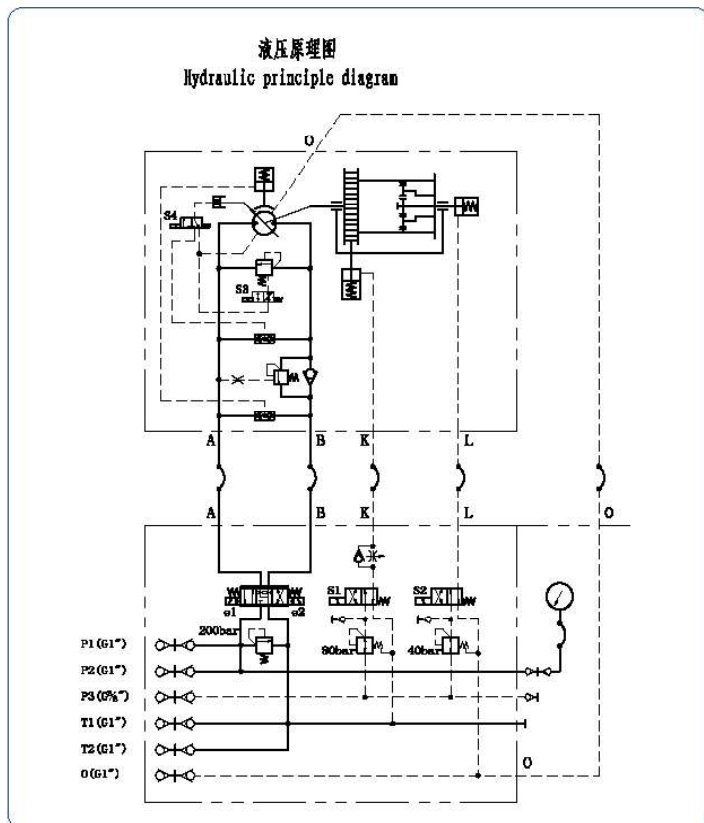
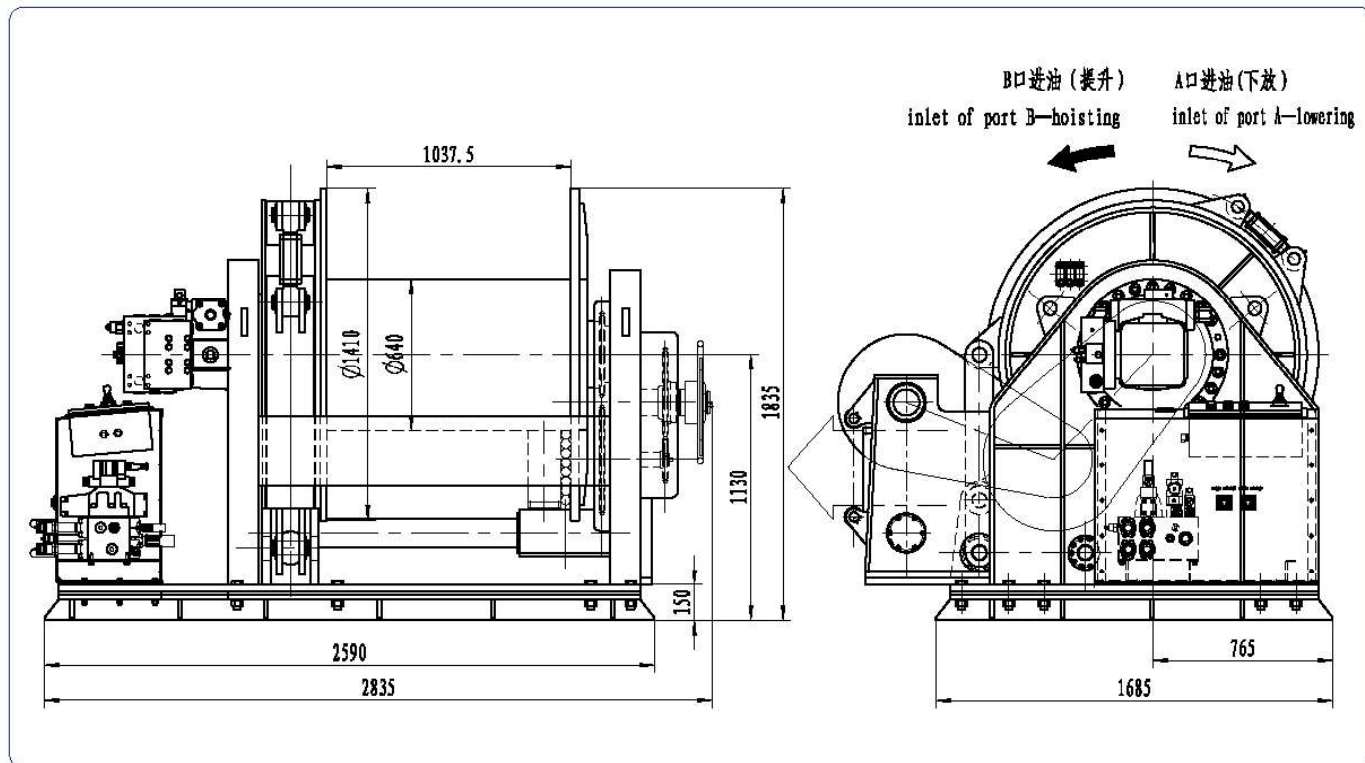
液压原理图
Hydraulic principle diagram



主要技术性能参数
Main Specification

第一层额定拉力 Rated working pull on first layer(t)	45
第一层绳速 Nominal speed at first layer(m/min)	8.5
卷筒排量 Drum displacement (L/r)	56.056
支持负载 Support load(t)	120
系统额定压力 System rated pressure (Bar)	223
钢丝绳直径 Diameter of rope (mm)	42 ^{+0.8} ₀
层数 Number of rope layers	6
容绳量 Capability of drum (m)	400
泵供油流量 Pump flow (L/min)	235 (ηv=0.9)
液压马达型号 Hydraulic motor type	IGC180W2-B28-IM5 (i=27.93)
减速器型号 Planetary gearbox type	INM5-2000D4801

IYJ477



主要技术性能参数
Main Specification

第一层额定拉力 Rated working pull on first layer(t)	50	35
第一层绳速 Nomical speed at first layer(m/min)	5.3	7
卷筒排量 Drum displacement (L/r)	62.75	47.188
支持负载 Support load(t)	100	
系统额定压力 System rated pressure(Bar)	235	
钢丝绳直径 Diameter of rope(mm)	40 ^{1,8}	
层数 Number of rope layers	8	
容量 Capability of drum(m)	600	
泵供油流量 Pump flow(L/min)	173(ηv=0.9)	
液压马达型号Hydraulic motor type	HL-A4YSM250DZ/30W-VZB10N00-YN	
减速器型号Planetary gearbox type	IGC180W3-R251-A4YSM250(i=251)	

● I*JP 系列船用绞盘

1. 概述

I*JP 系列绞盘采用了本公司专利技术，由带平衡阀及控制制动器的高压梭阀组成的各种集成阀块、高低速液压马达（或各类电机）、Z 型制动器、行星减速机、绞盘头及机架等部件组成，用户只需配备泵站和换向阀即可。由于绞盘自带阀组，它不但简化了液压系统而且提高了传动装置的工作可靠性。除此，它还具有起动和工作时效率高、功率大、能耗少、噪音低、外形美观、尺寸紧凑、经济性好等特点，该产品可广泛用于各种船舶甲板机械等设备中，产品不但已畅销全国，并出口到东南亚、澳大利亚、荷兰等国家和地区。

2. 型号说明



3. 型号举例

IYJP3-20 表示行星减速器一级齿轮模数为3，系统负载拉力为20KN 的液压船用绞盘。

4. 参数说明

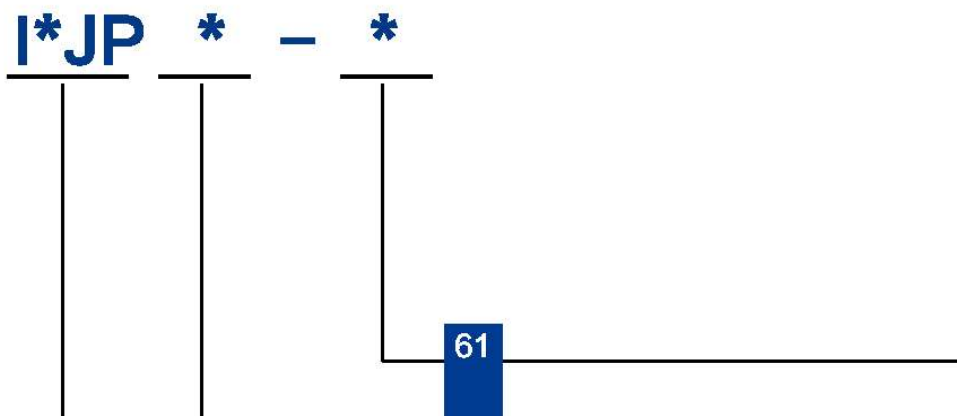
- a. 总排量是指绞盘每转所需供给的理论供油量(ml/r)。
- b. 供油流量是指泵的理论供油流量。
- c. 工作压差为绞车工作时液压马达进出油口的压力差(MPa)。

● I*JP Series Winch for Marine

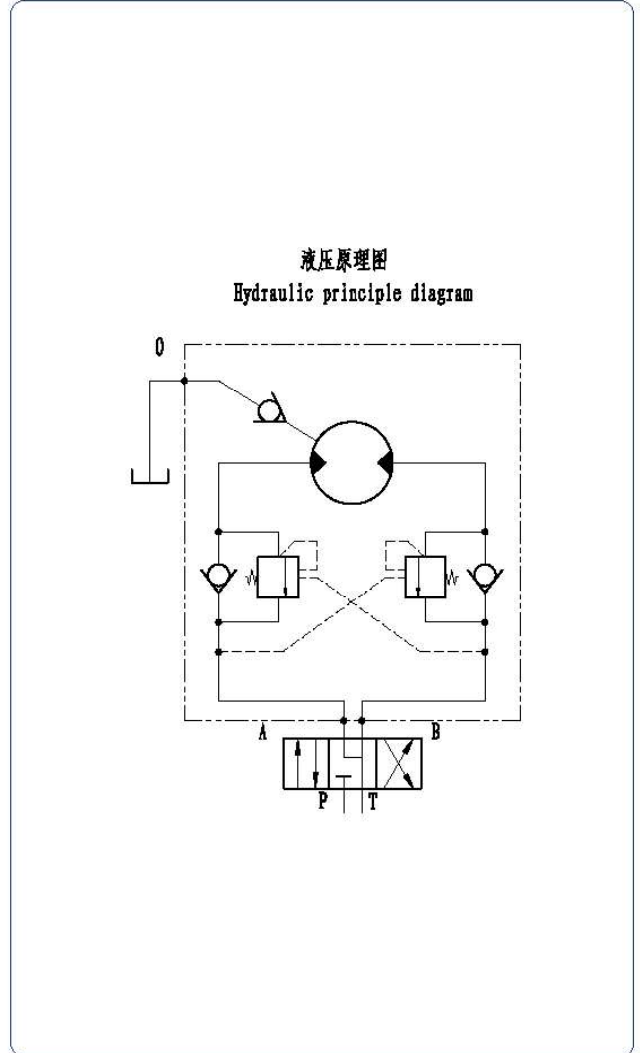
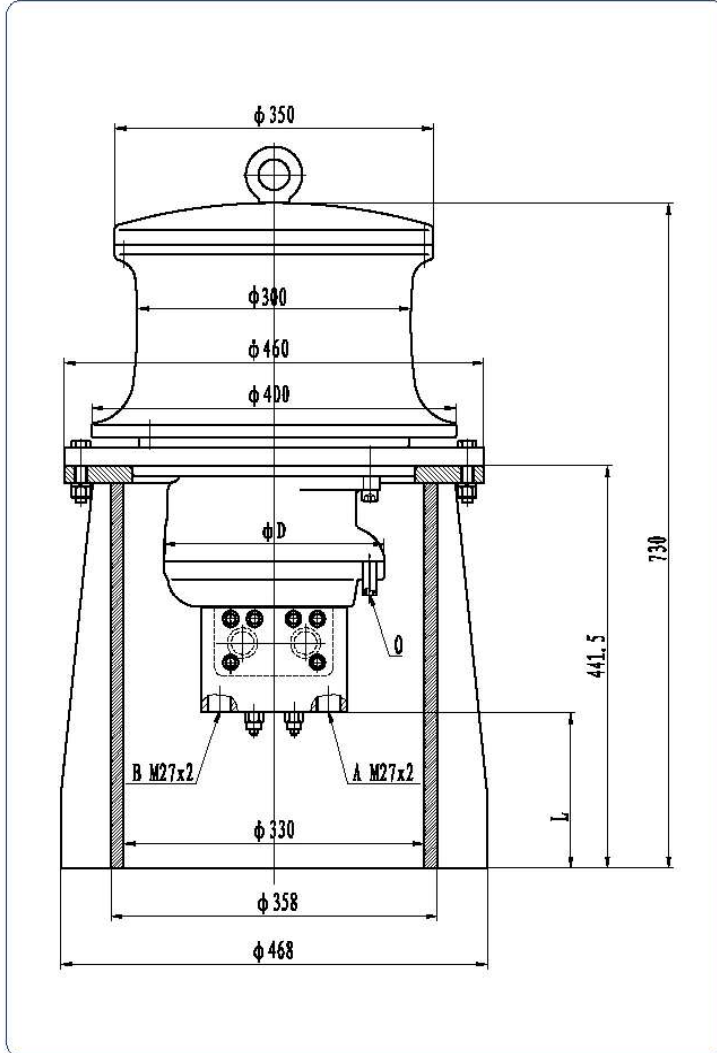
1. Brief Introduction

I*JP Series Winch for Marine are patent products of our company. They feature high torque, overload protection, hydraulic motor (electromotor with bracket) and so on. Due to fit with valve block, not only simplified structure, but also improved reliability of drives. In addition, the series feature high startup torque, compact figure, good economy. Therefore the series have been widely used. They not only have been popular in domestic market, but also have been exported to many countries so on.

2. Model Options



IYJP3

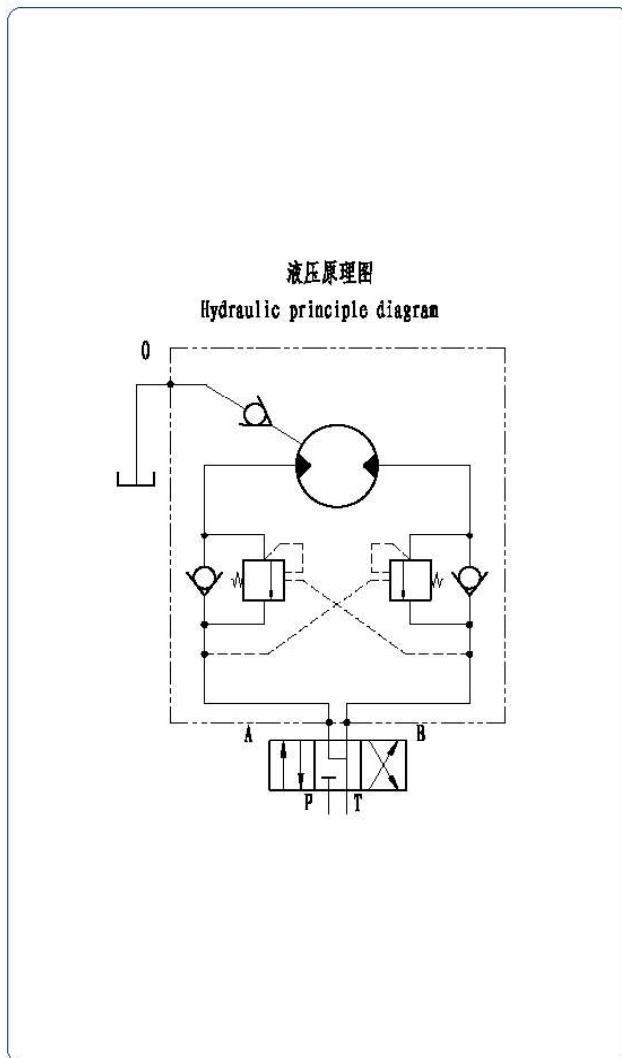
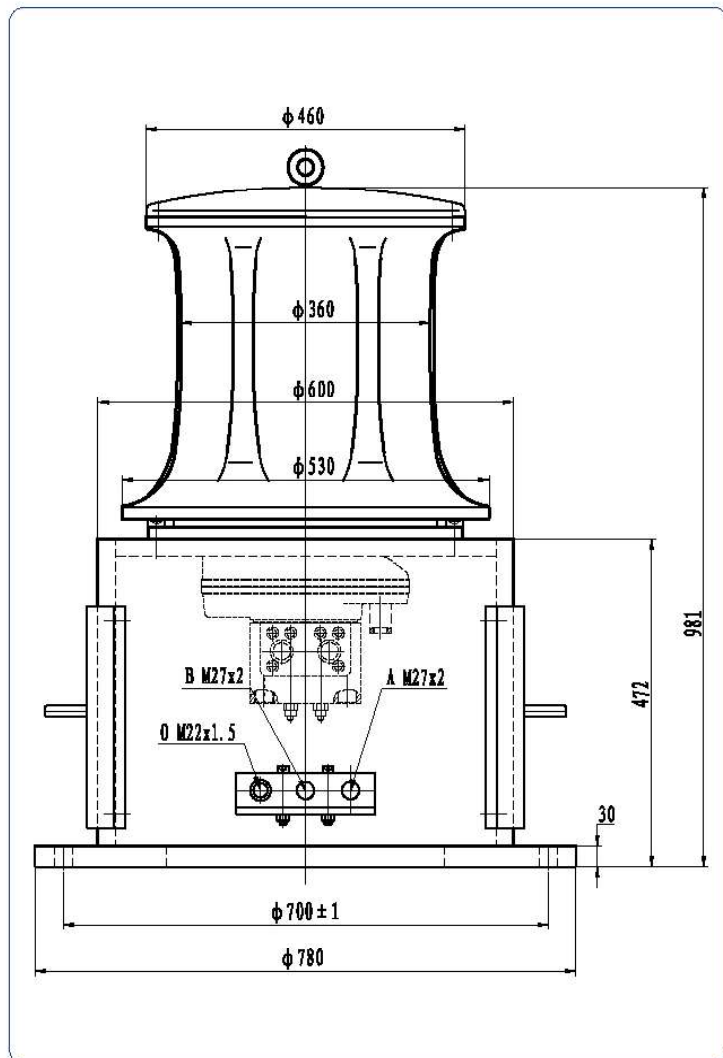


型号 Model	系统负载 System load (kN)	公称速度 Nominal speed (m/min)	钢丝绳直径 Diameter of rope (mm)	工作压差 Working pressure differential (MPa)	总排量 Displacement (ml/r)	供油流量 Oil supply (L/min)	液压马达型号 Hydraulic motor model	齿轮箱型号 Planetary gearbox model	D	L	O
IYJP3-10	10	25	13	14	860	25	INM1-175D47+F1202	C3AC(I=5)	242	170.6	G1/4"
IYJP3-20	20	20	15	12	2125	48	INM2-420D47+F1202	C3AC(I=5)	304	144.6	G1/2"
IYJP3-30	30	20	17	13	2825	63	INM2-550D47+F1202	C3AC(I=5)	304	144.6	G1/2"

注：当3位4通换向阀需要“0”或“M”机能时马达与双向平衡阀之间必须设置双向缓冲过载荷阀。

Note: When the neutral position function of 3/4 directional valve is "0" or "M" type, crossover relief valve should be setted between hydraulic motor and bi-counterbalance valve.

IYJP4

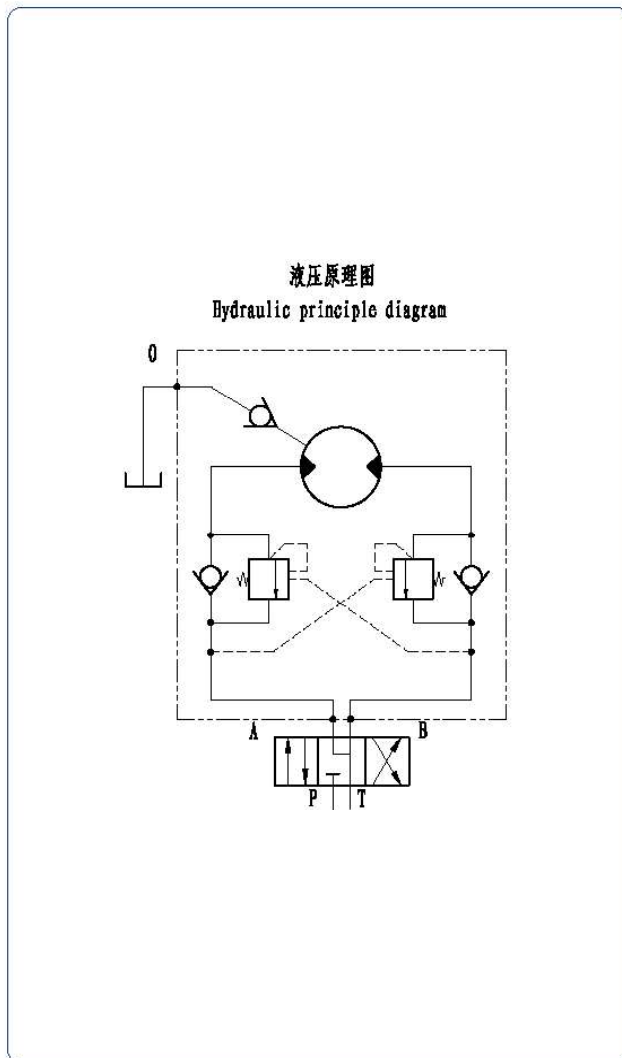
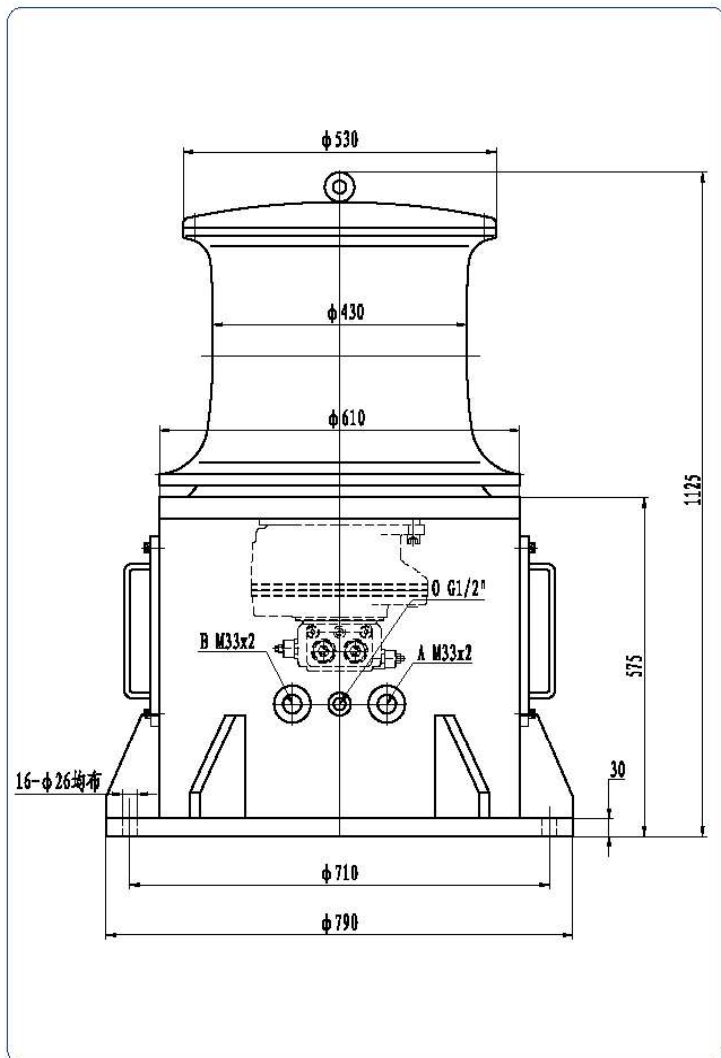


型号 Model	系统负载 System load (KN)	公称速度 Nominal speed (m/min)	钢丝绳直径 Diameter of rope (mm)	工作压差 Working pressure differential (MPa)	总排量 Displacement (ml/r)	供油流量 Oil supply (L/min)	液压马达型号 Hydraulic motor model	齿轮箱型号 Planetary gearbox model
IYJP4-40	40	15	20	14.5	3955	56	INM2-600D47+P1202	C4C(I=7)
IYJP4-50	50	15	20	16	4361	60	INM2-630D47+P1202	C4C(I=7)
IYJP4-60	60	15	22	19.5	4361	60	INM2-630D47+P1202	C4C(I=7)

注：当3位4通换向阀需要“0”或“M”机能时马达与双向平衡阀之间必须设置双向缓冲过载阀。

Note: When the neutral position function of 3/4 directional valve is "0" or "M" type, crossover relief valve should be setted between hydraulic motor and bi-counterbalance valve.

IYJP34

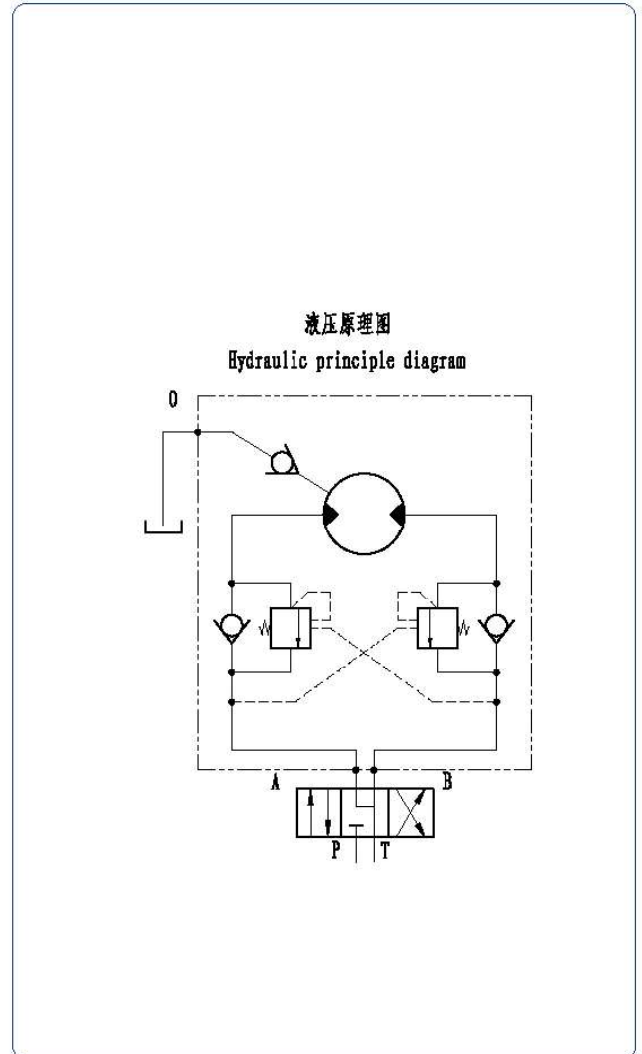
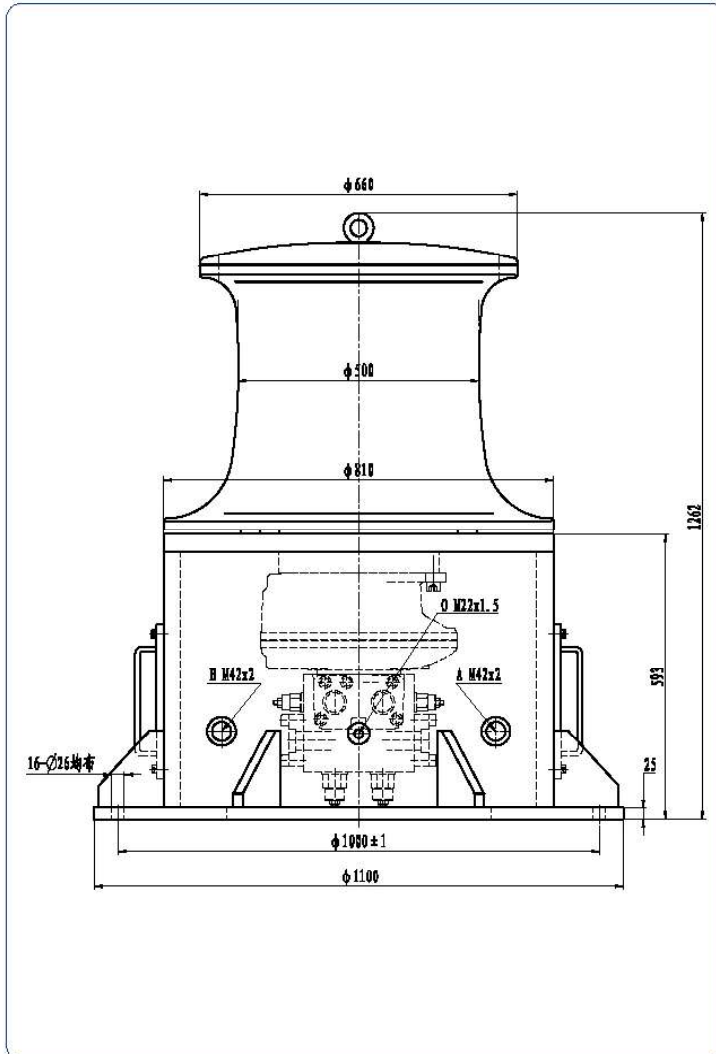


型号 Model	系统负载 System load (KN)	公称速度 Nominal speed (m/min)	钢丝绳直径 Diameter of rope (mm)	工作压差 Working pressure differential (MPa)	总排量 Displacement (ml/r)	供油流量 Oil supply (L/min)	液压马达型号 Hydraulic motor model	齿轮箱型号 Planetary gearbox model
IYJP34-80	80	12	24	12	11900	111	INM2-420D240221	C34C(I=28)
IYJP34-90	90	12	26	13.5	11900	111	INM2-420D240221	C34C(I=28)
IYJP34-100	100	12	28	15	11900	111	INM2-420D240221	C34C(I=28)

注：当3位4通换向阀需要“0”或“M”机能时马达与双向平衡阀之间必须设置双向缓冲过载阀。

Note: When the neutral position function of 3/4 directional valve is "0" or "M" type, crossover relief valve should be setted between hydraulic motor and bi-counterbalance valve.

IYJP45

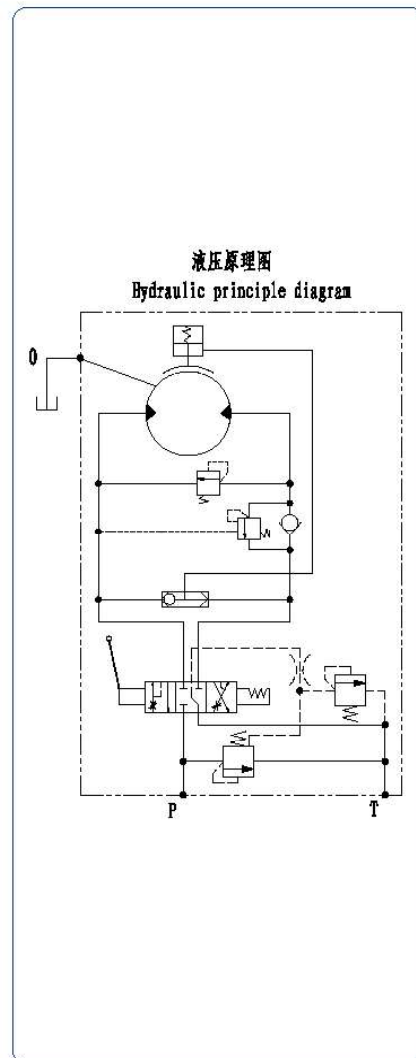
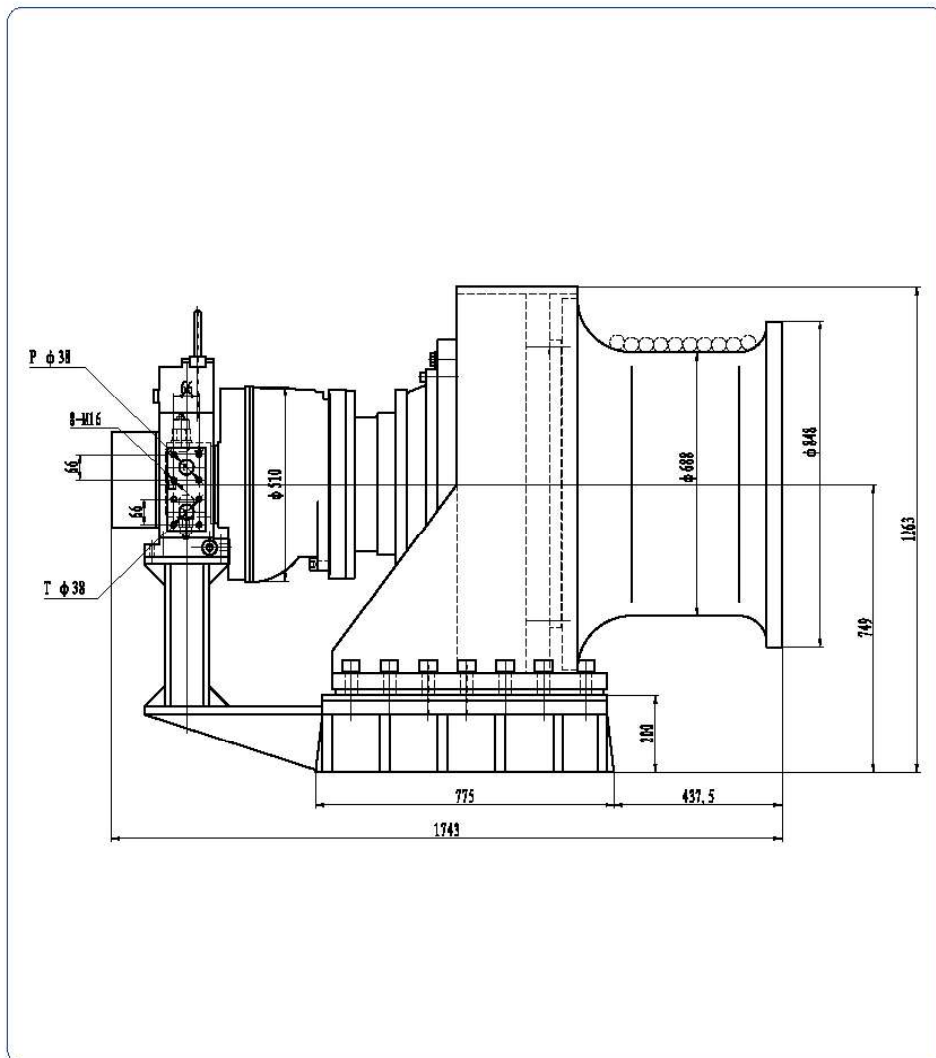


型号 Model	系统负载 System load (KN)	公称速度 Nominal speed (m/min)	钢丝绳直径 Diameter of rope (mm)	工作压差 Working pressure differential (MPa)	总排量 Displacement (ml/r)	供油流量 Oil supply (L/min)	液压马达型号 Hydraulic motor model	齿轮箱型号 Planetary gearbox model
IYJP45-120	120	12	30	14	17248	138	INM4-600D90+F480221	C45 (I=28)
IYJP45-140	140	12	32	16	17248	138	INM4-600D90+F480221	C45 (I=28)
IYJP45-150	150	12	32	14	22204	177	INM4-800D90+F480221	C45 (I=28)
IYJP45-160	160	12	34	15	22204	177	INM4-800D90+F480221	C45 (I=28)

注：当3位4通换向阀需要“O”或“M”机能时马达与双向平衡阀之间必须设置双向缓冲过载荷阀。

Note: When the neutral position function of 3/4 directional valve is "o" or "M" type, crossover relief valve should be setted between hydraulic motor and bi-counterbalance valve.

IYJP79

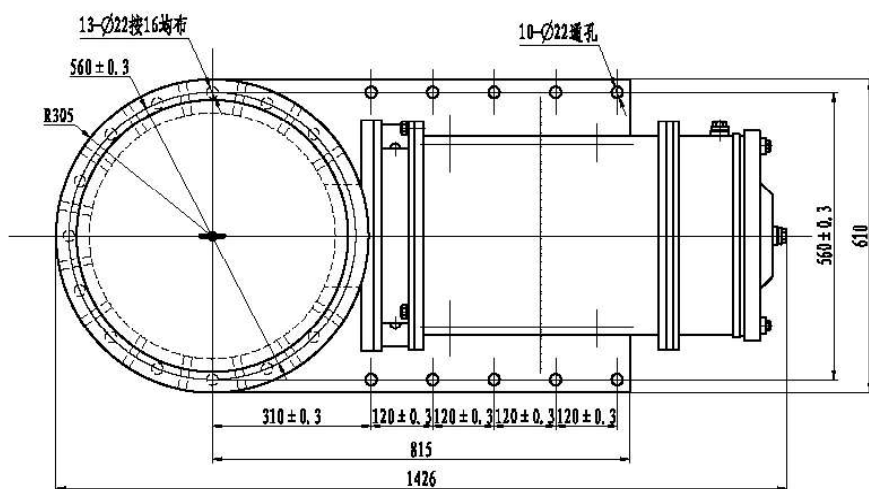
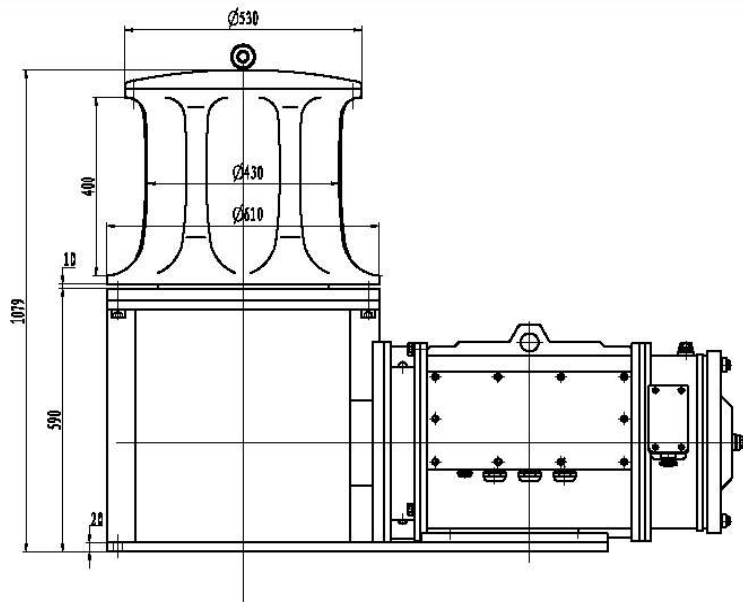


型号 Model	系统负载 System load (KN)	公称速度 Nominal speed (m/min)	钢丝绳直径 Diameter of rope (mm)	工作压力差 Working pressure differential (MPa)	总排量 Displacement (ml/r)	供油流量 Oil supply (L/min)	液压马达型号 Hydraulic motor model	齿轮箱型号 Planetary gearbox model
IYJP79-240	240	10	36	14	46794	229	INM6-2000D90+F	C79 (I=22)
IYJP79-260	260	10	36	13	55286	270	INM6-2500D90+F	C79 (I=22)
IYJP79-280	280	10	38	11.5	66902	326	INM6-3000D90+F	C79 (I=22)
IYJP79-300	300	10	38	12.5	66902	326	INM6-3000D90+F	C79 (I=22)

注：当3位4通换向阀需要“O”或“M”机能时马达与双向平衡阀之间必须设置双向缓冲过载荷。

Note: When the neutral position function of 3/4 directional valve is "o" or "M" type, crossover relief valve should be setted between hydraulic motor and bi-counterbalance valve.

IDJP23

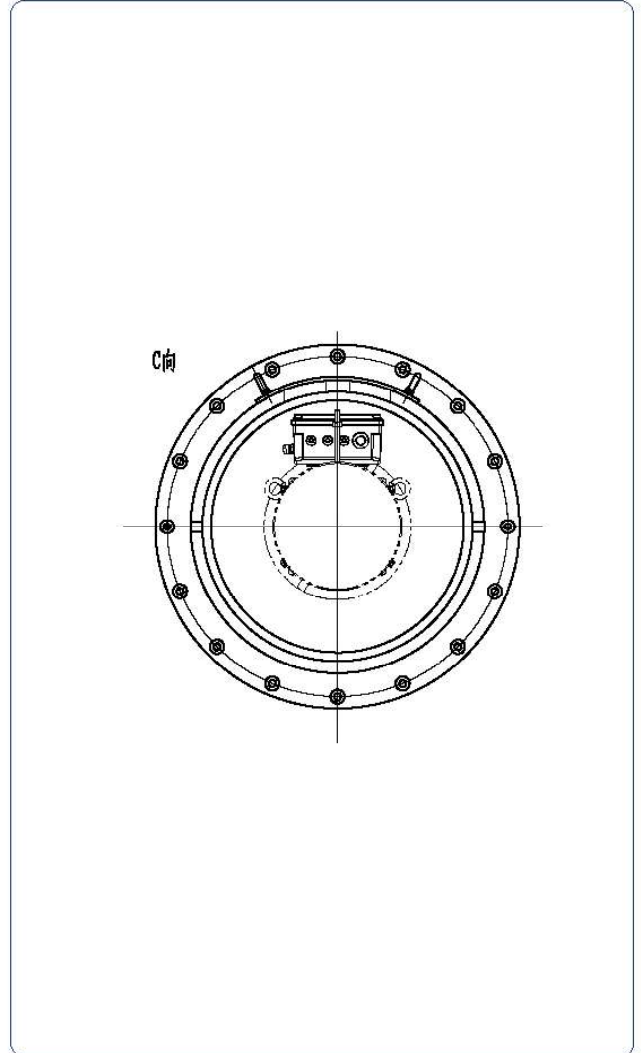
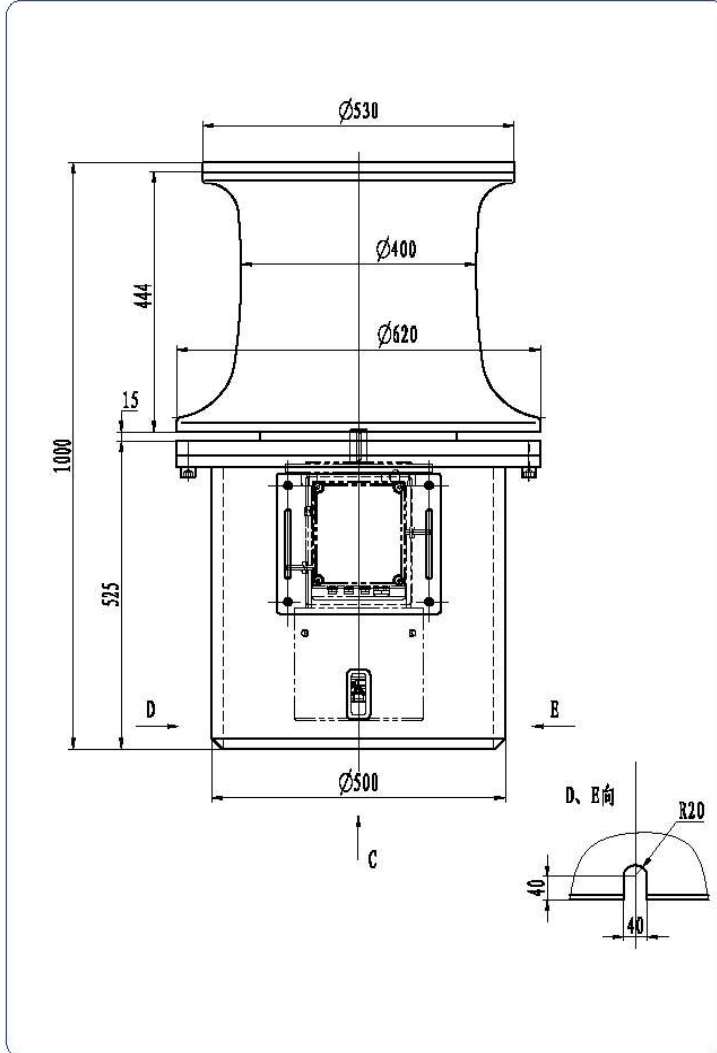


型号 Model	系统负载 System load (KN)	公称速度 Nominal speed (m/min)	钢丝绳直径 Diameter of rope (mm)	电机型号 Model of electromotor	电制 Parameter of electromotor		减速器 传动比 Ratio	电机功率 Power (KW)
					电压(V) Volt (V)	频率(Hz) Frequency (Hz)		
IDJP23-25/50	25/50	38.5/18.5	36	Y2225S-4/8-H	380	50	53.95	16.8/16.8

注： 1. 表格里的外形尺寸均不包括电机尺寸，用户若所配的电机特殊，则联接部分的过度板和连接套需特殊加工。

Note: 1. The dimension of general electric motor is included in above installation drawing.
If fitted electric motor is specific, the connection dimension is also changed.

IDJP222

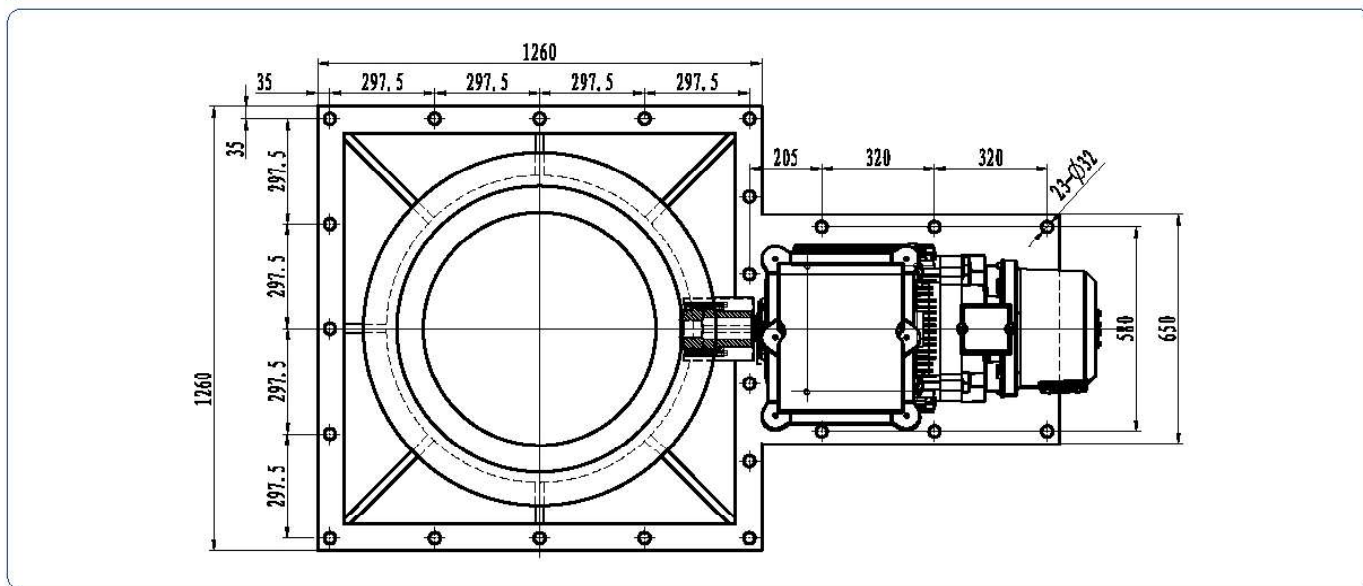
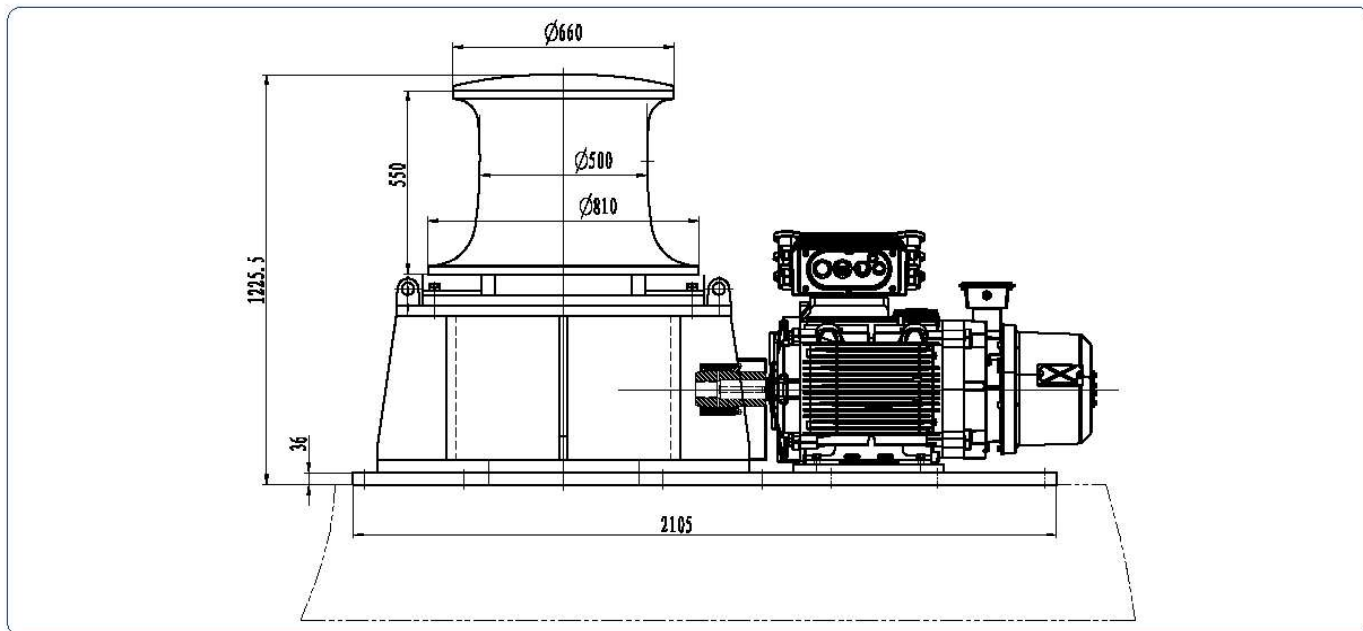


型号 Model	系统负载 System load (KN)	公称速度 Nominal speed (m/min)	钢丝绳直径 Diameter of rope (mm)	电机型号 Model of electromotor	电机 Parameter of electromotor		减速器 传动比 Ratio	电机功率 Power (KW)
					电压 (V) Volt (V)	频率 (Hz) Frequency (Hz)		
IDJP222-9.8	9.8	15	40	LS112	380	60	163	3

注: 1. 表格里的外形尺寸均不包括电机尺寸, 用户若所配的电机特殊, 则联接部分的过度板和连接套需特殊加工。

Note: 1. The dimension of general electric motor is included in above installation drawing.
If fitted electric motor is specific, the connection dimension is also changed.

IDJP445

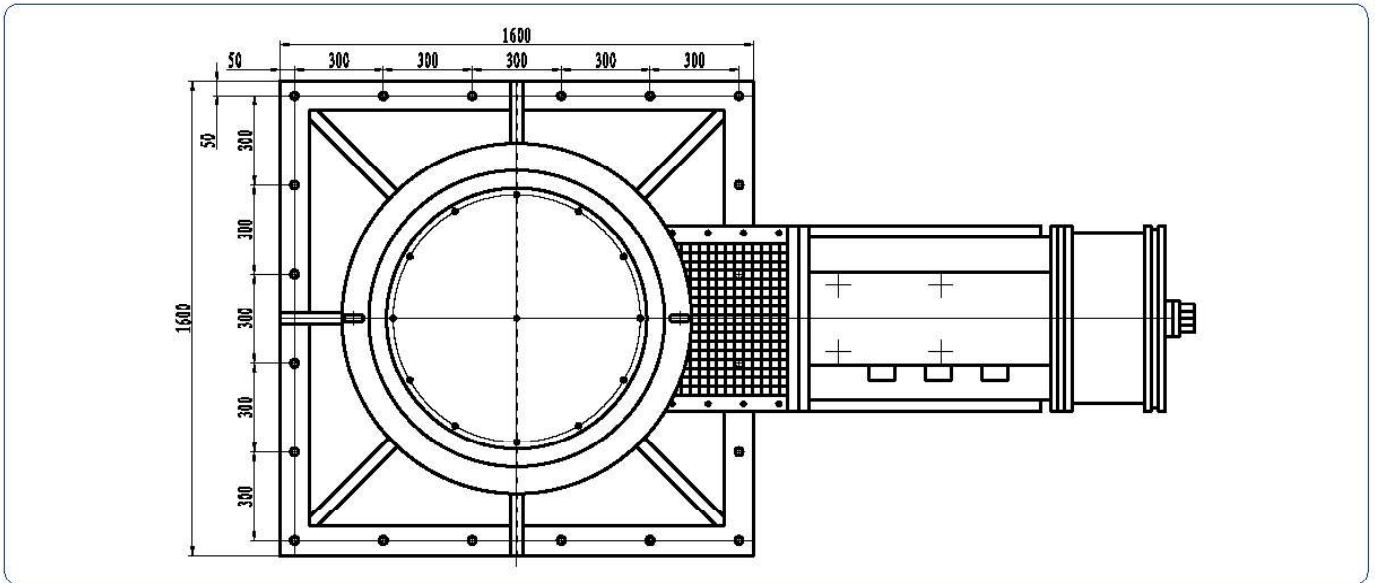
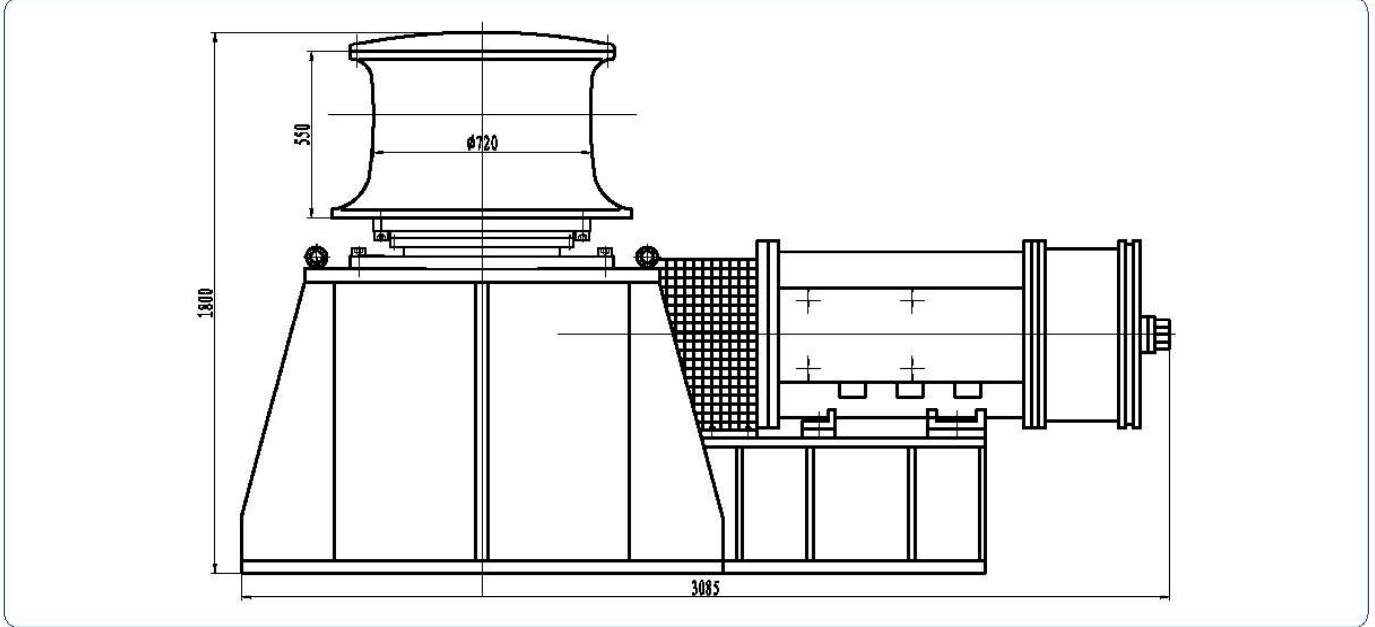


型号 Model	系统负载 System load (KN)	公称速度 Nominal speed (m/min)	钢丝绳直径 Diameter of rope (mm)	电机型号 Model of electromotor	电制 Parameter of electromotor		减速器 传动比 Ratio	电机功率 Power (KW)
					电压 (V) Volt (V)	频率 (Hz) Frequency (Hz)		
IDJP445-98	98	25	36	FLS25SM	440	60	116.325	51

注： 1. 表格里的外形尺寸均不包括电机尺寸，用户若所配的电机特殊，则联接部分的过度板和连接套需特殊加工。

Note: 1. The dimension of general electric motor is included in above installation drawing.
If fitted electric motor is specific, the connection dimension is also changed.

IDJP899



型号 Model	系统负载 System load (kN)	公称速度 Nominal speed (m/min)	钢丝绳直径 Diameter of rope (mm)	电机型号 Model of electromotor	电制 Parameter of electromotor		减速机 传动比 Ratio	电机功率 Power (kW)
					电压 (V) Volt (V)	频率 (Hz) Frequency (Hz)		
IDJP889-300	300	20	40	YZ315L-4/8/16-H	415	50	89	135

注： 1. 表格里的外形尺寸均不包括电机尺寸，用户若所配的电机特殊，则联接部分的过度板和连接套筒需特殊加工。

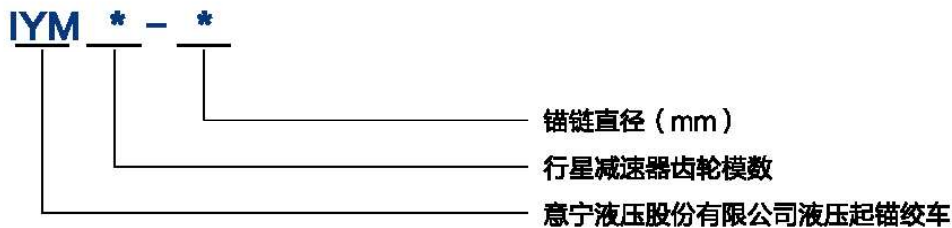
Note: 1. The dimension of general electric motor is included in above installation drawing.
If fitted electric motor is specific, the connection dimension is also changed.

● IYM系列液压起锚绞车

1. 概述

IYM 系列液压起锚绞车由具有制动和过载保护功能的阀组，液压马达、行星减速器、液压（手动）带式制动器、液压（手动）牙嵌式离合器、机架等部件组成。由于绞车自带阀组，它不但简化了液压系统而且提高了传动装置的工作可靠性,并可以使IYM系列绞车在提升和下放工作中运转均相当平稳，除此，它还具有起动和工作时效率高、能耗少、噪音低、外形美观、尺寸紧凑、经济性好等特点。本产品已广泛用于各式船舶中。

2. 型号说明



3. 型号举例

IYM4-φ32 表示此绞车的行星减速器模数为4，锚链直径为32mm。

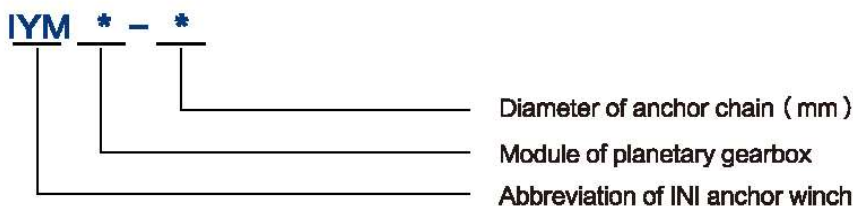
● IYM series hydraulic anchor winch

1. Brief introduction

IYM series hydraulic anchor winches consist of valve block with braking and overload protection function, hydraulic motor, planetary gearbox, hydraulic/manual band brake, hydraulic/manual jaw clutch, frame and etc.

The winch is fitted with valve block. It not only simplifies the hydraulic system, but also improves the reliability of transmission drive, makes the winches running smoothly during hoisting and lowering. In addition, the winches feature high start-up efficiency and working efficiency, low noise and energy consumption, and compact design and good economic value. They have been widely used on various vessels.

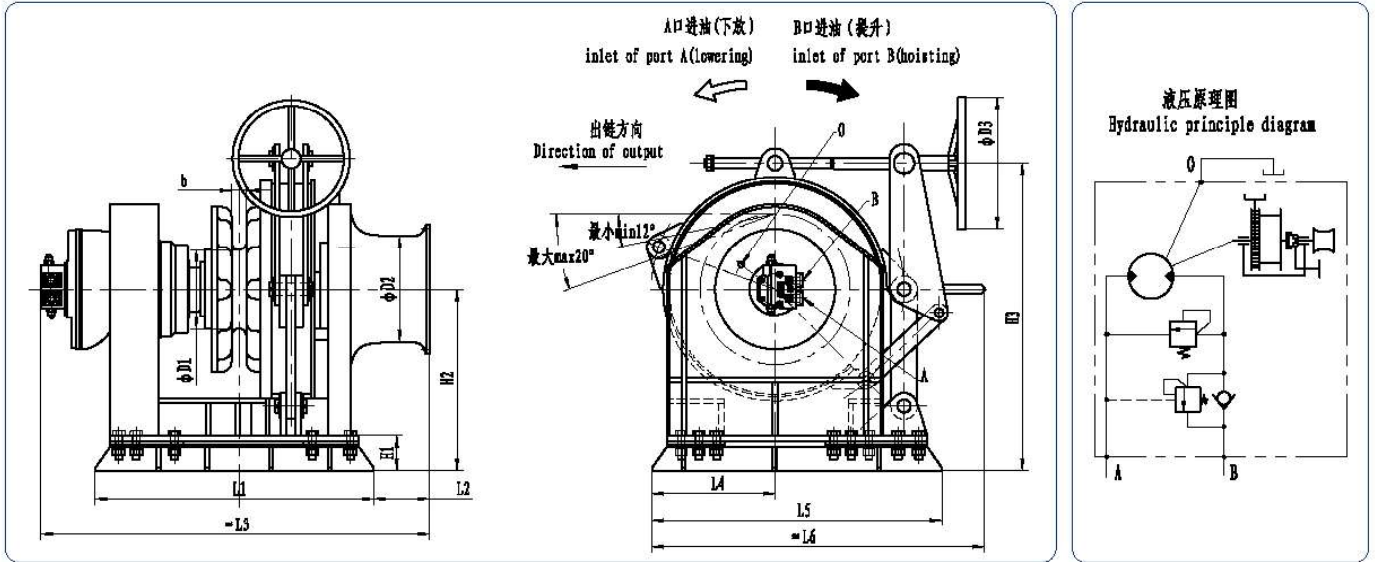
2. Model options



3. Example:

Model no IYM4- ϕ 32 means the module of the planetary gearbox is 4, and diameter of anchor chain is 32mm.

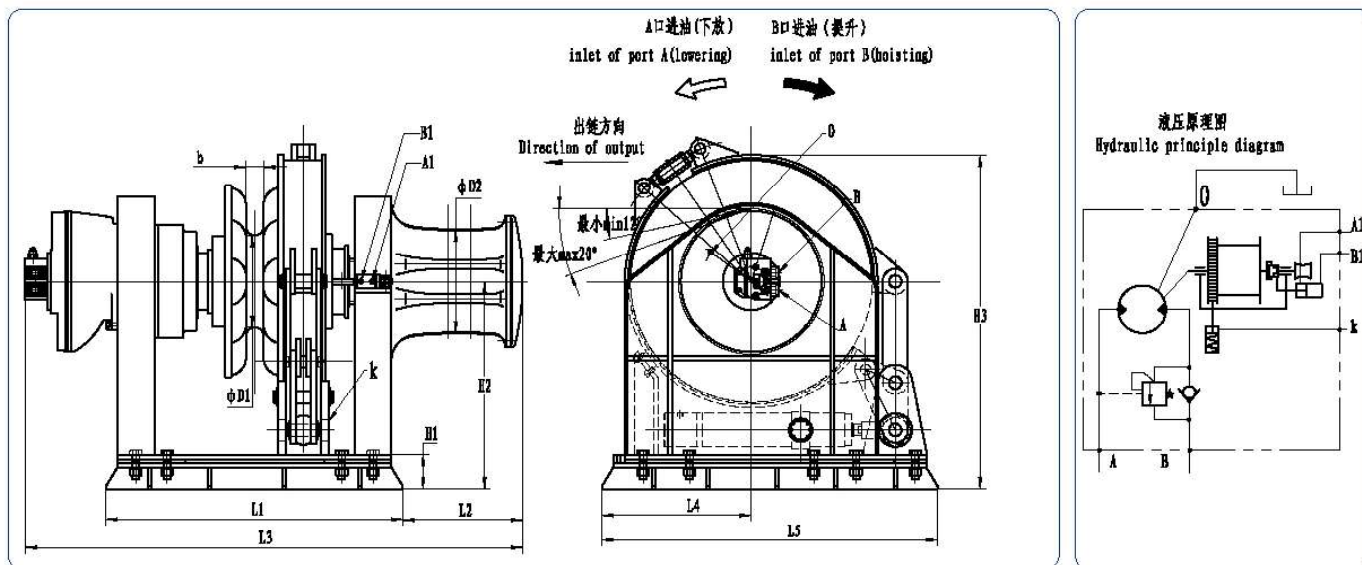
● IYM



型号 model	工作负载 working load (KN)	过载拉力 overload pull (KN)	支持负载 holding load (KN)	起锚速度 nominal speed of winch (m/min)	抛锚深度 anchorage (m)	总排量 Total displacement (mL/r)	工作压力 Rated Pressure (mL/r)	供油流量 Supply oil flow (L/min)	锚链直径 chain diameter (mm)
IYM2.5-φ16	10.9	16.4	>67	>9	<82.5	860.5	16	20	16
IYM2.5-φ17.5	13	19.5	>80	>9	<82.5	1050.5	15	14	17.5
IYM3-φ22	20.6	30.9	>126	>9	<82.5	3107.5	15	31	22
IYM4-φ30	38.3	57.5	>231	>9	<82.5	6580	14	46	30

型号 model	φD1 (mm)	φD2 (mm)	φD3 (mm)	b (mm)	L1 (mm)	L2 (mm)	L3 (mm)	L4 (mm)	L5 (mm)	L6 (mm)	H1 (mm)	H2 (mm)	H3 (mm)	O	A. B
IYM2.5-φ16	144	200	250	28	570	196	895	220	515	620	90	335	550	G1/4"	M22x1.5
IYM2.5-φ17.5	157	200	250	31	570	196	895	220	515	620	90	335	550	G1/4"	M22x1.5
IYM3-φ22	198	300	280	39	705	182	1052	280	645	750	115	425	694	G1/2"	M22x1.5
IYM4-φ30	270	360	450	51	950	191	1327	420	990	1050	120	620	1050	G1/2"	φ35

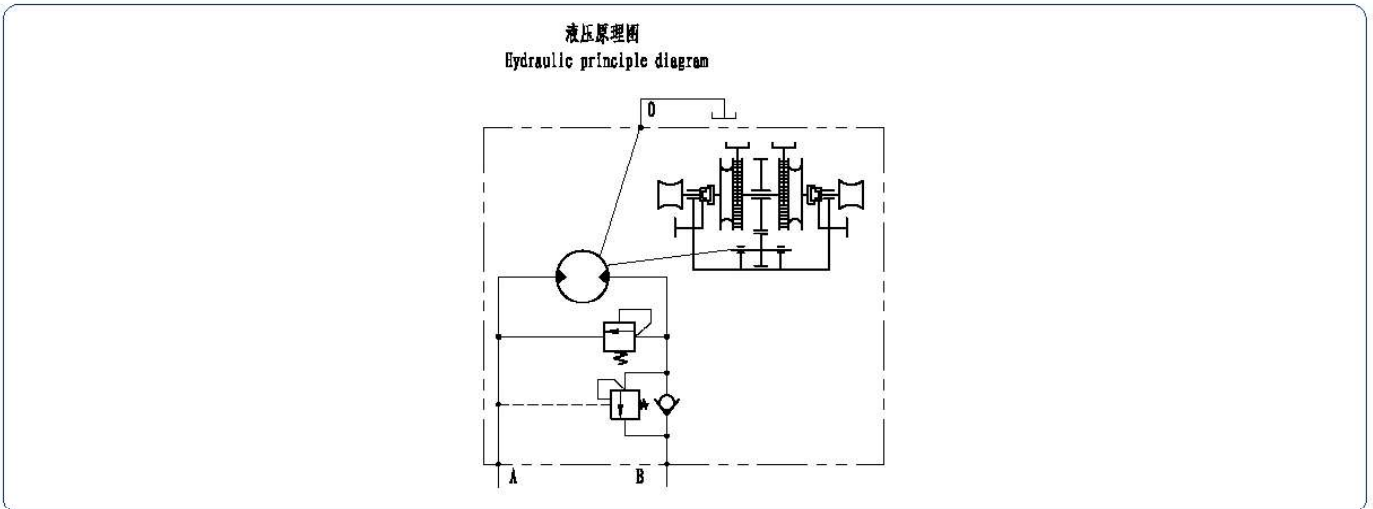
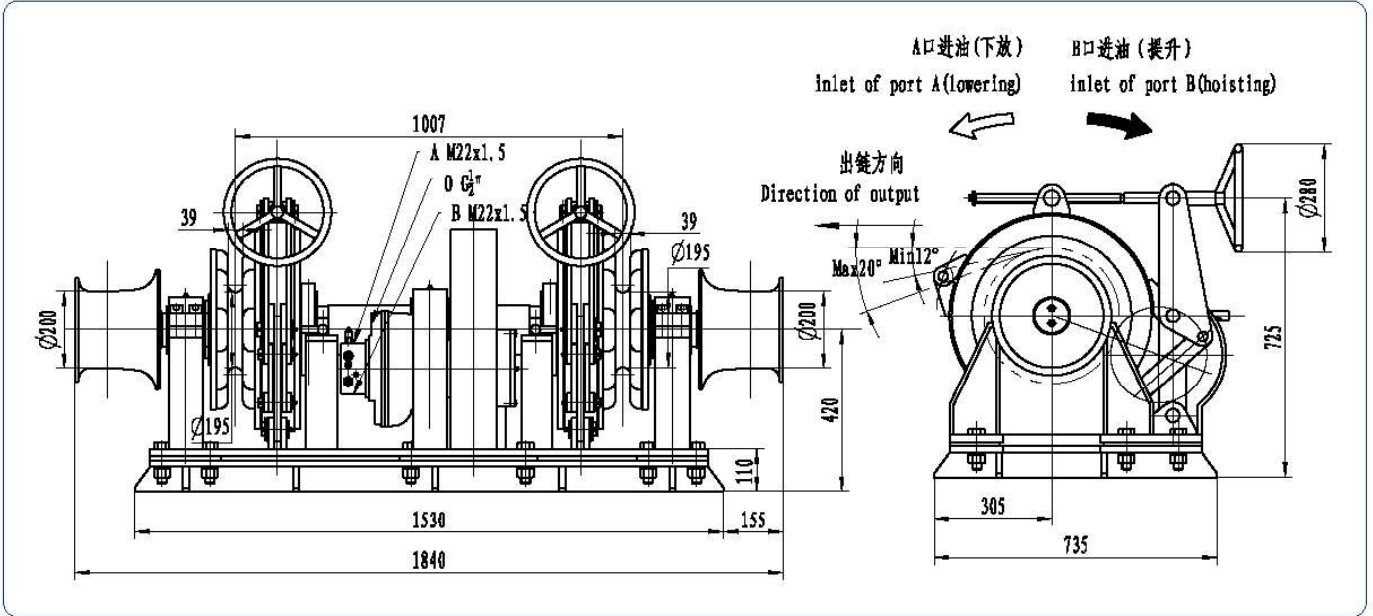
● IYM



型号 model	工作负载 working load (KN)	过载拉力 overload pull (KN)	支持负载 holding load (KN)	起锚速度 nominal speed of winlass (m/min)	抛锚深度 anchorage (m)	总排量 Total displacement (mL/r)	工作压力 Rated Pressure (mL/r)	供油流量 Supply oil flow (L/min)	锚链直径 chain diameter (mm)
IYM4-φ32	43.5	65.3	>261	>9	<82.5	8170	12.5	53	32
IYM4-φ34	49.1	73.7	>294	>9	<82.5	8987	12.5	55	34
IYM5-φ36	55.1	82.7	>329	>9	<82.5	10035	14	60	36
IYM5-φ38	61.1	92.1	>365	>9	<82.5	12560	14	70	38
IYM6-φ40	68	102	>402	>9	<82.5	13821.5	14	72	40
IYM6-φ42	75	112.5	>442	>9	<82.5	16725.5	14	83	42

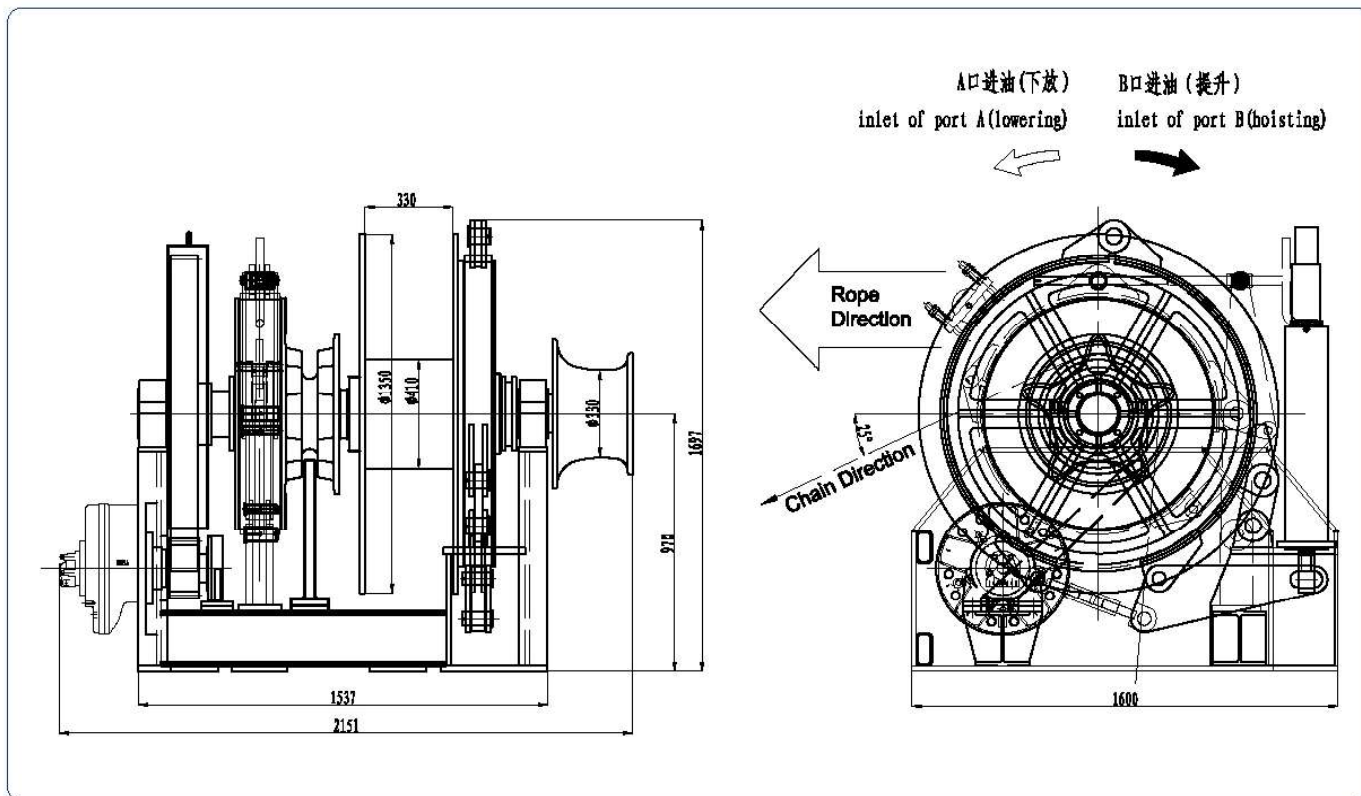
型号 model	φ1 (mm)	φ2 (mm)	b (mm)	L1 (mm)	L2 (mm)	L3 (mm)	L4 (mm)	L5 (mm)	H1 (mm)	H2 (mm)	H3 (mm)	K	A1、B1	0	A、B
IYM4-φ32	288	350	54	932	264	1470	460	1040	120	640	1022	M22x1.5	M14x1.5	G1/2"	φ35
IYM4-φ34	306	360	58	936	264	1474	460	1040	120	640	1022	M22x1.5	M14x1.5	G1/2"	φ35
IYM5-φ36	325	360	61	1045	421	1748	525	1180	120	730	1180	M22x1.5	M14x1.5	G1/2"	φ35
IYM5-φ38	342	360	64	1050	421	1805	525	1180	120	730	1180	M22x1.5	M14x1.5	G1/2"	φ35
IYM6-φ40	360	430	67	1091	421	1850	605	1350	120	805	1330	M22x1.5	M14x1.5	G1/2"	φ35
IYM6-φ42	378	430	70	1094	421	1853	605	1350	120	805	1330	M22x1.5	M14x1.5	G1/2"	φ35

● IYM8-2xφ22x6



型号 model	工作负载 working load (KN)	过载拉力 overload pull (KN)	支持负载 holding load (KN)	起锚速度 nominal speed of windlass (m/min)	抛锚深度 anchorage (m)	总排量 Total displacement (mL/r)	工作压力 Rated Pressure (mL/r)	供油流量 Supply oil flow (L/min)	锚链直径 chain diameter (mm)
IYM8-2xφ22x6	20.6	30.9	>126	>9	≤82.5	1938	17	31	22

● IYM ϕ 36



锚链主要技术参数

chain main Specification

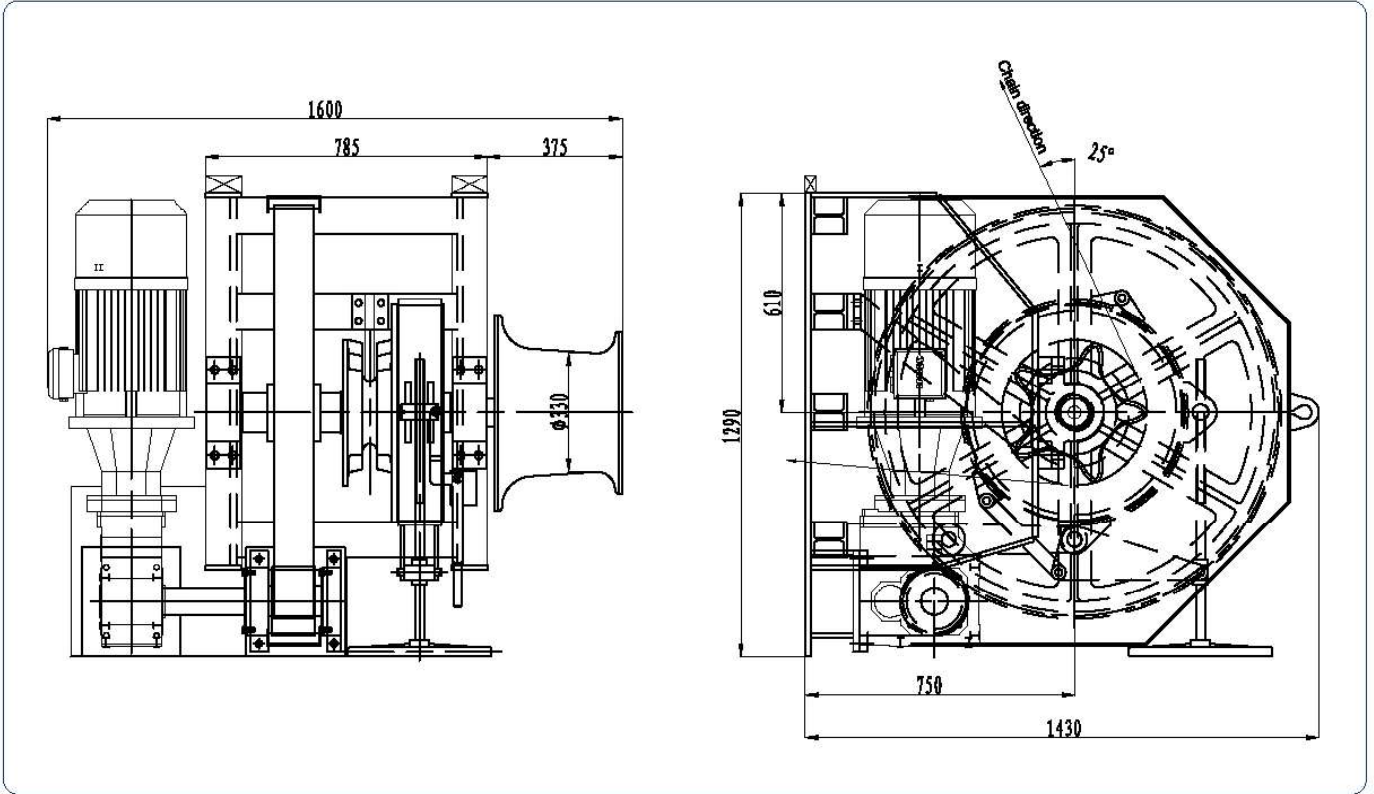
额定负载 Rate Load(kN)	100
功率 Power(Kw)	20
支撑负载 Hold On Load(kN)	340
锚链速度 Chain Speed(m/min)	12
锚链直径 Chain Diameter(mm)	36
额定压力 Rated Pressure(MPa)	20
液压马达型号 Hydraulic Motor Type	GM5-1600

绞车主要技术参数

Winch main Specification

第一层拉力 Rated working pull 1st layer(kN)	100
第一层绳速 Speed 1st layer(m/min)	15
系统压力 System rated pressure(MPa)	20
钢丝绳直径 Diameter of rope(mm)	36
层数 Number of rope layers	100
容绳量 Capability of drum(m)	220
供油流量 Pump flow(L/min)	100($\eta v=0.9$)

● IDM

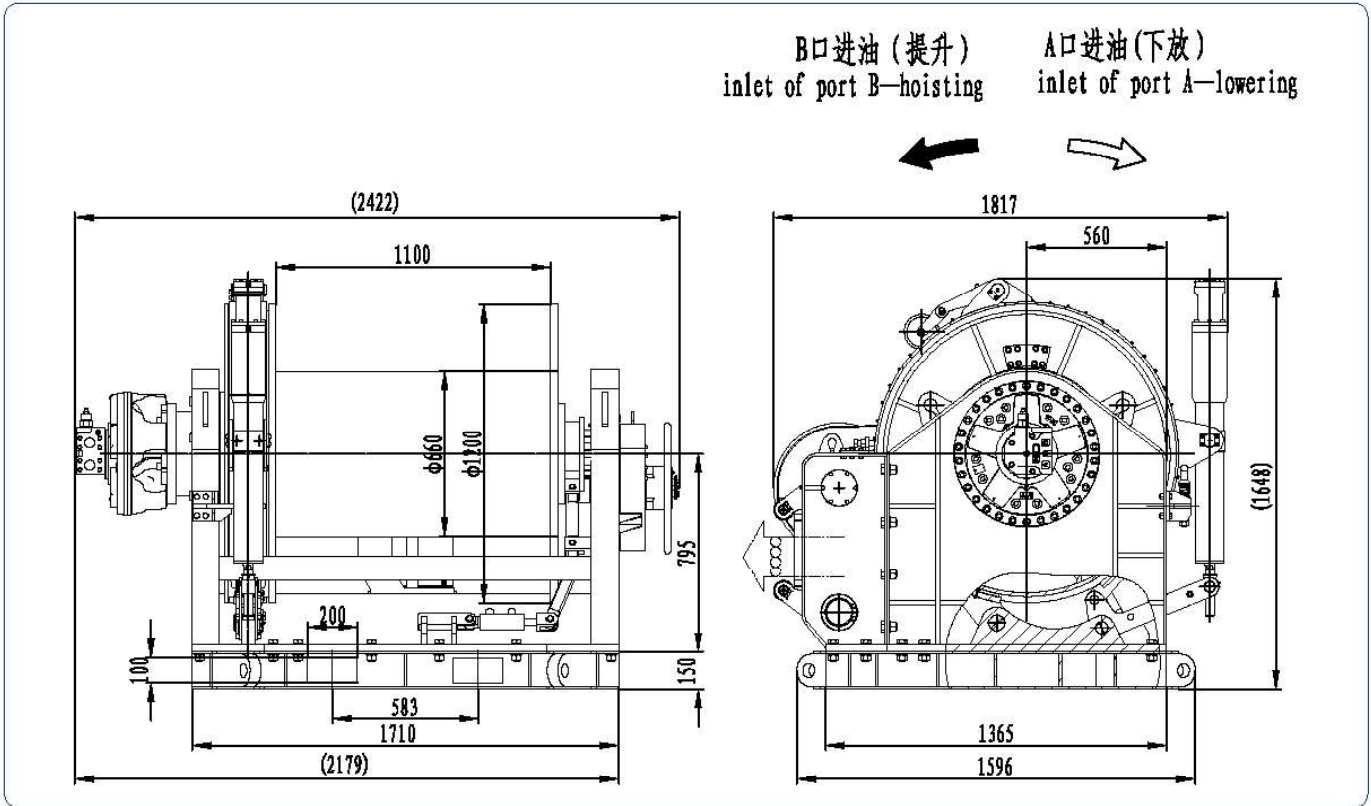


主要技术参数

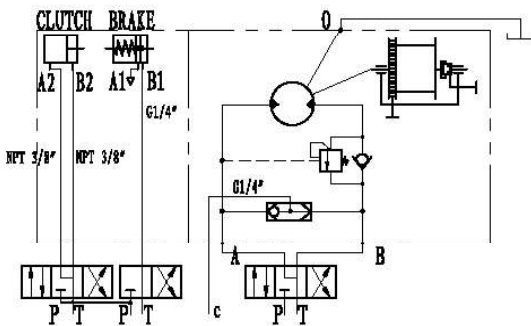
chain main Specification

额定负载 Rate Load (kN)	24.5
功率 Power (Kw)	7.5
最大负载 OverLoad (kN)	36
支撑负载 Hold On Load (kN)	15.2
锚链速度 Chain Speed (m/min)	10
锚链直径 Chain Diameter (mm)	24 (AM2)
电机 Electric Motor	7.5KV (415/ 3ph/50HZ)

IYJ56-200-268-41-C-PDL



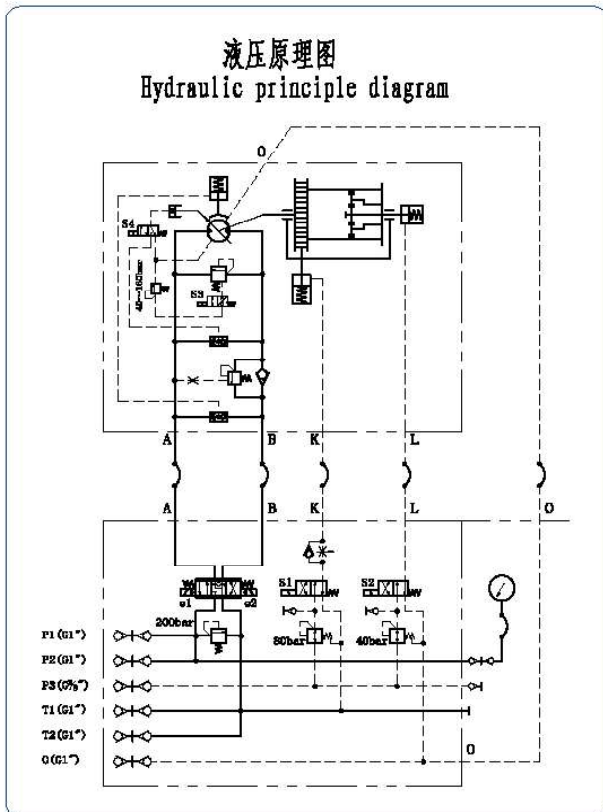
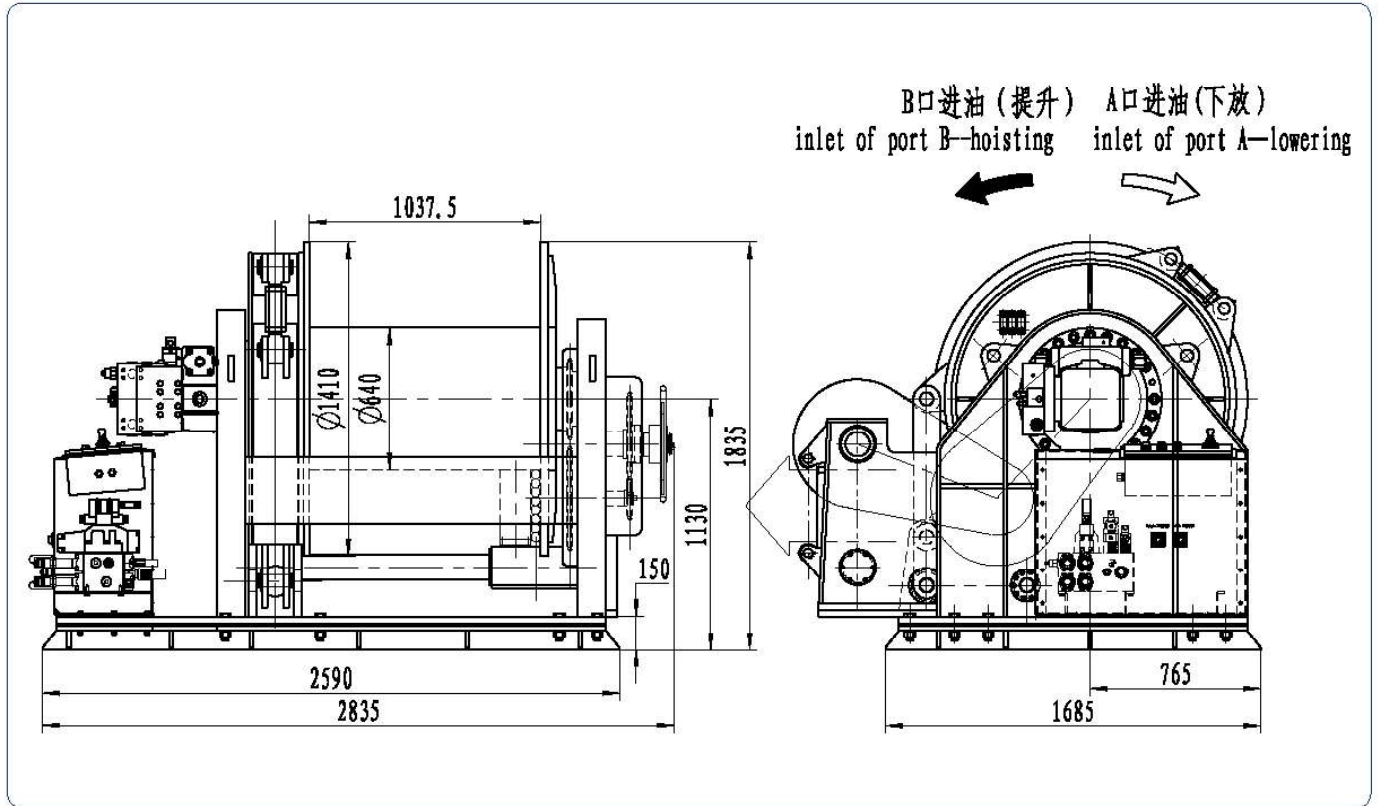
液压原理图
Hydraulic principle diagram



绞车主要技术参数
Winch main Specification

第一层拉力	Rated working pull 1st layer (kN)	200
第一层绳速	Speed 1st layer (m/min)	12
总排量	Drum displacement (mL/r)	40936
系统压力	System rated pressure (MPa)	15.5
钢丝绳直径	Diameter of rope (mm)	41
层数	Number of rope layers	4
容绳量	Capability of drum (m)	268
供油流量	Pump flow (L/min)	248 ($\eta_v=0.9$)
液压马达型号	Hydraulic motor type	INM5-1450D480101
减速器型号	Planetary gearbox type	C56 (i=28)

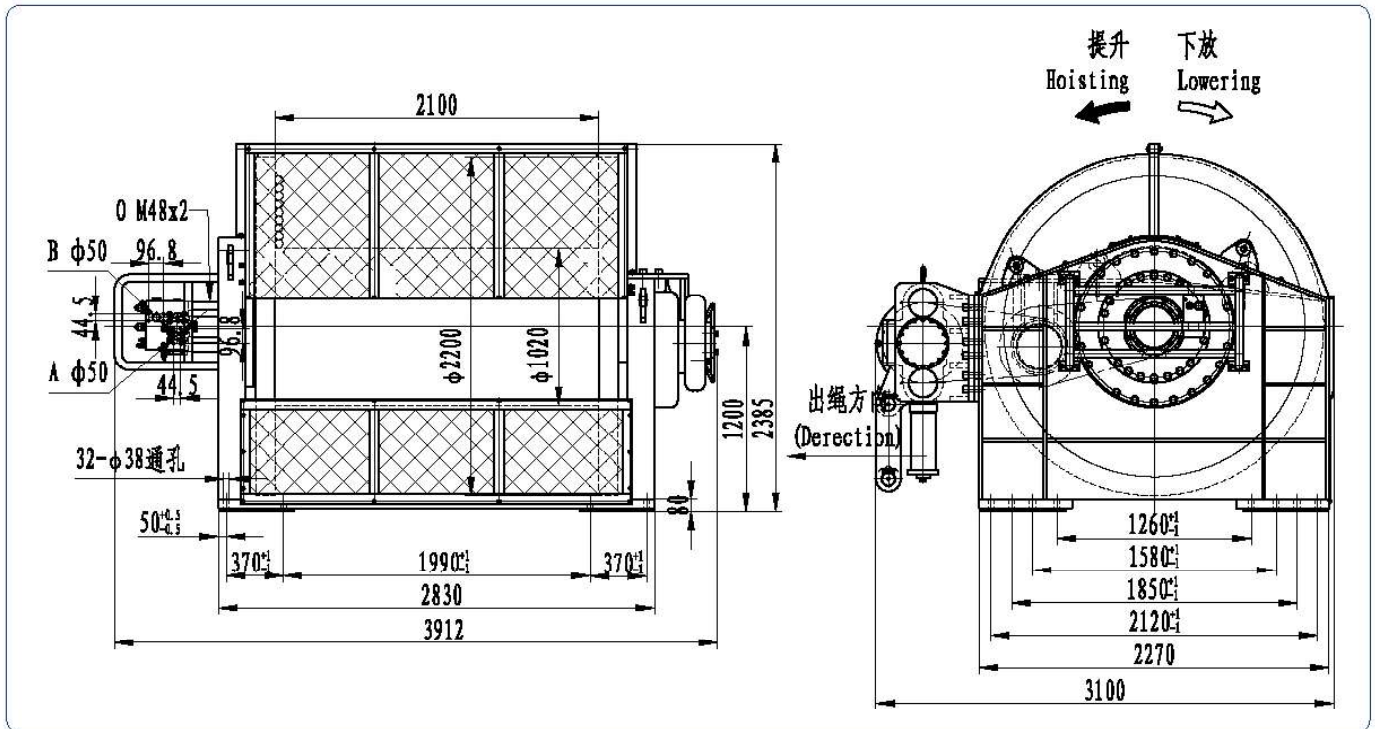
IYJ477-500-600-40-ZPDLB



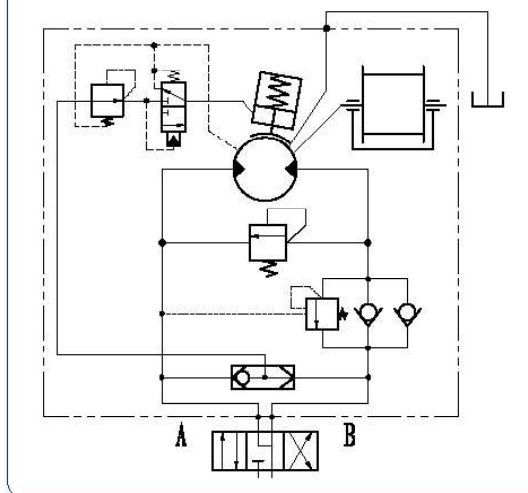
绞车主要技术参数
Winch main Specification

第一层额定拉力 Rated working pull on first layer(t)	50	35
第一层绳速 Nominal speed at first layer(m/min)	5.3	7
卷筒排量 Drum displacement (L/r)	62.75	47.188
支持负载 Support load(t)	100	
系统额定压力 System rated pressure(Bar)	235	
钢丝绳直径 Diameter of rope (mm)	40 ^{+0.8} ₀	
层数 Number of rope layers	8	
容绳量 Capability of drum(m)	600	
泵供油流量 Pump flow(L/min)	173(ηv=0.9)	
液压马达型号Hydraulic motor type	HL-A4VSM250DZ/30W-VZB10N00-YN	
减速器型号Planetary gearbox type	IGC180W3-B251-A4VSM250(i=251)	

800KN绞车



液压原理图 (Hydraulic principle diagram)



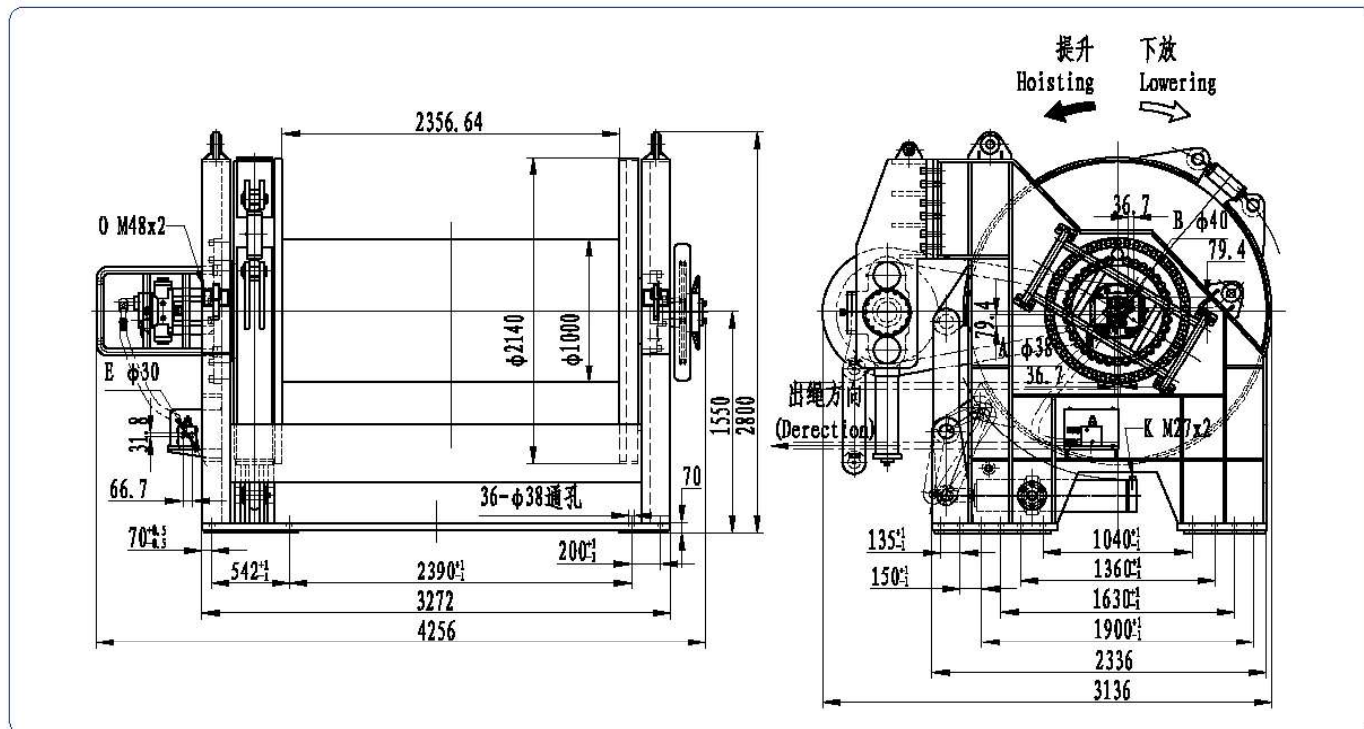
主要技术性能参数 (Main Specification)

第一层额定拉力 Rated full on the 1st layer (kN)	800
第一层额定绳速 Rated speed on the 1st layer (m/min)	20
卷筒总排量 Total displacement (mL/r)	129650
系统额定压力 System pressure (MPa)	28
液压马达工作压差 Diff. pressure (MPa)	26
适用钢丝绳直径 Rope diameter (mm)	52
钢丝绳层数 Number of rope layers	9
容绳量 Drum capacity (m)	1600
泵的理论流量 Pump flow (L/min)	856
马达型号 Motor type	HL-A4FM500-02
减速机型号 Gearbox type	IGC550W3-B259 (i=259.3)

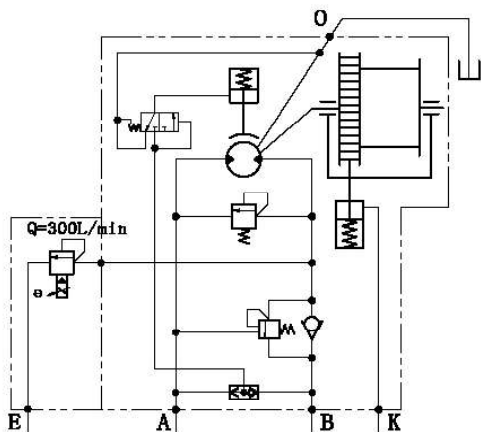
- 注: 1. 总排量为卷筒每转一转的供油量; 工作压差为绞车工作时A、B两进出口的压力差;
2. 供油流量是泵的理论流量, 即在考虑系统容积效率为0.9的情况下计算所得;
3. 容绳量为绞车的理论容绳量, 实际允许的有效容绳量应考虑保留钢丝绳3米以防绳头脱出;
4. 当系统压力超过16MPa时, 进入制动器处应设置减压阀; 对系统回油背压大于1MPa时, 制动器控制回路应设置两位三通顺序阀, 使制动工况时, 制动器油缸直接通油箱;
5. 本系列绞车可带压绳机构及最后三圈钢丝绳防脱绳报警装置(此项为选项, 用户订货自选)

- Note: 1. Total displacement represents the capacity of oil supply per revolution; Working pressure difference represents the pressure drop between Port A and Port B.
2. Flow of oil supply indicates theoretical flow of pump when the volumetric efficiency considered as 90 percent.
3. Capacity of rope is theoretical capacity of rope. The practical available capacity of rope should subtract the retained 3m wire in case of rope head is out of hand.
4. The reducing valve should be setted in brake control circuit if system pressure is above 16MPa. When return oil back pressure is higher than 1MPa, setting 2/3 sequence valve to promise oil in brake cylinder directly conduct to tank in braking function.
5. Fitted with pressure roller and alarm device for ensuring 3 dead wraps of cable on the drum. (the item as option)

100KN绞车



液压原理图 (Hydraulic principle diagram)



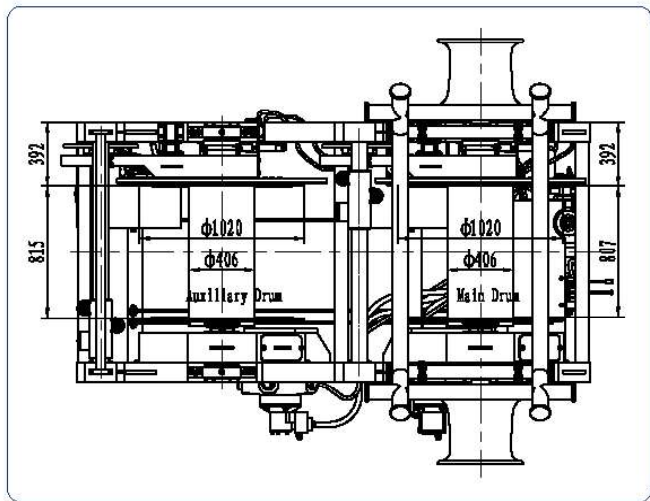
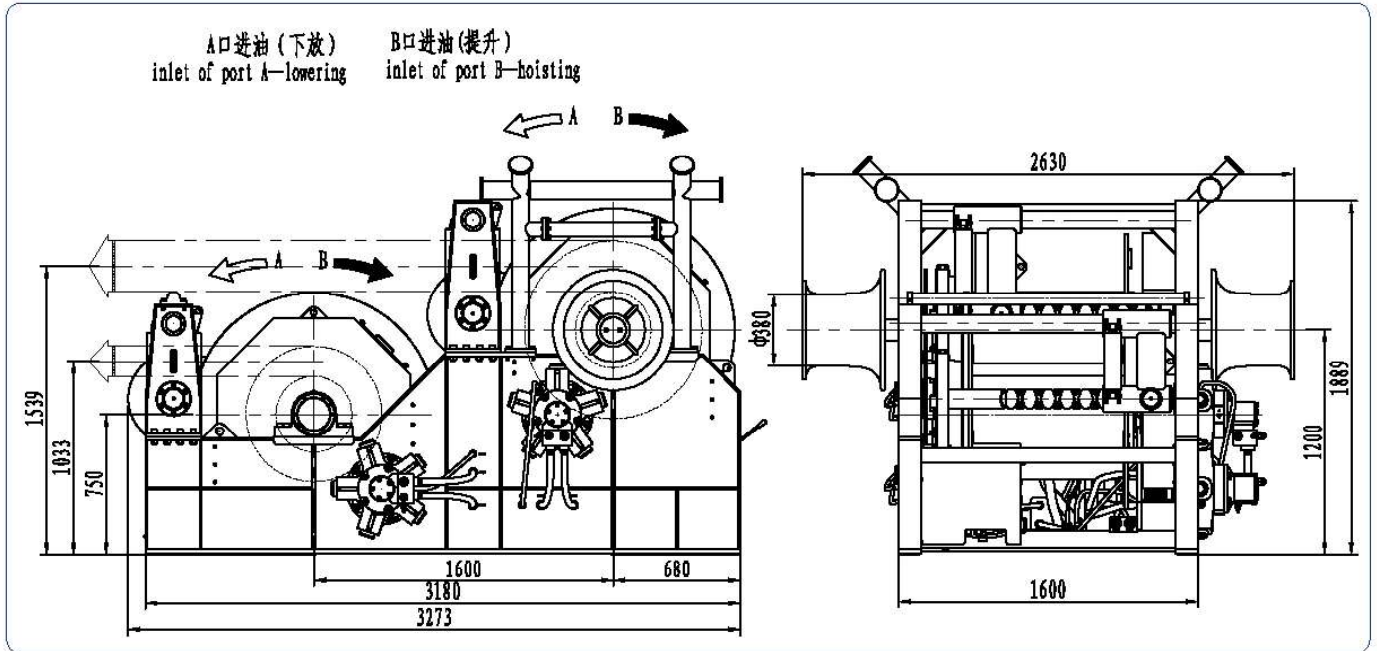
主要技术性能参数 (Main Specification)

第一层额定拉力 Rated full on the 1st layer (kN)	1000
第一层额定绳速 Rated speed on the 1st layer (m/min)	7
卷筒总排量 Total displacement (mL/r)	131500
系统额定压力 System pressure (MPa)	35
液压马达工作压差 Diff. pressure (MPa)	32
适用钢丝绳直径 Rope diameter (mm)	52
钢丝绳层数 Number of rope layers	9
容绳量 Drum capacity (m)	1800
泵的理论流量 Pump flow (L/min)	300
马达型号 Motor type	HL-A4FM500-01
减速机型号 Gearbox type	IGCS50W3-B263 (i=263)

- 注:
1. 总排量为卷筒每转一转的供油量; 工作压差为绞车工作时A、B两进出口的压力差;
 2. 供油流量是泵的理论流量, 即在考虑系统容积效率为0.9的情况下计算所得;
 3. 容绳量为绞车的理论容绳量, 实际允许的有效容绳量应考虑保留钢丝绳3米以防绳头脱出;
 4. 当系统压力超过16MPa时, 进入制动器处应设置减压阀; 对系统回油背压大于1MPa时, 制动器控制回路应设置两位三通顺序阀, 使制动工况时, 制动器油缸直接通油箱;
 5. 本系列绞车可带压绳机构及最后三圈钢丝绳防脱绳报警装置(此项为选项, 用户订货自选)

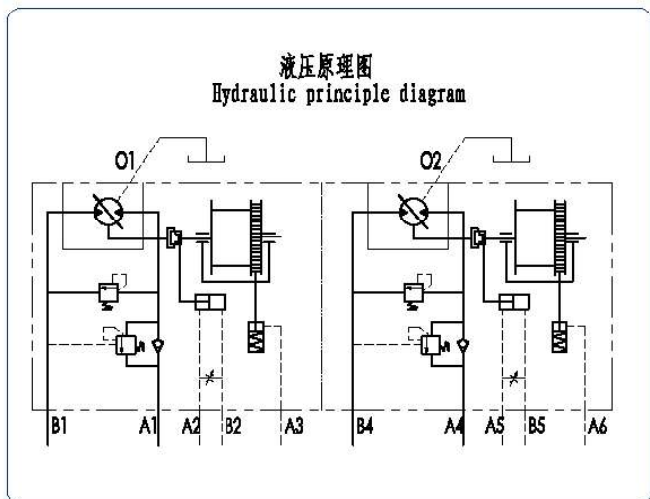
- Note:
1. Total displacement represents the capacity of oil supply per revolution; Working pressure difference represents the pressure drop between Port A and Port B.
 2. Flow of oil supply indicates theoretical flow of pump when the volumetric efficiency considered as 90 percent.
 3. Capacity of rope is theoretical capacity of rope. The practical available capacity of rope should subtract the retained 3m wire in case of rope head is out of hand.
 4. The reducing valve should be setted in brake control circuit if system pressure is above 16MPa. When return oil back pressure is higher than 1MPa, setting 2/3 sequence valve to promise oil in brake cylinder directly conduct to tank in braking function.
 5. Fitted with pressure roller and alarm device for ensuring 3 dead wraps of cable on the drum. (the item as option)

IYJ12-60-1700/800-16-ZLP-JP380



绞车主要技术参数
Winch main Specification

	主卷筒 Main Drum		辅卷筒 Auxiliary Drum	
	高速 High Speed	低速 Low Speed	高速 High Speed	低速 Low Speed
平均拉力 Average working pull (kN)	30	60	30	60
平均绳速 Average Speed (m/min)	50	25	50	25
总排量 Drum displacement (mL/r)	9388	18774	9388	18774
系统压力 System rated pressure (MPa)	24			
钢丝绳直径 Diameter of rope (mm)	16			
层数 Number of rope layers	17		10	
容绳量 Capability of drum (m)	1700		800	
供油流量 Pump flow (L/min)	394 ($\eta v=0.9$)			
液压马达型号 Hydraulic motor type	IMC100-1600/800-S2 (2x)			
第一层制动力(静态) kN Brake Holding @1st layer	60kN (static)			
传动比 Ratio	5.941			





合作伙伴





ini[®]

我们对卓越、创新和可持续发展有着不懈的承诺。我们的团队创造、分销和服务世界一流的产品，并提供可行的解决方案。

We have a relentless commitment to excellence, innovation and sustainability. Our team creates, distributes and services world-class products and drive solutions to keep the word in motion.

📍 浙江省宁波市北仑区坝头西路288号
No.288 west Batou road Ningbo P.R.China

☎ 0574-86300164
0574-86302674
0574-86302009

📠 0574-86115082

✉ ini@china-ini.com

🌐 www.china-ini.com

